

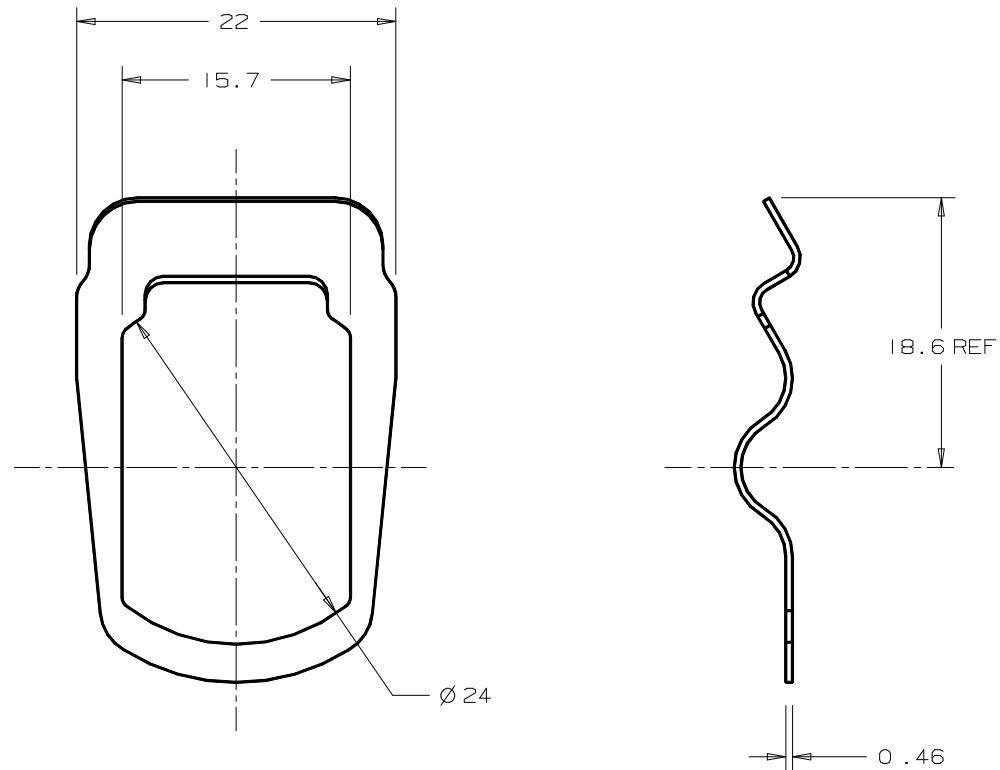


No. 93 EJECTOR SPRING

DATE	DRAWN	CHKD	SCALE	DRAWING NUMBER
28MAR95	MSB	JSS	2 : 1	J-93-22-302

REV.	DATE	BY-CHKD	REVISIONS	PART NUMBER	MATERIAL	FINISH			
				93-22-302-18	1065 STEEL	SEE NOTE "A"			

NOTE "A" - BLACK ORGANIC COATING.



FORMAT 3/88

PROPRIETARY ITEM - EXCEPT FOR USES EXPRESSLY GRANTED IN WRITING INFORMATION DISCLOSED HEREON IS CONFIDENTIAL AND ALL RIGHTS PATENT AND OTHERWISE ARE RESERVED BY **SOUTHCO, INC.**

ALL DIMENSIONS ARE IN MILLIMETERS
ALL DIMENSIONS WITHOUT TOLERANCES ARE REFERENCE.
THIRD ANGLE PROJECTION DRAWING.

DRAWING NUMBER
J-93-22-302