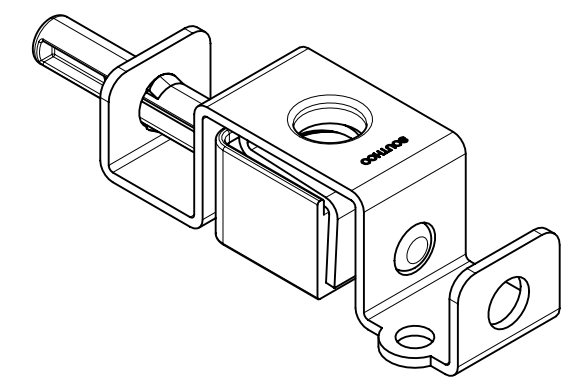
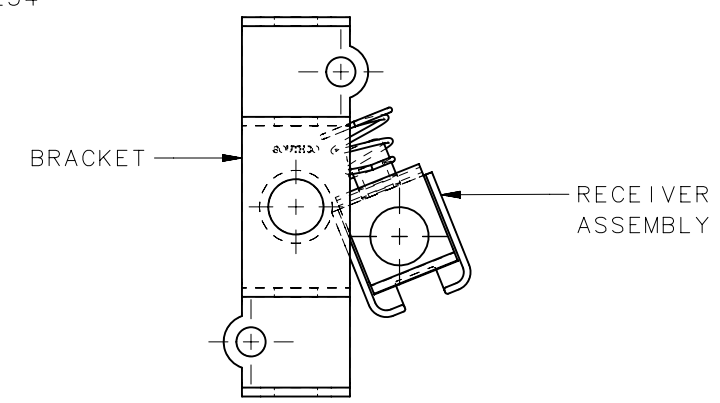
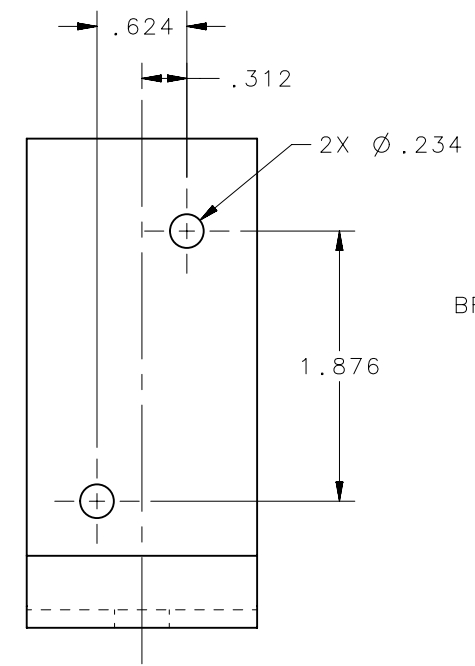
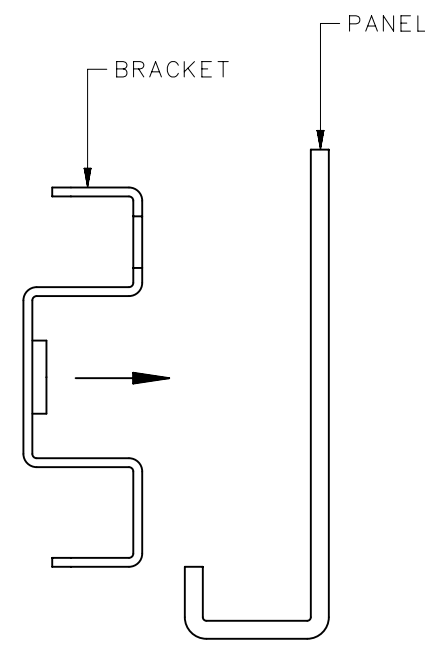


REVISION HISTORY			
REV	DATE	BY	DESCRIPTION
A	16JUL2012	ACH /JCK	PRN: P2014-2521

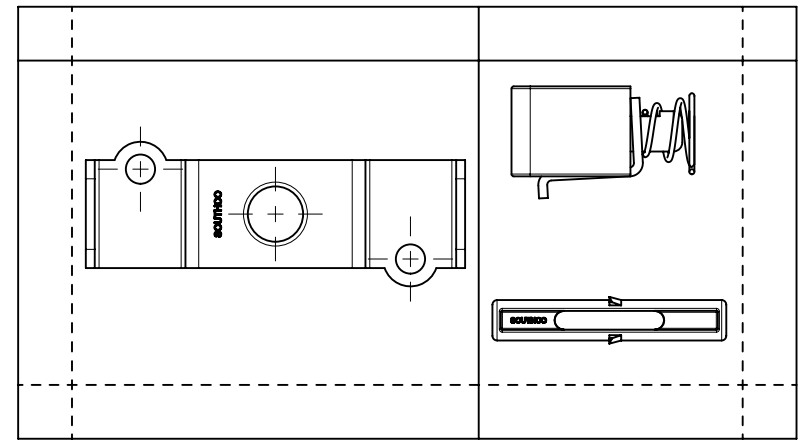
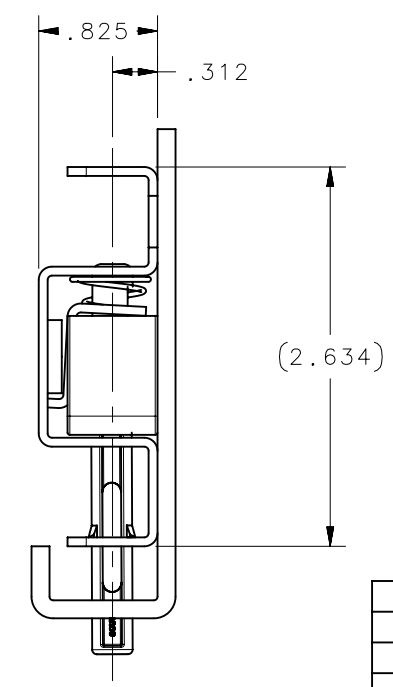
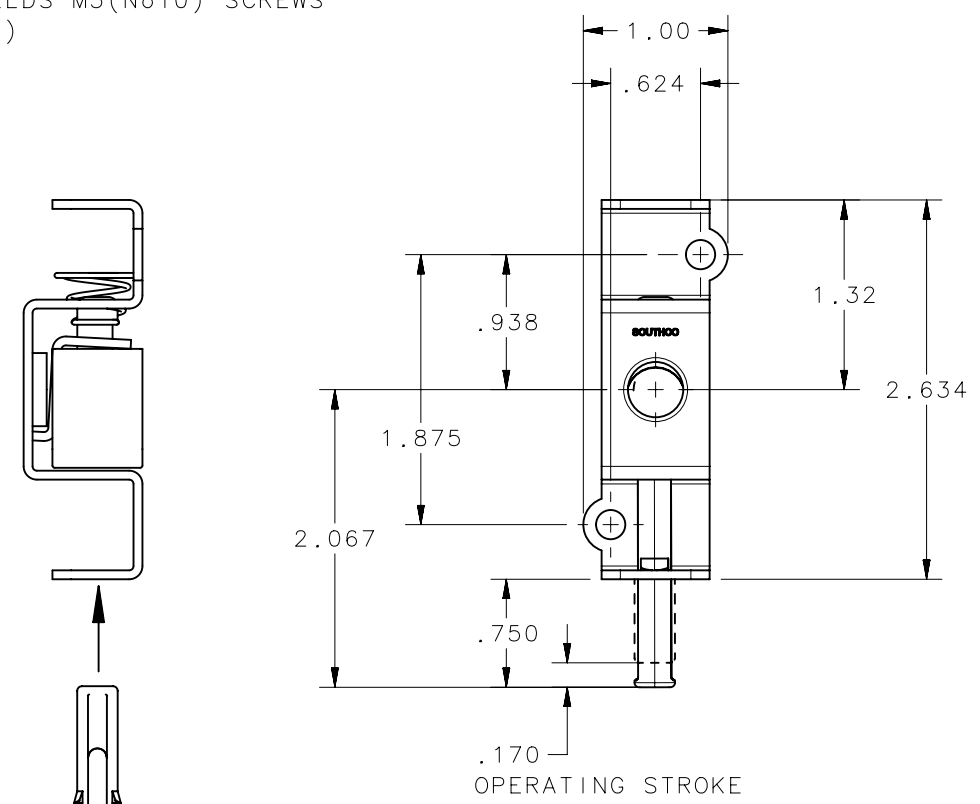


ASSEMBLED  
SCALE 1:1

SLIDE RECEIVER INTO  
SIDE OF UPPER BRACKET

BRACKET INSTALLATION:  
MOUNT BRACKETS ON INSIDE  
SURFACE OF YOUR PANEL USING  
STUDS, WELDS M5(N<sub>o</sub>10) SCREWS  
Ø5 (.188)

PANEL PREPARATION



AS PACKAGED

ACTUATOR BUTTON  
SNAP-IN ACTUATOR BUTTON

NOTE:  
A. THIS ASSEMBLY CAN BE MOUNTED NEAR  
EDGE OR REMOTE (SINGLE OR TWO POINT).

NO.	PART NUMBER	QTY	TYPE OF COMPONENT	MATERIAL	FINISH	GENERAL NOTES
4	E2-93-102	1	SUB-ASSEMBLY	-	-	
3	-	1	BRACKET	STEEL	ZINC PLATE	
2	-	1	RECEIVER SUB-ASSEMBLY	-	-	
1	-	1	BUTTON	POLYESTER	WHITE	

THIRD ANGLE PROJECTION					
INCHES [MM]					
SURFACE AREA		TOLERANCES UNLESS OTHERWISE NOTED		DESCRIPTION <b>PACKAGED E2 LATCH (REMOTE LATCHING)</b>	
VOLUME		ALL DIMENSIONS WITHOUT TOLERANCES ARE FOR REFERENCE ONLY.			
PROPRIETARY ITEM		SIZE	SYSTEM	DWG NO.	
EXCEPT FOR USES EXPRESSLY GRANTED IN WRITING, INFORMATION DISCLOSED HEREON IS CONFIDENTIAL AND ALL RIGHTS, PATENT AND OTHERWISE, ARE RESERVED BY SOUTHCO, INC.		B	NX	J-E2-93-102	
PER ASME Y14.5M-1994		DRAWN BY		DATE	SCALE
		NTC/AJH		21MAY2002	0.75:1
				SHEET	1 OF 1