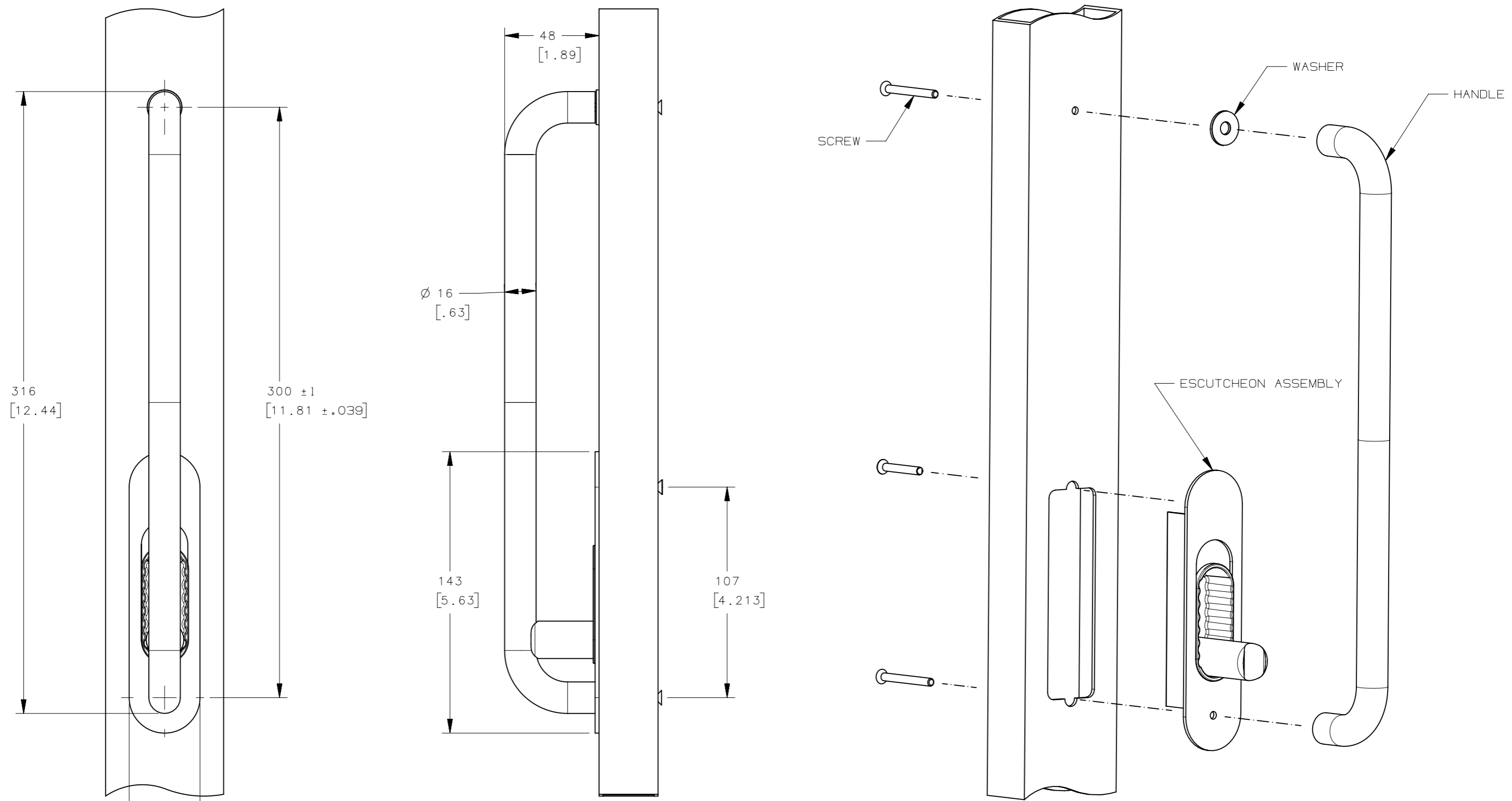


REVISION HISTORY			
REV	DATE	BY	DESCRIPTION
A	14MAR2018	ANT/MGG	PRN: P2018-0641

PART NUMBER

MM-7660

- NOTE:
- FOR PANEL PREPERATION SEE J-MM-7660 SHEET 2
 - SEE SOUTHCO MARINE HANDBOOK FOR MORE DETAILED INSTRUCTIONS.
 - SELECT SCREWS APPROPRIATE FOR DOOR THICKNESS AND DISCARD REMAINING SCREWS.



MATERIALS AND FINISH.

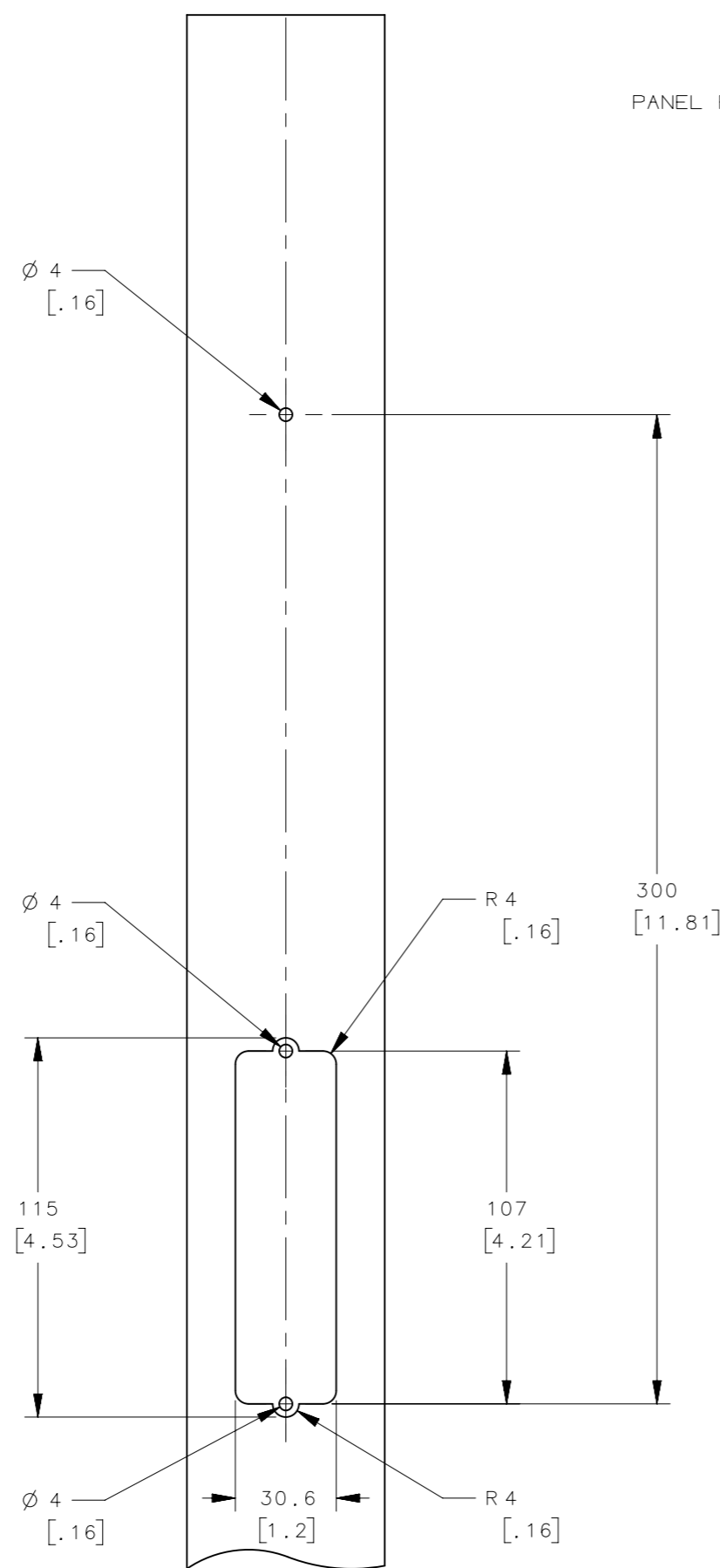
HANDLE: STAINLESS STEEL, CHROME
 ESCUTCHEON ASSEMBLY:
 ESCUTCHEON: BRASS, CHROME.
 HANDLE KNOB: ACETAL, BLACK.
 HANDLE: PA6.6 OR EQUIVALENT, BLACK.
 WASHER AND SCREWS: STAINLESS STEEL.

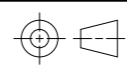

THIRD ANGLE PROJECTION	southco® CONNECT • CREATE • INNOVATE		
	MILLIMETERS [IN]		
TOLERANCES UNLESS OTHERWISE NOTED	DESCRIPTION HANDLE CHROME KIT HIGH SEAS HANDLE		
ALL DIMENSIONS WITHOUT TOLERANCES ARE FOR REFERENCE ONLY.	SIZE A3	SYSTEM NX	DWG NO. J-MM-7660
PER ASME Y14.5M-1994	DRAWN BY RFA/DTB	DATE 20AUG2013	SCALE 1:2 SHEET 1 OF 2

PROPRIETARY ITEM
 EXCEPT FOR USES EXPRESSLY GRANTED
 IN WRITING, INFORMATION DISCLOSED
 HEREON IS CONFIDENTIAL AND ALL
 RIGHTS, PATENT AND OTHERWISE,
 ARE RESERVED BY SOUTHCO, INC.

REVISION HISTORY			
REV	DATE	BY	DESCRIPTION
A	14MAR2018	ANT/MGG	PRN: P2018-0641

PANEL PREPERATION FOR MM-7660



THIRD ANGLE PROJECTION				 CONNECT • CREATE • INNOVATE		
TOLERANCES UNLESS OTHERWISE NOTED		DESCRIPTION				
ALL DIMENSIONS WITHOUT TOLERANCES ARE FOR REFERENCE ONLY.		ENTRY DOOR LOCK PANEL PREPERATION				
PROPRIETARY ITEM	SIZE	SYSTEM	DWG NO.			
EXCEPT FOR USES EXPRESSLY GRANTED IN WRITING, INFORMATION DISCLOSED HEREON IS CONFIDENTIAL AND ALL RIGHTS, PATENT AND OTHERWISE, ARE RESERVED BY SOUTHCO, INC.	A3	NX	J-MM-7600			
PER ASME Y14.5M-1994	DRAWN BY	DATE	SCALE	SHEET		
	RFA/DTB	20AUG2013	1:2	2 OF 2		