

# E2 Push-to-Close Latch

Push-button to open · Hidden panel latching system

- Concealed latch points
- Door ejection feature
- Accommodates misalignment
- Single or two point latching

### Material and Finish

Steel, zinc plated and thermoplastic, white, aluminum, natural

### Performance Details

Keeper style	Maximum Static load	Ultimate load
Fixed	1300 N (300 lbf)	2200 N (500 lbf)
Floating	750 N (170 lbf)	1400 N (310 lbf)

Operating temperature range: -18°C (-0°F) to 120°C (250°F)

Flammability rating: UL94-V0

### Installation Notes

See [www.southco.com/e2](http://www.southco.com/e2)

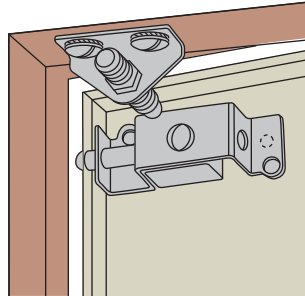
\*Nominal keeper location from inside surface of door. Adjustable 6.4 (.25) either way to allow for variations in mounting, gasketing, etc

### Part Number

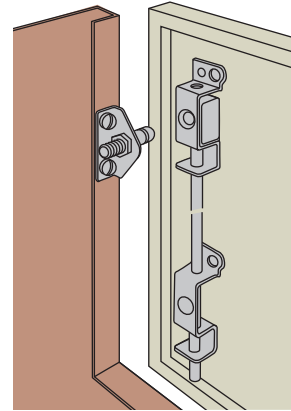
See table

## Available in Two Versions - Near Edge and Remote

Near Edge

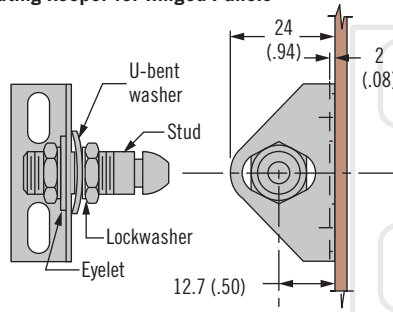


Remote

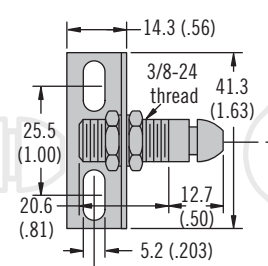


### 1. Select Keeper

Floating Keeper for Hinged Panels

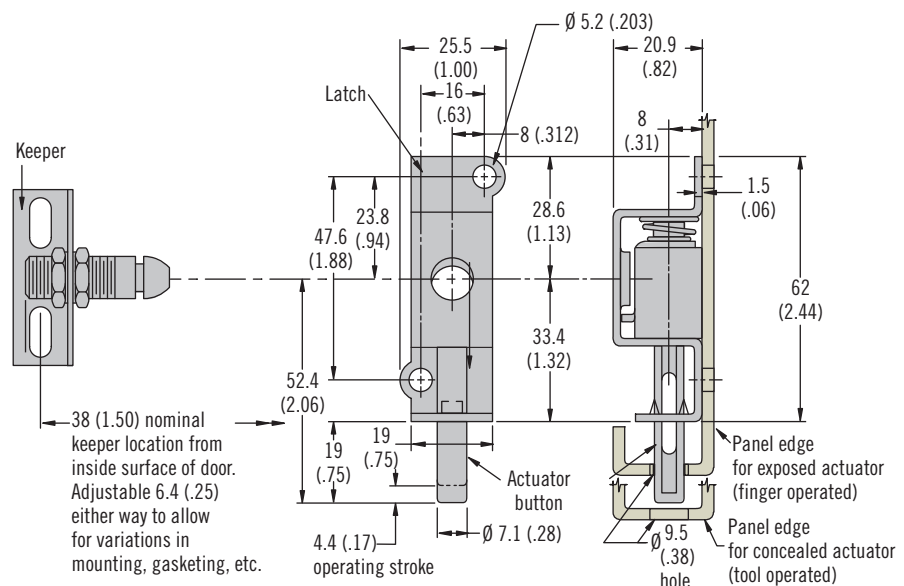


Fixed Keeper for Lift-Off Panels



### 2. Determine Latch Location - Near Edge or Remote (Single or Two Point)

Near Edge



Near Edge Complete Assembly Part Number	
With Fixed Keeper	With Floating Keeper
E2-50-101-10	E2-50-101-20

A complete near edge assembly comes with keeper

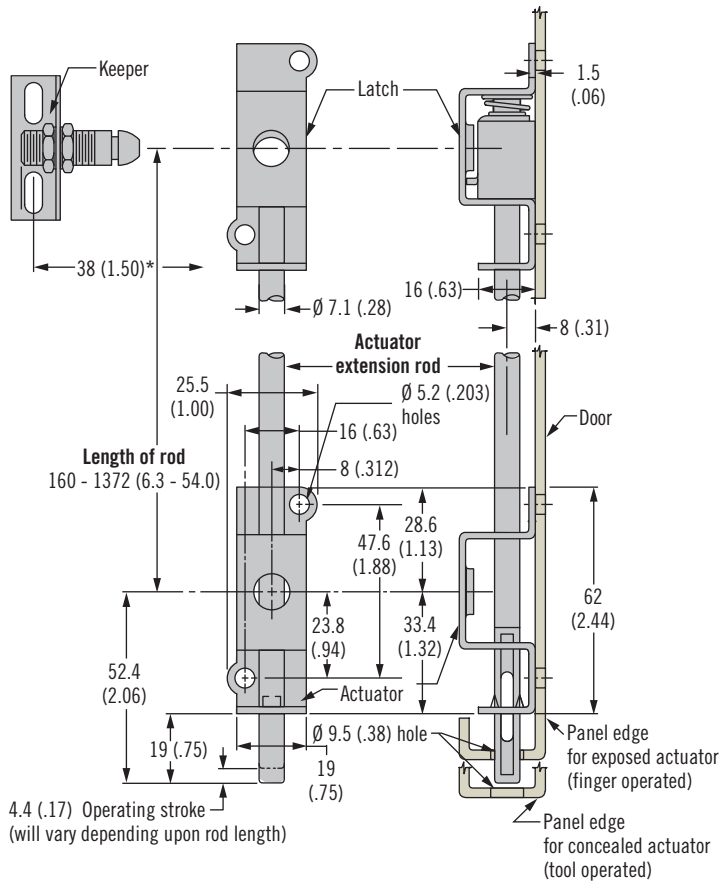
Dimensions in millimeters (inch) unless otherwise stated

Other options available. For complete details on variety, part numbers, installation and specification, go to

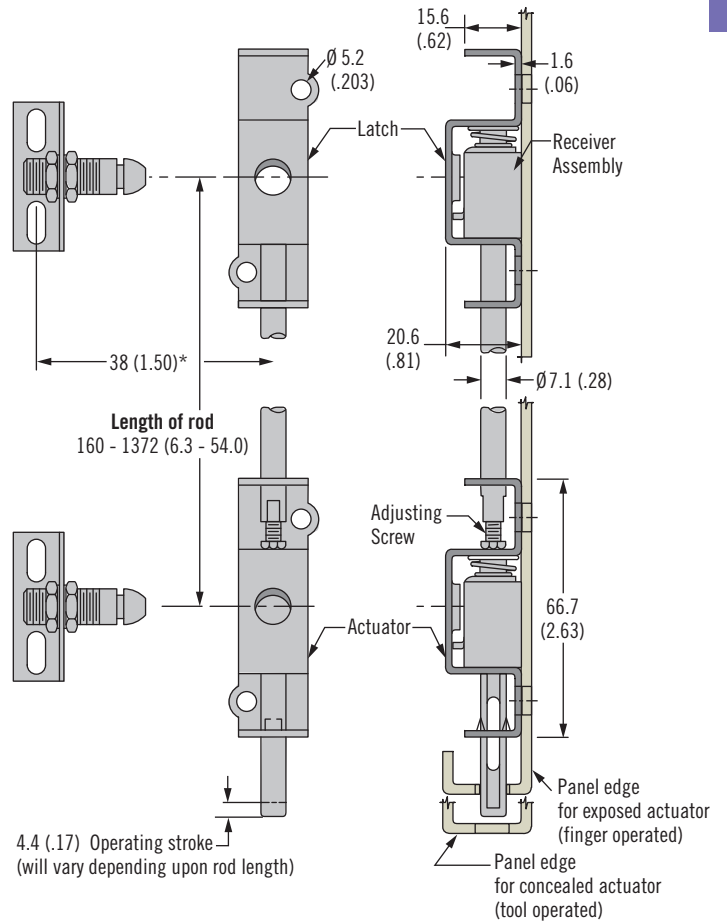


[www.southco.com/E2](http://www.southco.com/E2)

**Remote - Single Point**



**Remote - Two Point**



Remote Single Point Part Number	
Fixed keeper	E2-55-101-10
Floating keeper	E2-55-102-10
Rod 500 mm	E2-46-0500-16
Rod 1250 mm	E2-46-1250-16
Latch	E2-92-101
Actuator	E2-91-101

Remote Two Point Part Number	
Fixed keeper	E2-55-101-10
Floating keeper	E2-55-102-10
Rod 500 mm (19.69)	E2-42-0500-16
Rod 1250 mm	E2-42-1250-16
Latch	E2-92-102
Actuator	E2-93-102

A complete remote single point assembly consists of 4 components: keeper, rod, latch and actuator

A complete remote two point assembly consists of 6 components: keeper (quantity 2), latch (quantity 2), rod and actuator.

To order rod lengths other than the standard lengths, use part number:

E2-42-XXX-16

(XXX = length in mm)

Minimum = 160 mm

Maximum = 1372 mm

Minimum order = 50 units