

southco

PROPRIETARY ITEM - EXCEPT FOR USES EXPRESSLY GRANTED IN WRITING INFORMATION DISCLOSED HEREON IS CONFIDENTIAL AND ALL RIGHTS PATENT AND OTHERWISE ARE RESERVED BY SOUTHCO, INC.

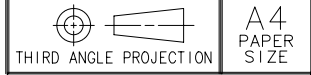
No. 30 PUSH RIVET

DATE	DRAWN	CHKD	SCALE	DRAWING NUMBER
22FEB2005	MDY	MLG	-	J-30-36

REV	DATE	DRAWN/CHKD	DESCRIPTION
A	20MAY2005	MDY/AJH	PRN: P2005-0610
B	07MAR2-12	MJS/MSR	PRN: P2012-0316

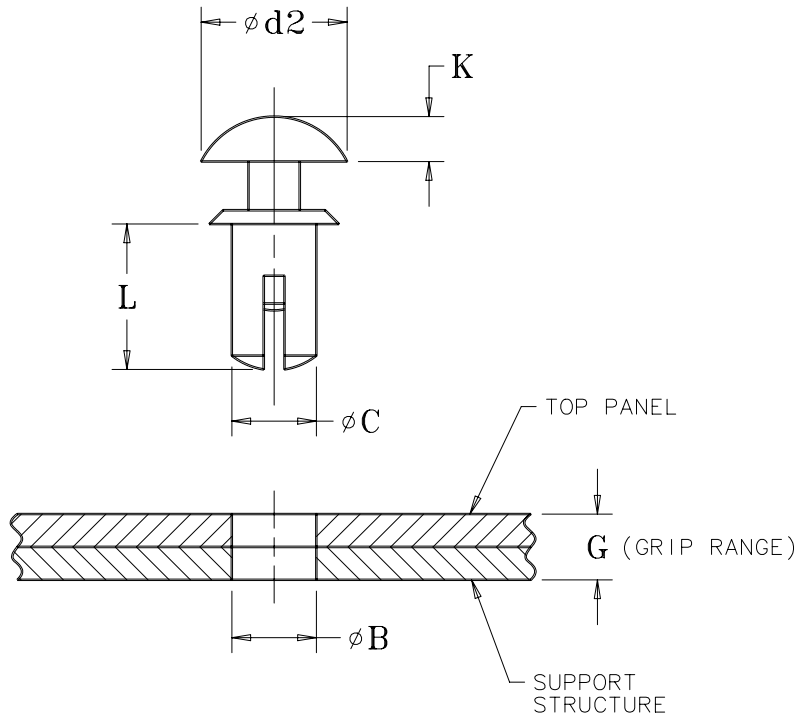
MILL METERS

ALL DIMENSIONS WITHOUT TOLERANCES ARE FOR REFERENCE ONLY.



NOTES:

- A. MATERIAL & COLOR: NYLON, BLACK
- B. FOR NYLON RIVETS WITH NATURAL COLOR, CHANGE LAST (2) DIGITS IN PART NUMBER FROM 20 TO 10.
- C. PACKAGED IN BAGS OF 1000 PIECES.



C RIVET DIAMETER	B ^{MAX} BORE HOLE DIAMETER	d2 ^{MAX} HEAD DIAMETER	K ^{MAX} HEAD THICKNESS	G		L ^{MIN} SHAFT LENGTH	PART NUMBER	SHAFT SLOTS
				MIN	MAX			
3	3.05	6.5	2	1	2	3.5	30-36-3015-20	2
				2	3	4.5	30-36-3025-20	
				3	4	5.5	30-36-3035-20	
				4	5	6.5	30-36-3045-20	
				5	6	8	30-36-3055-20	
4	4.05	8	2	1.5	2.5	4.5	30-36-4020-20	4
				2.5	3.5	5.5	30-36-4030-20	
				3.5	4.5	6.5	30-36-4040-20	
				4.5	5.5	7.5	30-36-4050-20	
				5.5	6.5	8.5	30-36-4060-20	
6.5	7.5	9.5	30-36-4070-20					
5	5.05	9	2	1.5	2.5	4.5	30-36-5020-20	5
				2.5	3.5	5.5	30-36-5030-20	
				3.5	4.5	6.5	30-36-5040-20	
				4.5	5.5	7.5	30-36-5050-20	
				5.5	6.5	8.5	30-36-5060-20	
				6.5	7.5	9.5	30-36-5070-20	
7.5	8.5	10.5	30-36-5080-20					
6	6.05	11	3	1.5	2.5	4.5	30-36-6020-20	5
				2.5	3.5	5.5	30-36-6030-20	
				3.5	4.5	6.5	30-36-6040-20	
				4.5	5.5	7.5	30-36-6050-20	
				5.5	6.5	8.5	30-36-6060-20	
				6.5	7.5	9.5	30-36-6070-20	
7.5	8.5	10.5	30-36-6080-20					