



PROPRIETARY ITEM - EXCEPT FOR USES EXPRESSLY GRANTED IN WRITING INFORMATION DISCLOSED HEREON IS CONFIDENTIAL AND ALL RIGHTS PATENT AND OTHERWISE ARE RESERVED BY SOUTHCO, INC.

# FLAT ROD GUIDE

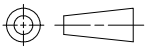
DATE	DRAWN	CHKD	SCALE
02 APR 09	IR	XXX	DNS

DRAWING NUMBER
J-A5-F90

REV	DATE	DRAWN/CHKD	DESCRIPTION	PART NUMBER	MATERIAL	COLOR	FLAMABILITY
A	08 SEP 09	IR/	RELEASED FOR PRODUCTION	A5-F90-71	GF15 PA66	BLACK	UL-94V0
B	18 DEC 09	IR/	PRN: P2009-1448				
C	01 JUL 2011	IR/ACH	PRN: P2011-0500				

**MILLIMETERS**

ALL DIMENSIONS WITHOUT TOLERANCES ARE FOR REFERENCE ONLY.

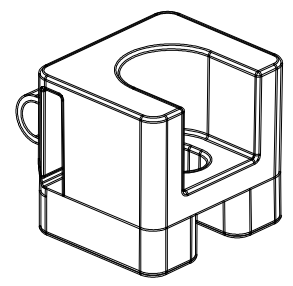
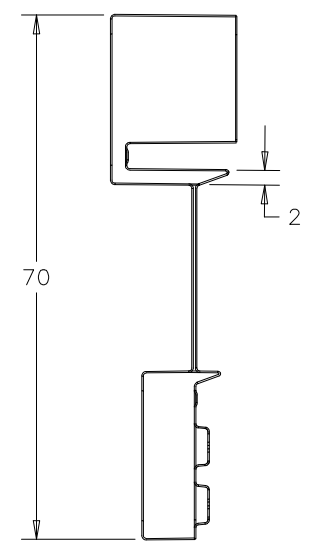
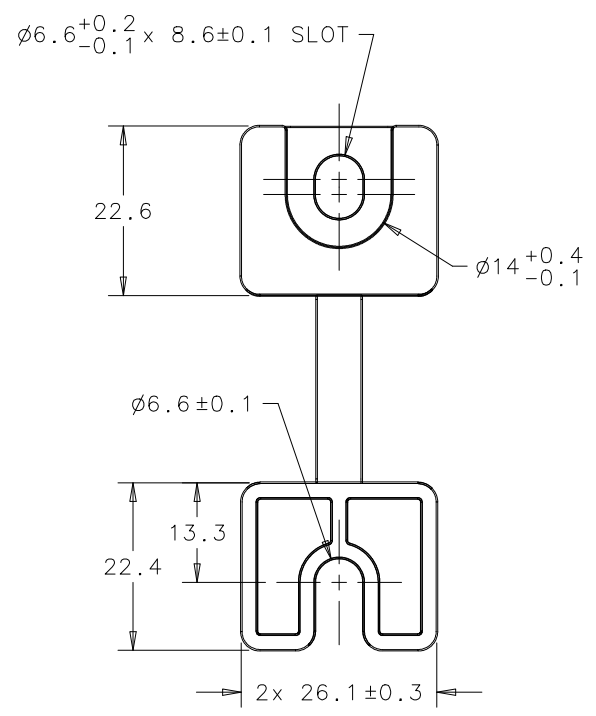


THIRD ANGLE PROJECTION

A4 PAPER SIZE

**NOTES:**

1. RoHS COMPLIANT.
2. ROD GUIDE IS DESIGNED TO BE MOUNTED ONTO M6x1 THREAD STUDS AND SECURED IN PLACE WITH A STANDARD M6x1 NUT. IT CAN ALSO BE ATTACHED USING A STANDARD M6x1 BOLT THREADED INTO A PANEL NUT, OR STANDARD BOLT AND NUT.
3. COSMETIC SPECIFICATION:  
ALL SURFACES UNLESS OTHERWISE NOTED ARE TO CONFORM TO A CLASS "B" DESIGNATION AS DESCRIBED IN SOUTHCO COSMETIC SPECIFICATION:  
S-121-04 FOR PLASTIC PARTS



AS INSTALLED

