

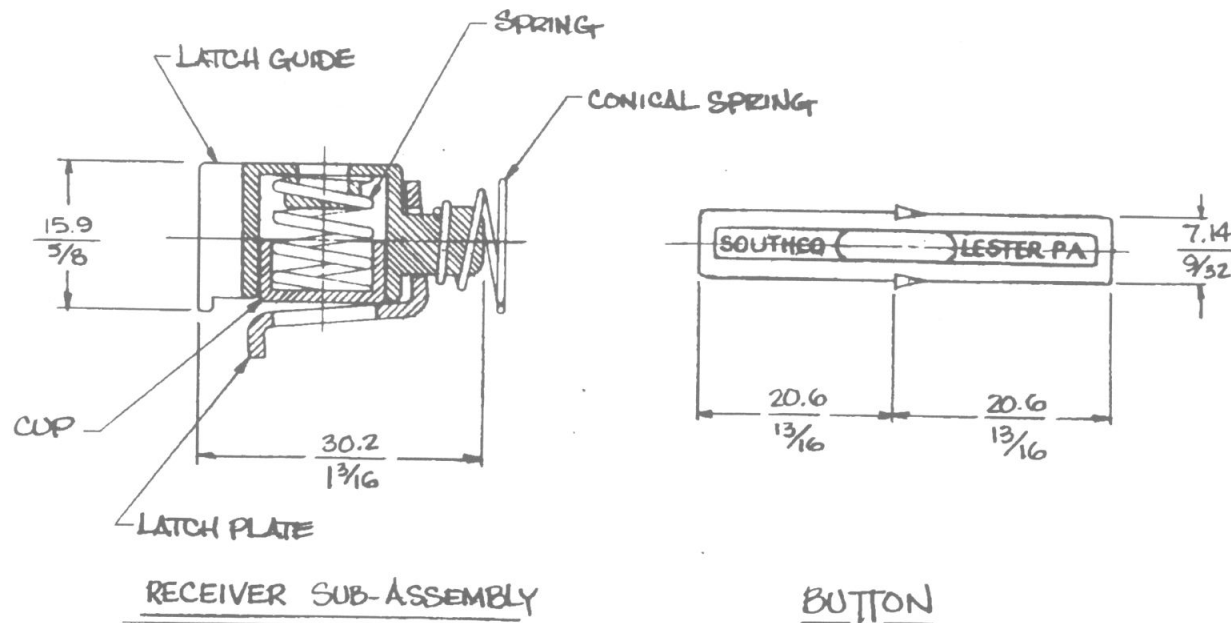
**SOUTHCO, INC.**  
CONCORDVILLE, PA.

**RECEIVER SUB-ASS'Y & BUTTON**

DATE	DRAWN	CHKD	SCALE	DRAWING NUMBER
2-3-86	<i>SS</i>		NTS	J-E2-59-101-10

REV. LET.	DATE	BY-CHKD	REVISIONS	ITEM	PART NO.	MATERIAL	FINISH
A	6-12-86	RHA	PRN E2-18	ASSEMBLY	E2-59-101-10		
B	1-21-91	<i>SS</i>	ADDED MAT'L. & FINISH.	RECEIVER SUB-ASS'Y	E2-53-101-10	NOTE A	NOTE A
				BUTTON	E2-54-101-12	POLYESTER	WHITE

NOTE A: LATCH PLATE - STEEL, DACROTIZED™  
LATCH GUIDE - POLYESTER, WHITE  
CUP - POLYESTER, WHITE  
SPRING - STAINLESS STEEL, PASSIVATED  
CONICAL SPRING - STAINLESS STEEL, NATURAL.



™ METAL COATINGS INTERNATIONAL, INC.

PROPRIETARY ITEM EXCEPT FOR USES EXPRESSLY GRANTED IN WRITING. INFORMATION DISCLOSED HEREON IS CONFIDENTIAL AND ALL RIGHTS PATENT AND OTHERWISE ARE RESERVED BY SOUTHCO, INC.

PAT. #, 597, 599

MILLIMETER/INCH

MILLIMETER  
INCH

DRAWING NUMBER

J-E2-59-101-10