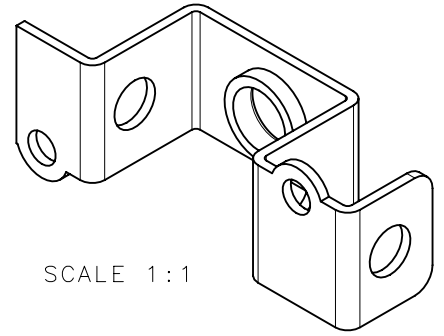
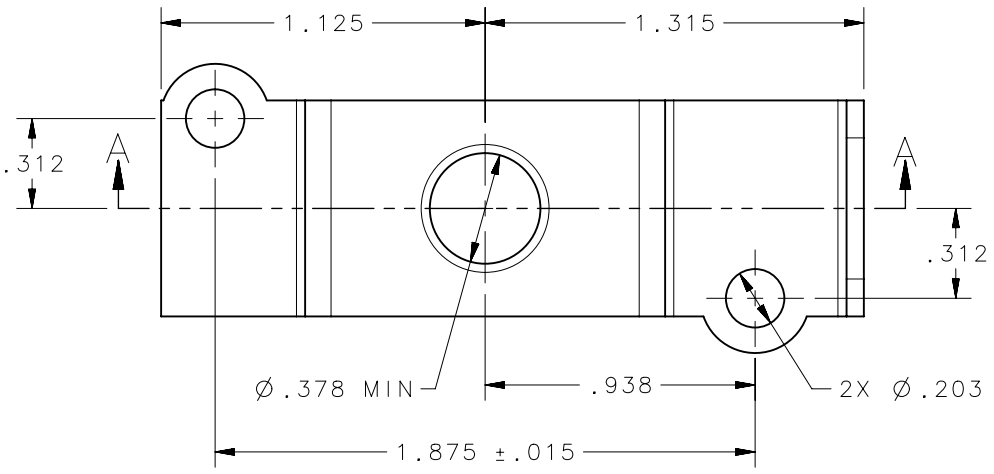
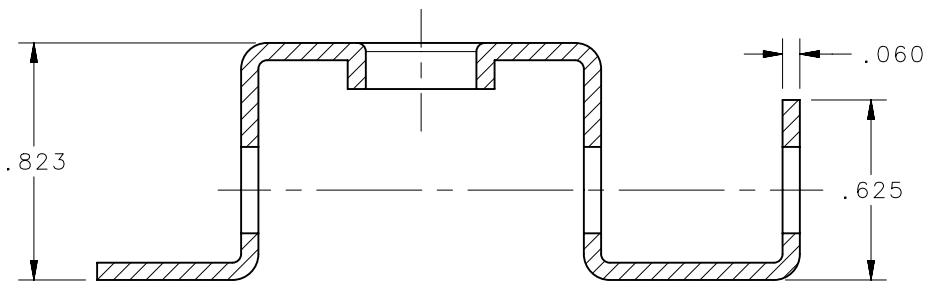


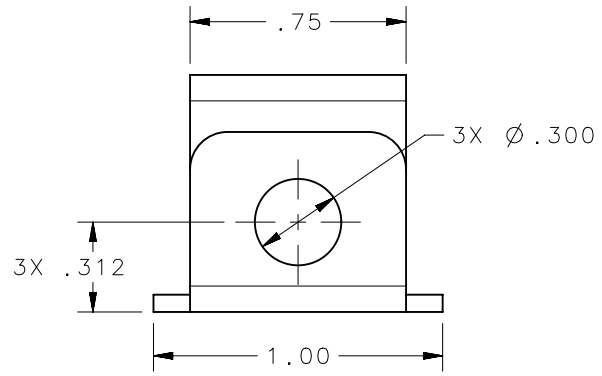
REVISION HISTORY			
REV	DATE	BY	DESCRIPTION
D	29MAY2015	DJS/JCS	PRN: P2015-0984



SCALE 1:1



SECTION A-A



E2-52-101-11		STEEL		DACROTIZED	
SOUTHCO PART NUMBER		MATERIAL		FINISH	
THIRD ANGLE PROJECTION					
INCHES [MM]					
TOLERANCES UNLESS OTHERWISE NOTED		DESCRIPTION			
ALL DIMENSIONS WITHOUT TOLERANCES ARE FOR REFERENCE ONLY.		BRACKET			
PROPRIETARY ITEM		SIZE	SYSTEM	DWG NO.	
EXCEPT FOR USES EXPRESSLY GRANTED IN WRITING, INFORMATION DISCLOSED HEREON IS CONFIDENTIAL AND ALL RIGHTS, PATENT AND OTHERWISE, ARE RESERVED BY SOUTHCO, INC.		A	NX	J-E2-52-101-11	
PER ASME Y14.5M-1994		DRAWN BY	DATE	SCALE	SHEET
		JSS	2-3-86	1.5:1	1 OF 1