

**southco**<sup>®</sup>

PROPRIETARY ITEM - EXCEPT FOR USES EXPRESSLY GRANTED IN WRITING INFORMATION DISCLOSED HEREON IS CONFIDENTIAL AND ALL RIGHTS PATENT AND OTHERWISE ARE RESERVED BY SOUTHCO, INC.


# FLAT PAWL

DATE	DRAWN	CHKD	SCALE	DRAWING NUMBER
26APR2010	ACH		1.5:1	J-M1-520-77

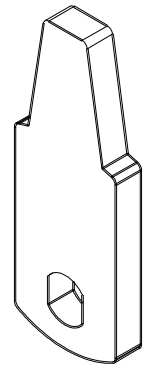
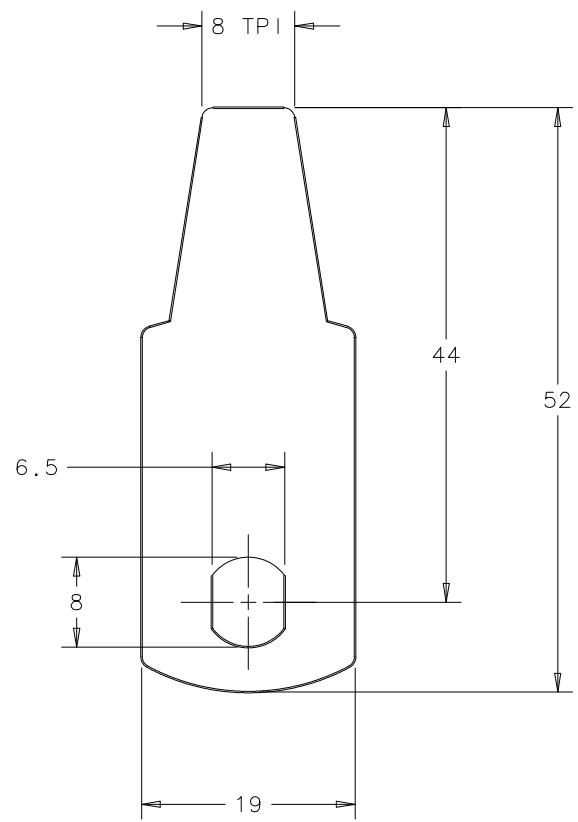
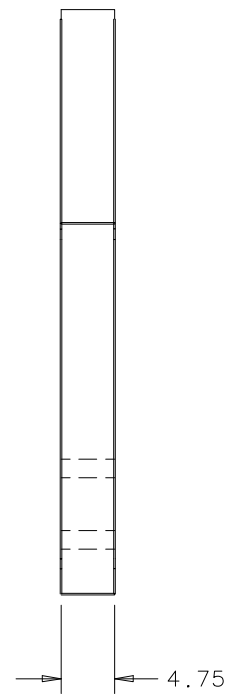
REV	DATE	DRAWN/CHKD	DESCRIPTION	PART NUMBER	MATERIAL	FINISH
A	26APR2010	ACH	INITIAL RELEASE	M1-520-77-4	STAINLESS STEEL	PASSIVATED
B	05MAY2010	ACH	PRN: P2010-0429			

**MILLIMETERS**

TOLERANCES UNLESS OTHERWISE NOTED  
ALL DIMENSIONS WITHOUT TOLERANCES ARE FOR REFERENCE ONLY.

 THIRD ANGLE PROJECTION

A4 PAPER SIZE



SCALE 1:1