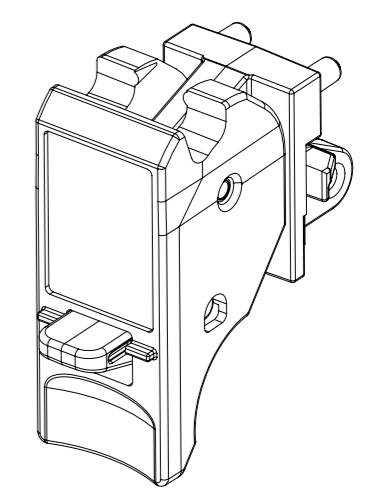
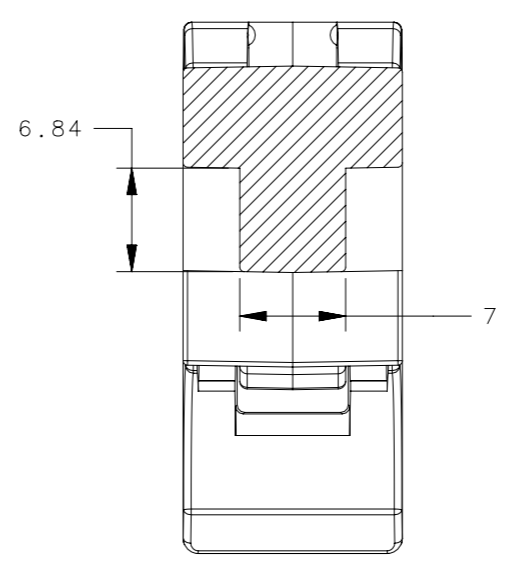
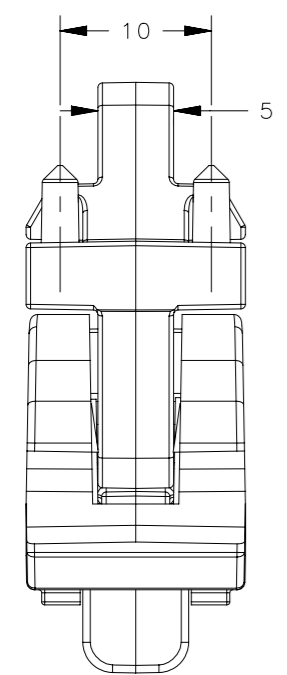
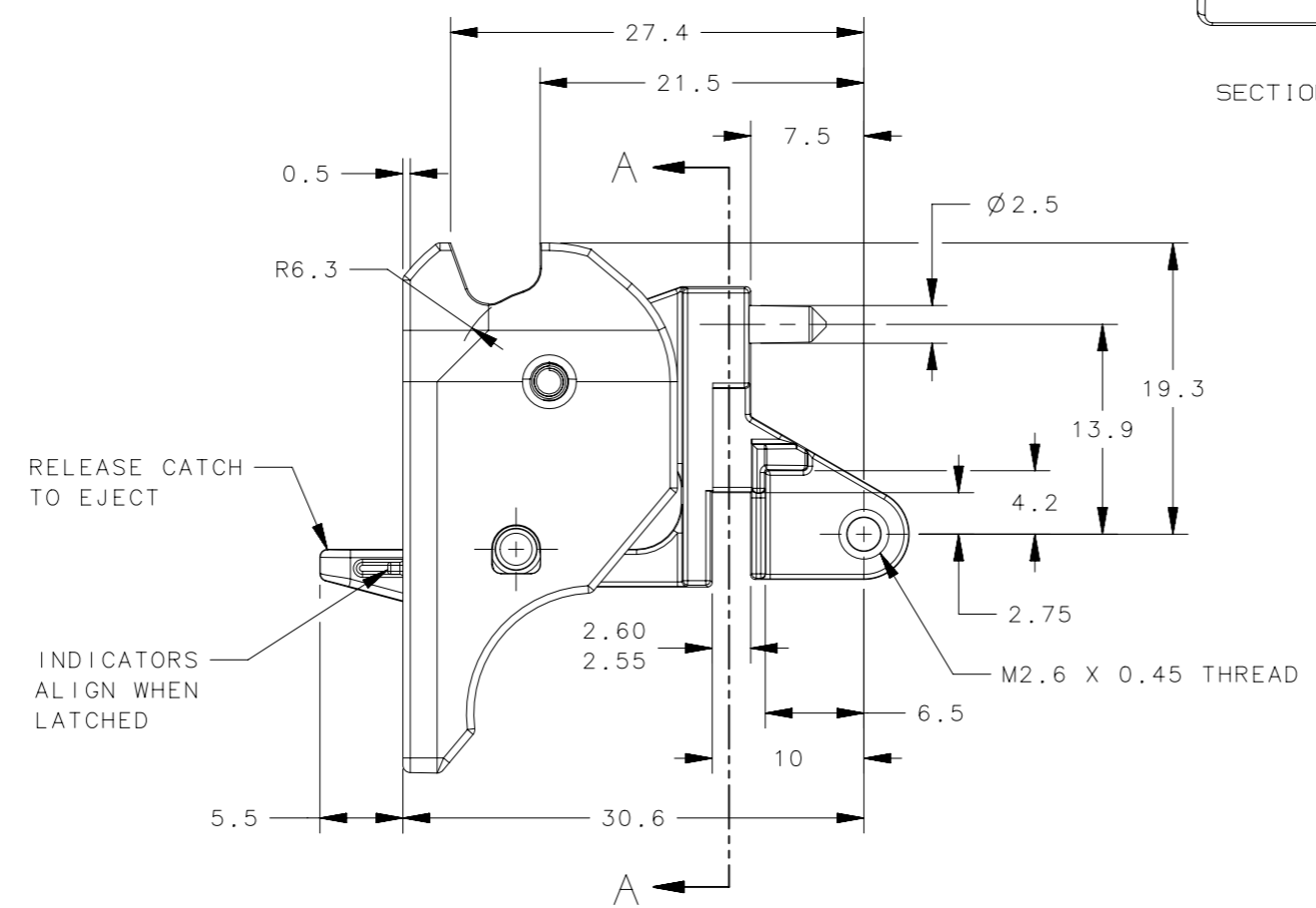
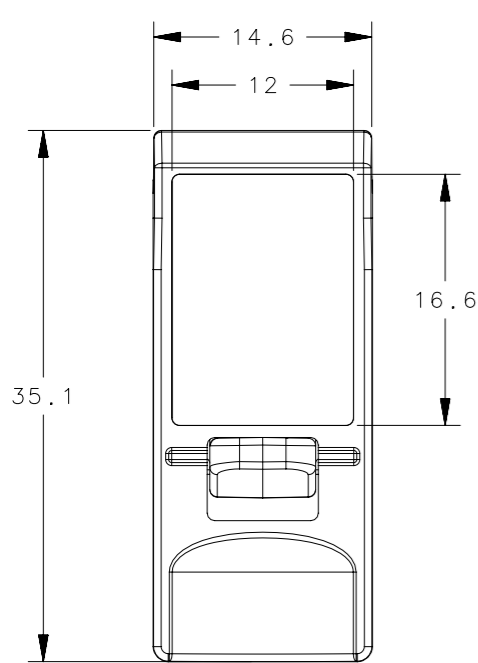


REVISION HISTORY			
REV	DATE	BY	DESCRIPTION
G	26SEP2016	PG/YGC	PRN: P2016-2202

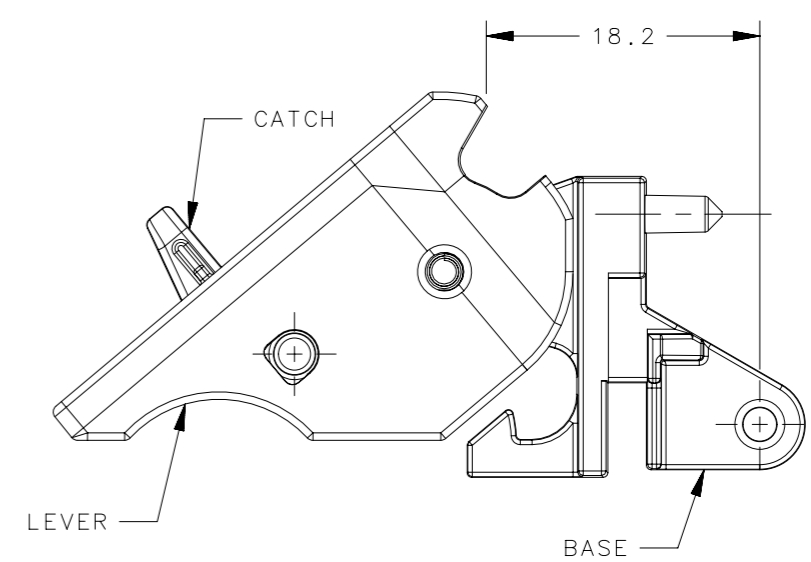


SCALE 3:2



RELEASE CATCH TO EJECT

INDICATORS ALIGN WHEN LATCHED



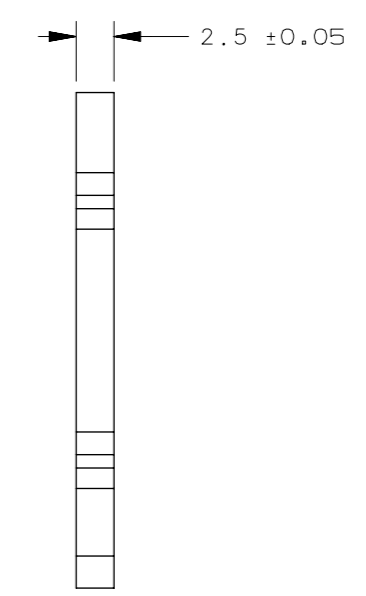
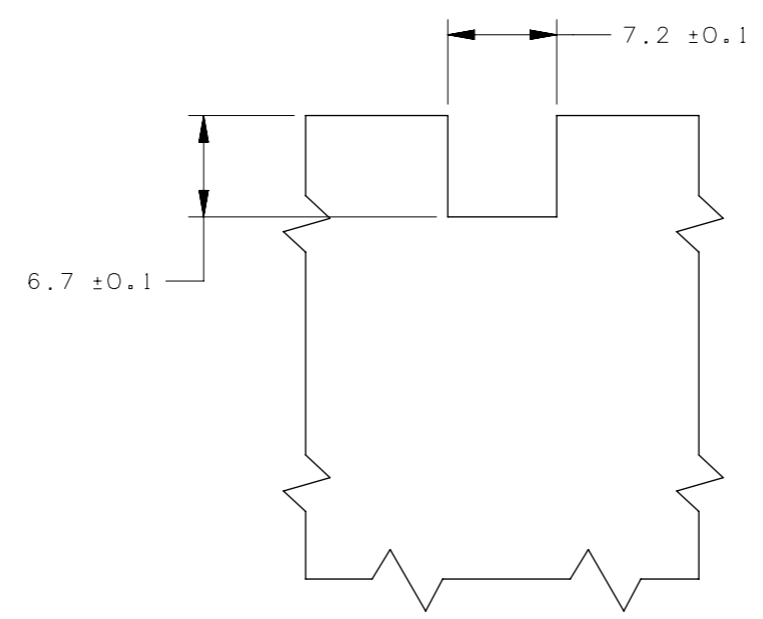
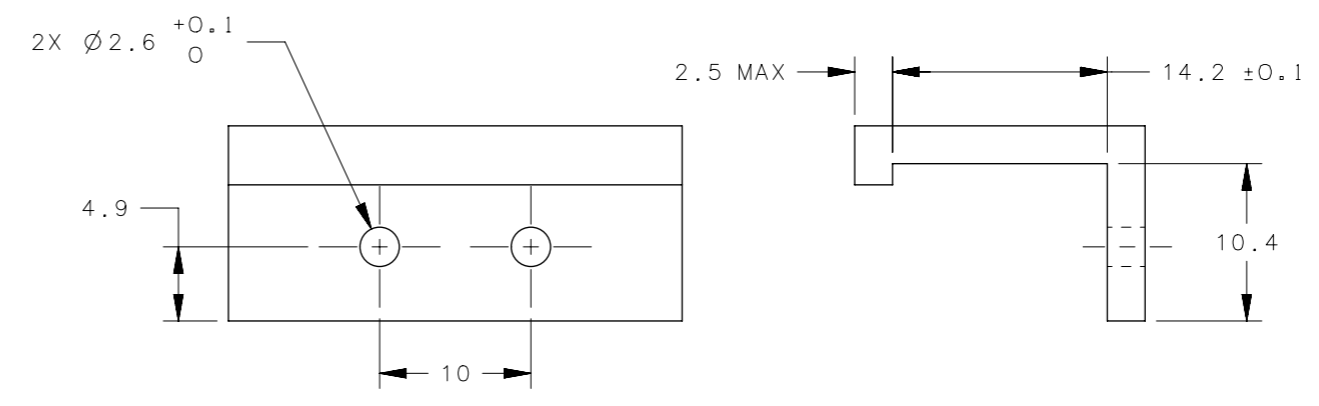
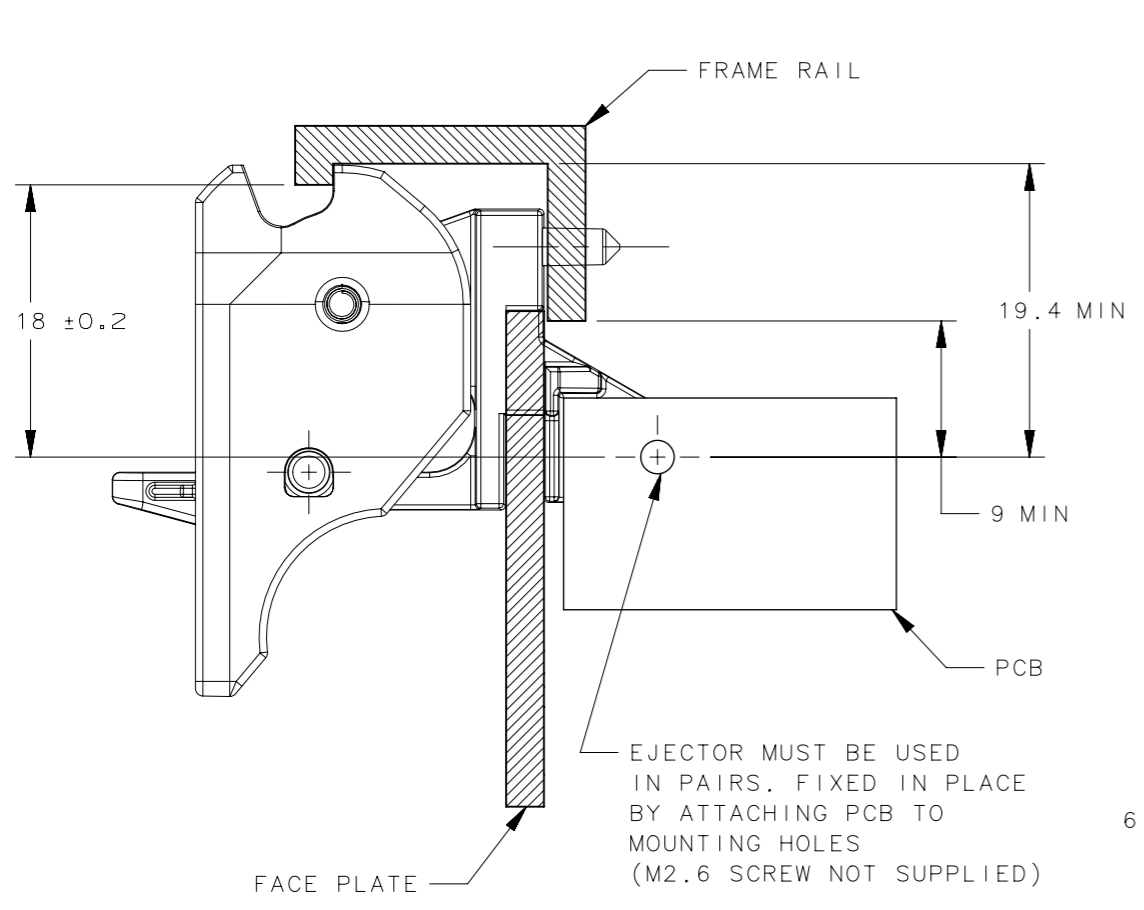
EJECTED

NO.	PART NUMBER	QTY	TYPE OF COMPONENT	MATERIAL	FINISH
4	-	1	COILED PIN	302 STAINLESS STEEL	PASSIVATED
3	-	1	CATCH	LEXAN 920	SAMSUNG GREY
2	-	1	LEVER	GLASS FILLED POLYCARBONATE	SAMSUNG GREY
1	-	1	BASE	DIE CAST ZINC	NICKEL PLATED
-	CN-11	-	ASSEMBLY	-	-

THIRD ANGLE PROJECTION				
MILLIMETERS [IN]	DESCRIPTION			EJECTOR LATCH
TOLERANCES UNLESS OTHERWISE NOTED	SIZE	SYSTEM	DWG NO.	
ALL DIMENSIONS WITHOUT TOLERANCES ARE FOR REFERENCE ONLY.	A3	NX	N-38976-J	
PER ASME Y14.5M-1994	DRAWN BY	DATE	SCALE	SHEET
	RES/DLH	28MAR2003	2:1	1 OF 2

PROPRIETARY ITEM
EXCEPT FOR USES EXPRESSLY GRANTED IN WRITING, INFORMATION DISCLOSED HEREON IS CONFIDENTIAL AND ALL RIGHTS, PATENT AND OTHERWISE, ARE RESERVED BY SOUTHCO, INC.

REVISION HISTORY			
REV	DATE	BY	DESCRIPTION
G	26SEP2016	PG/YGC	PRN: P2016-2202



PANEL PREPARATION

PROPRIETARY ITEM <small>EXCEPT FOR USES EXPRESSLY GRANTED IN WRITING, INFORMATION DISCLOSED HEREON IS CONFIDENTIAL AND ALL RIGHTS, PATENT AND OTHERWISE, ARE RESERVED BY SOUTHCO, INC.</small>	THIRD ANGLE PROJECTION	southco [®] CONNECT • CREATE • INNOVATE		
	MILLIMETERS [IN]			
	TOLERANCES UNLESS OTHERWISE NOTED	EJECTOR LATCH		
	ALL DIMENSIONS WITHOUT TOLERANCES ARE FOR REFERENCE ONLY.	SIZE A3	SYSTEM NX	DWG NO. N-38976-J
PER ASME Y14.5M-1994	DRAWN BY PG/YGC	DATE 26SEP2016	SCALE 2:1	SHEET 2 OF 2