



CR Compression System

Swinghandle actuator

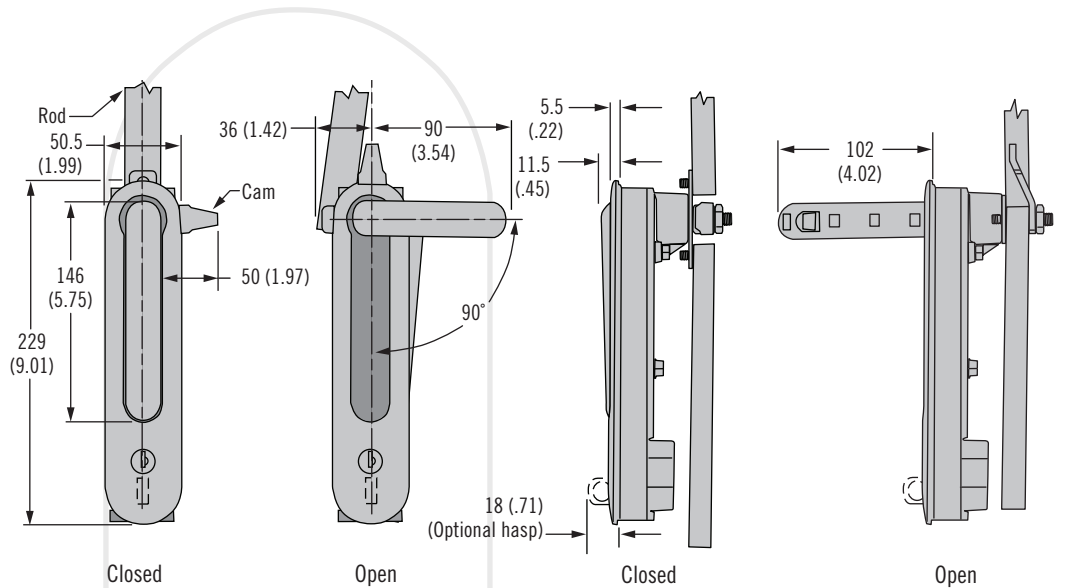
- Consistent compression
- Adjustable grip
- Meets NEMA 4 / IP66 and EMI standards

Material and Finish

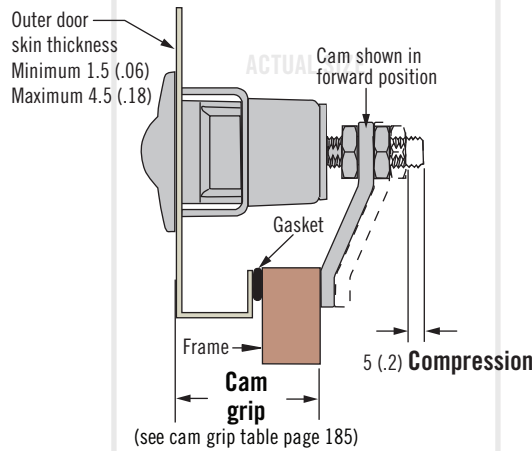
Handle actuator:
Zinc alloy black powder coated
Mounting hardware:
Acetal black, stainless steel and brass

Performance Details

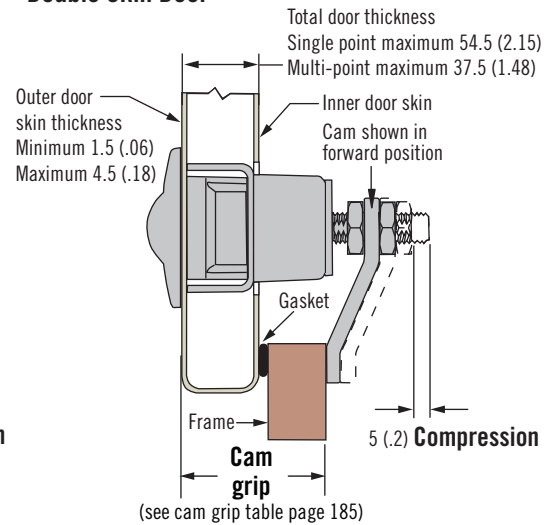
Maximum static load:
500 N (110 lbf) per latch point
Average ultimate load:
1400 N (315 lbf)



Single Skin Door



Double Skin Door



Part Number Selection

See table

Actuator only

The complete system consists of:
Actuator (see part number selector)
Cam (see page 185)
Rod end (see page 186)
Rods (see page 186)
Rod guide (see page 186)
Order each component separately

CR - 19 - L - R 5

L Lock style

- 11 Key-locking keyed alike CH751 (2 keys supplied)
- 21 Keylocking keyed alike CH751 (2 keys supplied) and padlock hasp
- 32 DIN 18354 profile keyed alike 347876 (3 keys supplied)
- 44 Bellcore electronics
- 45 Bellcore 216
- 54 Bellcore electronics and padlock hasp
- 55 Bellcore 216 and padlock hasp

R Rotation

- 1 Universal 180°
- 2 Counter-clockwise 90°
- 3 Clockwise 90°

Other options available. For complete details on variety, part numbers, installation and specification, go to



www.southco.com/CR

Dimensions in millimeters (inch) unless otherwise stated

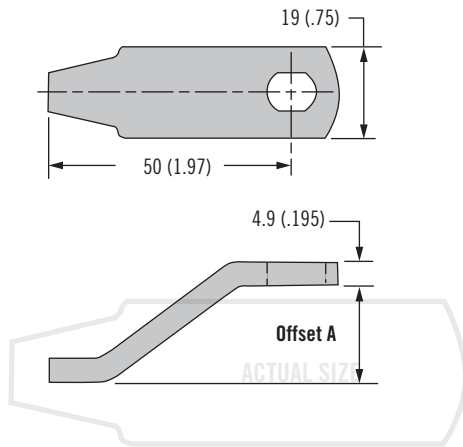
CR Compression System

Cam



Cam

See page 184 for definition of cam grip



Cam Part Number	Offset A	Cam Grip Range	
		Cam Forward	Cam Reversed
CR-846-1000-24	0 (0.0)	56.5 - 62 (2.23 - 2.44)	
CR-846-1005-24	5 (.20)	51.5 - 57 (2.03 - 2.25)	61.5 - 67 (2.42 - 2.64)
CR-846-1010-24	10 (.39)	46.5 - 52 (1.83 - 2.05)	66.5 - 72 (2.62 - 2.84)
CR-846-1015-24	15 (.59)	41.5 - 47 (1.64 - 1.85)	71.5 - 77 (2.82 - 3.03)
CR-846-1020-24	20 (.79)	36.5 - 42 (1.44 - 1.66)	76.5 - 82 (3.01 - 3.23)
CR-846-1025-24	25 (.98)	31.5 - 37 (1.24 - 1.46)	81.5 - 87 (3.21 - 3.43)
CR-846-1030-24	30 (1.18)	26.5 - 32 (1.05 - 1.26)	86.5 - 92 (3.41 - 3.62)
CR-846-1035-24	35 (1.38)	21.5 - 27 (.85 - 1.07)	91.5 - 97 (3.60 - 3.82)
CR-846-1040-24	40 (1.58)	16.5 - 22 (.65 - .87)	96.5 - 102 (3.80 - 4.02)
CR-846-1045-24	45 (1.77)	11.5 - 17 (.46 - .67)	101.5 - 107 (3.99 - 4.22)
CR-846-1050-24	50 (1.97)	6.5 - 12 (.26 - .47)	106.5 - 112 (4.19 - 4.41)

Material and Finish

Stainless steel

Part Number

Cam see table

The complete system consists of:

Actuator (see page 184)

Cam (see page 185)

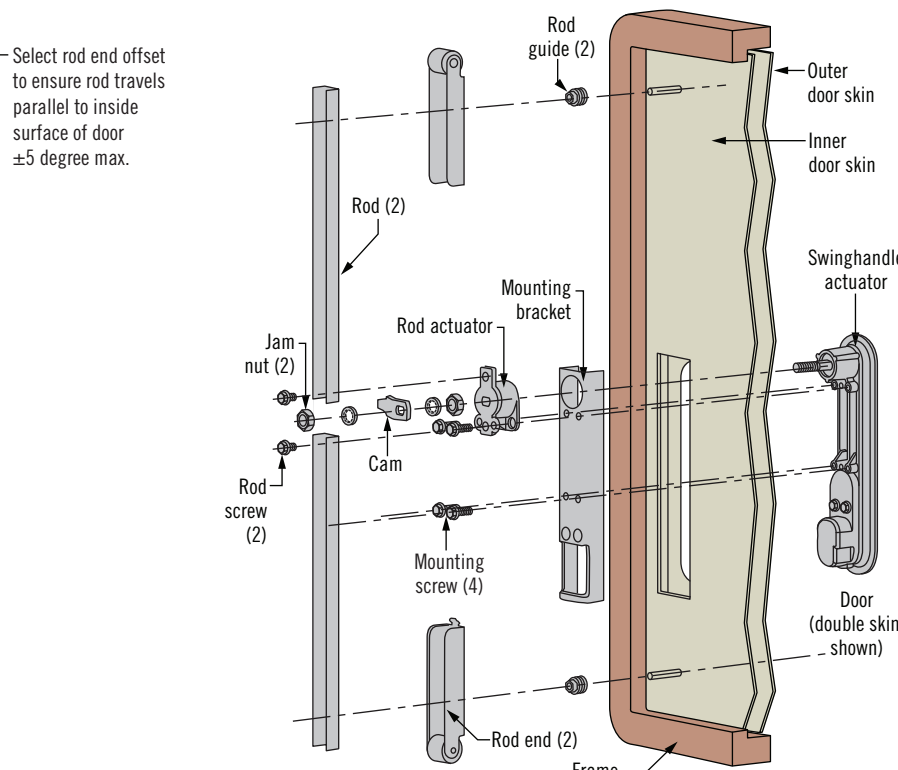
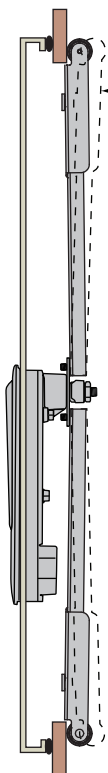
Rod end (see page 186)

Rods (see page 186)

Rod guide (see page 186)

Order each component separately

Assembly



Dimensions in millimeters (inch) unless otherwise stated



CR Compression System

Rod end · Rod · Rod guide · Installation

Material and Finish

Rod end: Stainless steel and nylon, black
 Rod: Aluminum
 Rod guide: Brass

Notes

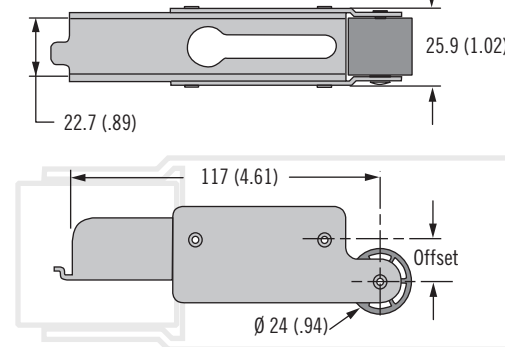
Rod end: When more than one rod end fits desired rod end grip range select the part number with the lowest offset value
 Rod: Sold separately without mounting hole, in standard length of 1000 (39.37). Rod will need to be cut to desired lengths and mounting holes $\varnothing 8.5$ (.33) drilled. Minimum 300 (11.81), Maximum 1000 (39.37)
 Rod guide: M6 thread with prevailing torque for vibration resistance

Part Number

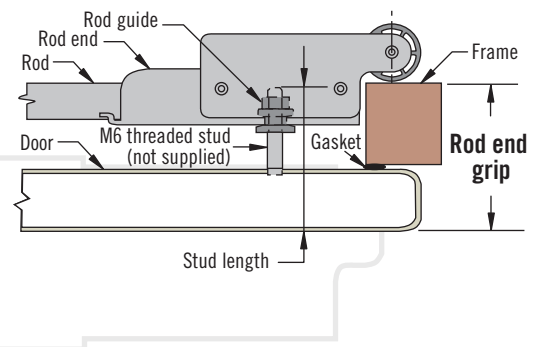
Rod end, rod and rod guides see tables

The complete system consists of:
 Actuator (see page 184)
 Cam (see page 185)
 Rod end (see page 186)
 Rods (see page 186)
 Rod guide (see page 186)
 Order each component separately

Rod End - Negative offset shown



Positive offset shown



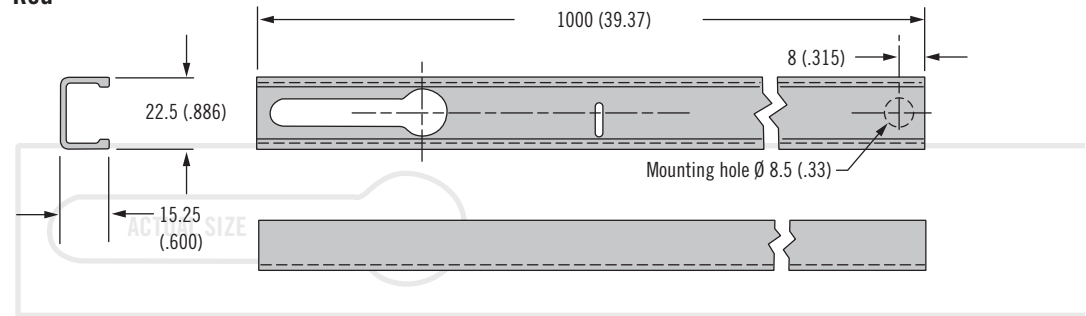
Rod End Grip when used with 1000 (39.37) rod	Offset	Formula for Stud Length $^{+2.5}_{-0}$ ($^{+1}_{-0}$) Distance from front of door to the end of the threaded stud (not supplied)	Rod End Part Number
40 (1.57) Min. to 124 (4.88) Max.	+30 (1.18)	Rod end grip -16.5 (.65)	CR-51-30-24
25 (.98) Min. to 109 (4.29) Max.	+15 (.59)	Rod end grip -1.5 (.06)	CR-51-15-24
10 (.39) Min. to 94 (3.70) Max.	0 (0)	Rod end grip +13.5 (.53)	CR-50-01-24
5 (.20) Min. to 79 (3.11) Max.	-15 (.59)	Rod end grip +28.5 (1.12)	CR-52-15-24
5 (.20) Min. to 64 (2.52) Max.	-30 (1.18)	Rod end grip +43.5 (1.71)	CR-52-30-24

For your specific application requirement use Southco's online configurator, visit www.southco.com/CR or contact Southco

Example:

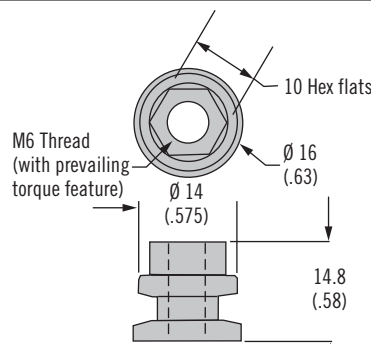
Rod end grip = 40 (1.57)
 Rod end offset = +15 (.59)
Stud Length = 40 (1.57) - 1.5 (.06) = 38.5 (1.51)

Rod



Rod Part Number
CR-64-1000-50

Rod Guide



Rod Guide Part Number
CR-843-01-26

Dimensions in millimeters (inch) unless otherwise stated

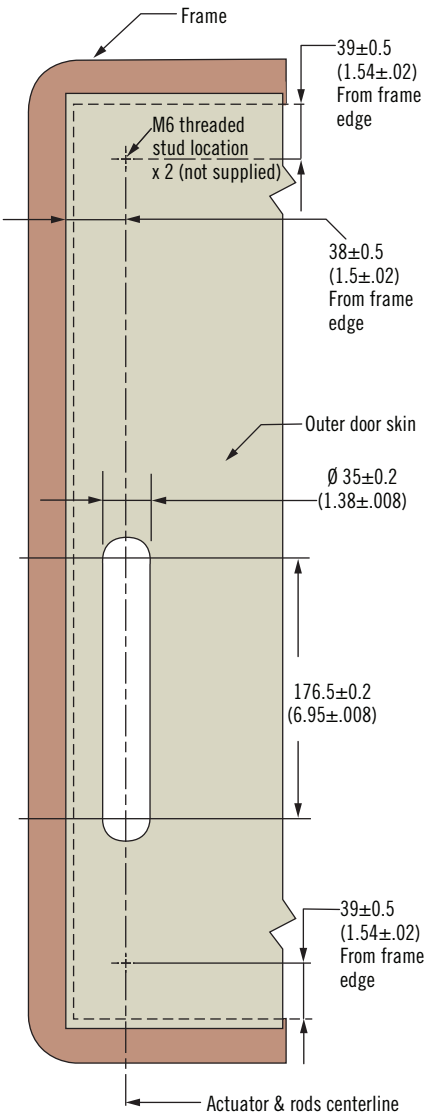
Other options available. For complete details on variety, part numbers, installation and specification, go to



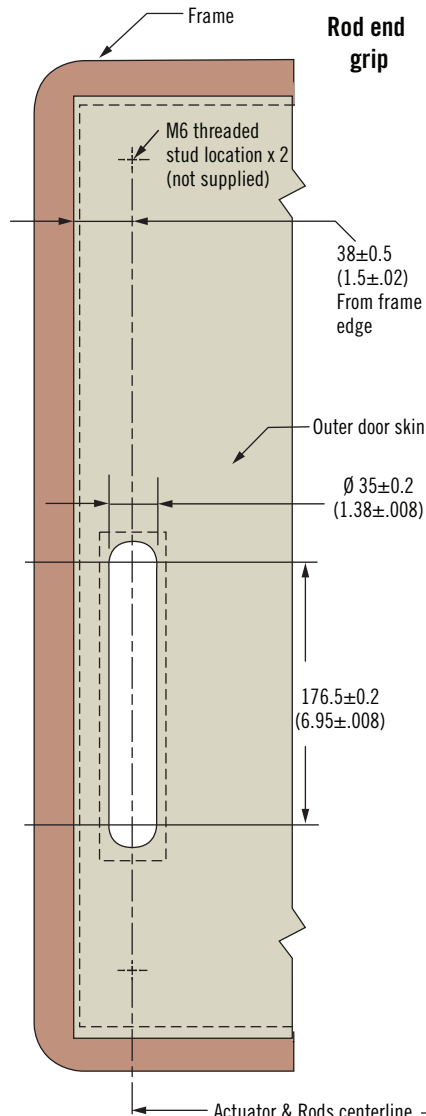
www.southco.com/CR

Installation

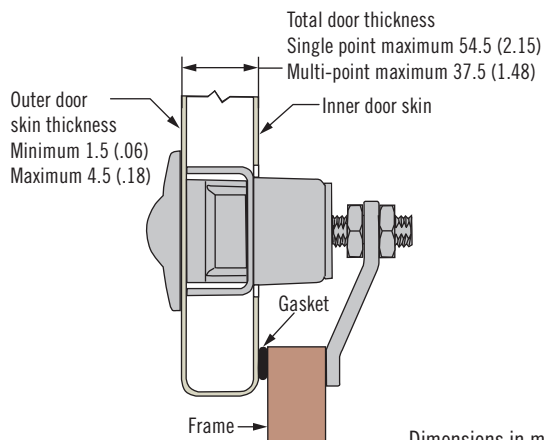
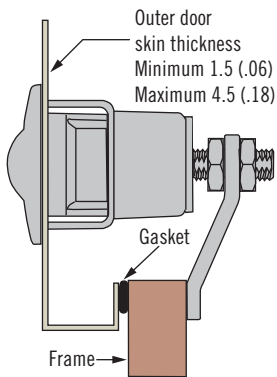
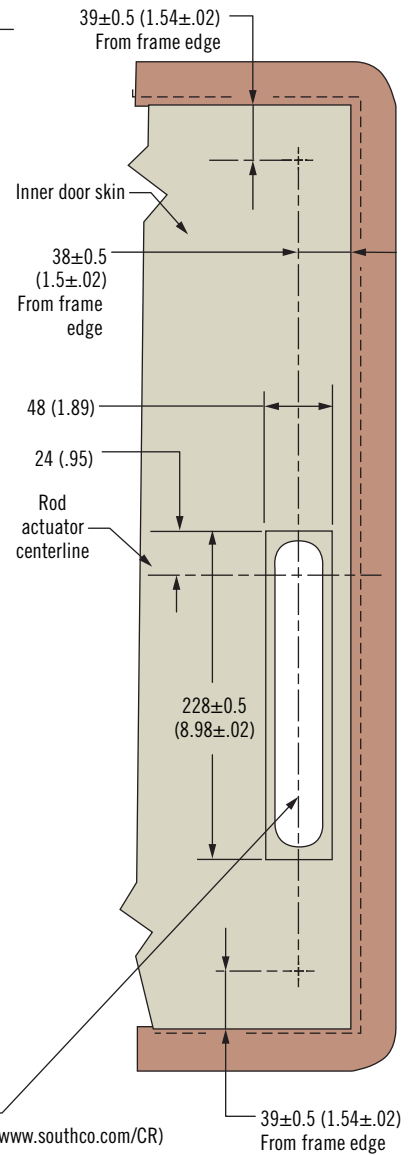
Single Skin Door
View From Front



Double Skin Door
View From Front



View From Rear



Dimensions in millimeters (inch) unless otherwise stated