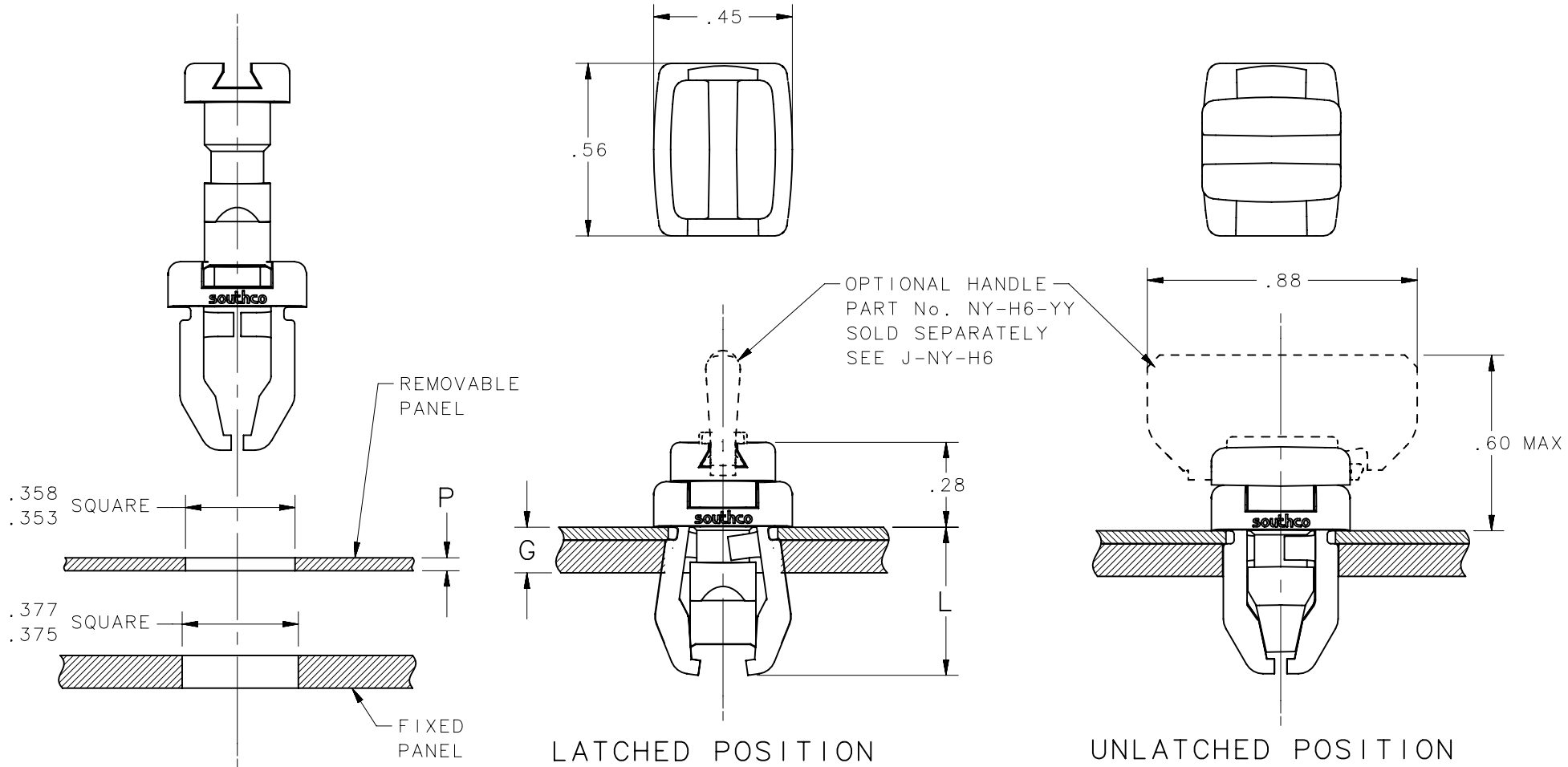


NOTES:

A. CORNER RADII ON SQUARE HOLES TO BE R.015 MAX.

REVISION HISTORY			
REV	DATE	BY	DESCRIPTION
B	14MAR2011	MJS	PRN: P2011-0352



PART NUMBER	G		P _{MAX}	L _{MAX}
	MIN	MAX		
NY-N6-1-YY	.059	.148	.042	.50
NY-N6-2-YY	.076	.165	.057	.51
NY-N6-3-YY	.118	.207	.098	.55
NY-N6-4-YY	.182	.271	.162	.62

YY	COLOR AND MATERIAL
10	WHITE POLYCARBONATE (UL94VO)
20	BLACK POLYCARBONATE (UL94VO)
30	BLACK POLYSULFONE
31	NATURAL POLYSULFONE

THIRD ANGLE PROJECTION

INCHES [MM]

TOLERANCES UNLESS OTHERWISE NOTED

ALL DIMENSIONS WITHOUT TOLERANCES ARE FOR REFERENCE ONLY.

PER ASME Y14.5M-1994

PROPRIETARY ITEM
EXCEPT FOR USES EXPRESSLY GRANTED IN WRITING, INFORMATION DISCLOSED HEREON IS CONFIDENTIAL AND ALL RIGHTS, PATENT AND OTHERWISE, ARE RESERVED BY SOUTHCO, INC.

southco[®]
CONNECT • CREATE • INNOVATE

DESCRIPTION
NYLATCH™ PANEL FASTENER
1/4-TURN

SIZE A SYSTEM NX DWG NO. J-NY-N6

DRAWN BY TMS/ DATE 26AUG2008 SCALE 2:1 SHEET 1 of 1