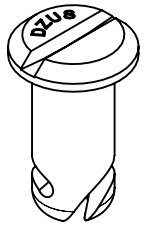
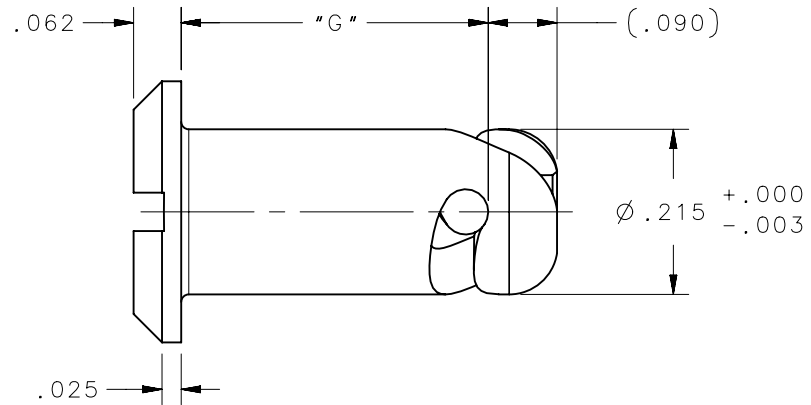
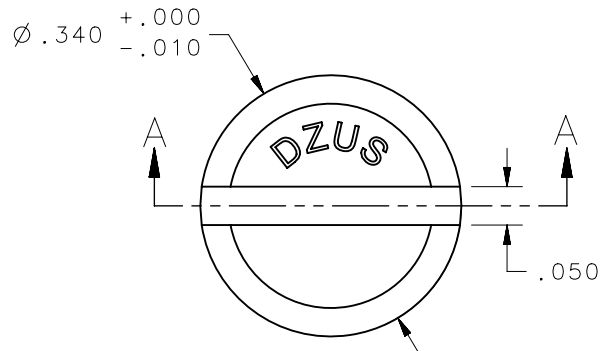


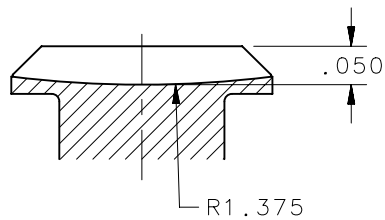
REVISION HISTORY			
REV	DATE	BY	DESCRIPTION
D	02MAR2016	CMS/JW	PRN: P2016-0460



SCALE 2:1



PART NUMBER D5-PF35-40XXXNA SHOWN



SECTION A-A

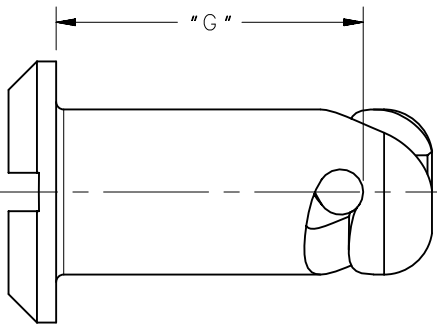
NOTES:

A. SEE SHEET 2 FOR ADDITIONAL PART NUMBERS, LENGTHS AND DFCI/DZUS/SOUTHCO CROSS REFERENCE TABLE.

	THIRD ANGLE PROJECTION	 CONNECT • CREATE • INNOVATE			
	INCHES [MM]				
CAGE CODE	72794	TOLERANCES UNLESS OTHERWISE NOTED		DESCRIPTION	
SURFACE AREA	.638 in ²	ALL DIMENSIONS WITHOUT TOLERANCES ARE FOR REFERENCE ONLY.		D5 PANEL STUD	
VOLUME	.018 in ³				
PROPRIETARY ITEM	EXCEPT FOR USES EXPRESSLY GRANTED IN WRITING, INFORMATION DISCLOSED HEREON IS CONFIDENTIAL AND ALL RIGHTS, PATENT AND OTHERWISE, ARE RESERVED BY SOUTHCO, INC.	SIZE	SYSTEM	DWG NO.	
		A	NX	J-D5-PF35NA	
	PER ASME Y14.5M-1994	DRAWN BY	DATE	SCALE	SHEET
		CMS/JCG	21 JAN 2015	4:1	1 OF 2

REVISION HISTORY			
REV	DATE	BY	DESCRIPTION
D	02MAR2016	CMS/JW	PRN: P2016-0460

DFCI PART NUMBER	OLD DZUS PART NUMBER	SOUTHCO PART NUMBER	DIM "G"	MATERIAL	FINISH
3506-29-C3C	PF35-29CBC	D5-PF35-29CBCNA	.290	STEEL	CADMIUM ELECTROPLATED
3506-32-C3C	PF35-32CBC	D5-PF35-32CBCNA	.320	STEEL	CADMIUM ELECTROPLATED
3506-38-BOC	PF35-38RB	D5-PF35-38RBNA	.380	STEEL	BLACK OXIDE PLUS COPPER SEALER
3506-38-C3C	PF35-38CBC	D5-PF35-38CBCNA	.380	STEEL	CADMIUM ELECTROPLATED
3506-38-C3Y	PF35-38CBY	D5-PF35-38CBYNA	.380	STEEL	CADMIUM ELECTROPLATE PLUS YELLOW CHROMATE
3506-38D-Z3B	PF35-38DZBB	D5-PF35-38DZBBNA	.380	STEEL	ZINC ELECTROPLATE PLUS BLACK CHROMATE
3506-38-SS	PF35-38SS	D5-PF35-38SSNA	.380	STAINLESS STEEL	PASSIVATED
3506-38-Z3B	PF35-38ZBB	D5-PF35-38ZBBNA	.380	STEEL	ZINC ELECTROPLATE PLUS BLACK CHROMATE
3506-38-Z3BT	PF35-38	D5-PF35-38ZBTNA	.380	STEEL	ZINC PLATE PLUS BLACK CHROMATE
3506-38-Z3CT	PF35-38	D5-PF35-38ZCTNA	.380	STEEL	ZINC PLATE PLUS BRIGHT CHROMATE
3506-38-Z3YT	PF35-38ZYT	D5-PF35-38ZYTNA	.380	STEEL	ZINC PLATE PLUS YELLOW CHROMATE
3506-39-C3C	PF35-39CBC	D5-PF35-39CBCNA	.390	STEEL	CADMIUM ELECTROPLATED
3506-40-C3C	PF35-40CBC	D5-PF35-40CBCNA	.400	STEEL	CADMIUM ELECTROPLATED
3506-40-Z3CT	PF35-40	D5-PF35-40ZCTNA	.400	STEEL	ZINC PLATE PLUS BRIGHT CHROMATE
3506-41-BOC	PF35-41RB	D5-PF35-41RBNA	.410	STEEL	ZINC PLATE, BLACK OXIDE PLUS COPPER SEALER
3506-41-Z3CT	PF35-41	D5-PF35-41ZCTNA	.410	STEEL	ZINC PLATE PLUS BRIGHT CHROMATE
3506-42-C3C	PF35-42CBC	D5-PF35-42CBCNA	.420	STEEL	CADMIUM ELECTROPLATED
3506-42-Z3B	PF35-42ZBB	D5-PF35-42ZBBNA	.420	STEEL	ZINC ELECTROPLATE PLUS BLACK CHROMATE
3506-42-Z3CT	PF35-42	D5-PF35-42ZCTNA	.420	STEEL	ZINC PLATE PLUS BRIGHT CHROMATE
3506-43-Z3BT	PF35-43	D5-PF35-43ZBTNA	.430	STEEL	ZINC PLATE PLUS BLACK CHROMATE
3506-44-BOC	PF35-44RB	D5-PF35-44RBNA	.440	STEEL	BLACK OXIDE PLUS COPPER SEALER
3506-44-C3C	PF35-44CBC	D5-PF35-44CBCNA	.440	STEEL	CADMIUM ELECTROPLATED
3506-44D-K3B	PF35-44BB	D5-PF35-44DKBBNA	.440	STEEL	N/A
3506-44-SS	PF35-44SS	D5-PF35-44SSNA	.440	STAINLESS STEEL	PASSIVATED
3506-44-K3B	PF35-44KBB	D5-PF35-44KBBNA	.440	STEEL	BLACK CHROMIUM PLATED
3506-44-Z3BT	PF35-44ZBT	D5-PF35-44ZBTNA	.440	STEEL	ZINC PLATE PLUS BLACK CHROMATE
3506-44-Z3CT	PF35-44	D5-PF35-44ZCTNA	.440	STEEL	ZINC PLATE PLUS BRIGHT CHROMATE
3506-44-Z3B	PF35-44-ZBB	D5-PF35-44ZBBNA	.440	STEEL	ZINC ELECTROPLATE PLUS BLACK CHROMATE
3506-45-C3Y	PF35-45CBY	D5-PF35-45CBYNA	.450	STEEL	CADMIUM ELECTROPLATE PLUS YELLOW CHROMATE
3506-46-Z3B	PF35-46ZBB	D5-PF35-46ZBBNA	.460	STEEL	ZINC ELECTROPLATE PLUS BLACK CHROMATE
3506-47-C3C	PF35-47CBC	D5-PF35-47CBCNA	.470	STEEL	CADMIUM ELECTROPLATED
3506-48-BOC	PF35-48RB	D5-PF35-48RBNA	.480	STEEL	BLACK OXIDE PLUS COPPER SEALER
3506-48-Z3CT	PF35-48	D5-PF35-48ZCTNA	.480	STEEL	ZINC PLATE PLUS BRIGHT CHROMATE
3506-50DK3B	PF35-50DKBB	D5-PF35-50DKBBNA	.500	STEEL	BLACK CHROMIUM PLATED
3506-53-C3C	PF35-53CBC	D5-PF35-53CBCNA	.530	STEEL	CADMIUM ELECTROPLATED
3506-53-Z3B	PF35-53ZBB	D5-PF35-53ZBBNA	.530	STEEL	ZINC ELECTROPLATE PLUS BLACK CHROMATE
3506-54-C3C	PF35-54CBC	D5-PF35-54CBCNA	.540	STEEL	CADMIUM ELECTROPLATED
3506-56-C3C	PF35-56CBC	D5-PF35-56CBCNA	.560	STEEL	CADMIUM ELECTROPLATED
3506-57-Z3CT	PF35-57	D5-PF35-57ZCTNA	.570	STEEL	ZINC PLATE PLUS BRIGHT CHROMATE
3506-58-C3C	PF35-58CBC	D5-PF35-58CBCNA	.580	STEEL	CADMIUM ELECTROPLATED
3506-59-Z3CT	PF35-59	D5-PF35-59ZCTNA	.590	STEEL	ZINC PLATE PLUS BRIGHT CHROMATE
3506-63-C3C	PF35-63CBC	D5-PF35-63CBCNA	.630	STEEL	CADMIUM ELECTROPLATED



<small>PROPRIETARY ITEM EXCEPT FOR USES EXPRESSLY GRANTED IN WRITING, INFORMATION DISCLOSED HEREON IS CONFIDENTIAL AND ALL RIGHTS, PATENT AND OTHERWISE, ARE RESERVED BY SOUTHCO, INC.</small>	THIRD ANGLE PROJECTION			
	INCHES [MM]			
	TOLERANCES UNLESS OTHERWISE NOTED	DESCRIPTION D5 PANEL STUD		
	ALL DIMENSIONS WITHOUT TOLERANCES ARE FOR REFERENCE ONLY.	SIZE A	SYSTEM NX	DWG NO. J-D5-PF35NA
PER ASME Y14.5M-1994	DRAWN BY CMS/JCG	DATE 21JAN2015	SCALE 4:1	SHEET 2 OF 2