



V7 Draw Latch

Over-center · Stainless steel

- Sleek, smooth low profile design
- Locking and non-locking
- Robust, riveted, tamper-resistant construction

Material and Finish

316 Grade stainless steel
electropolished

Performance Details

Maximum working load:
1200 N (270 lbf)

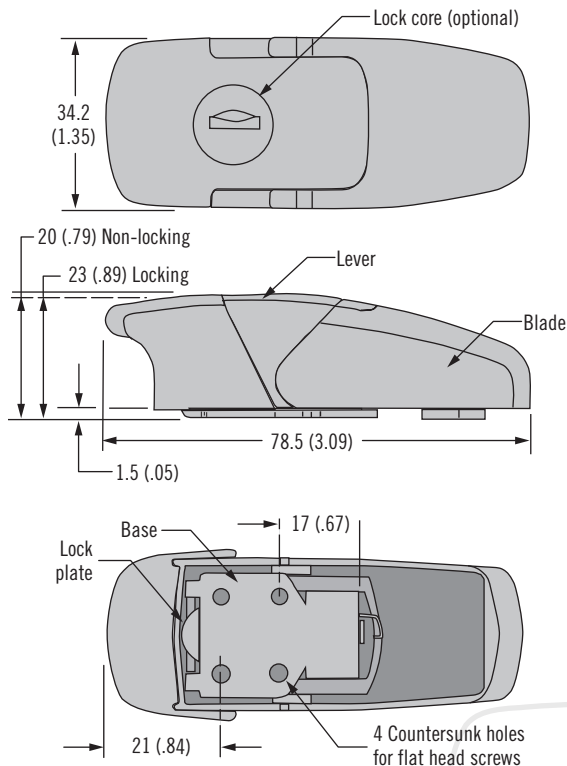
Installation Notes

Install assembly with six M3 (No. 4)
flat head screws (not supplied)

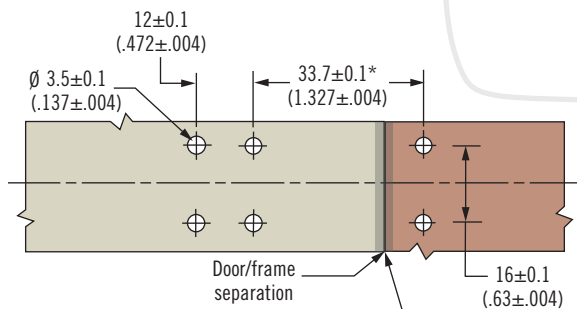
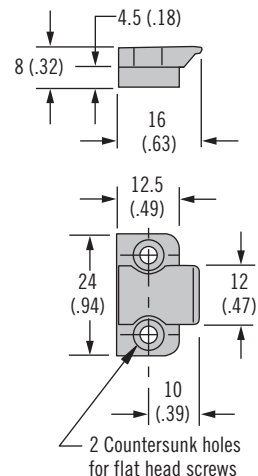
Keys

Overmolded key S008 (pair)
Part number: M1-525-39-S008

Latch



Keeper



*Gasket recommended to accommodate panel variations

Part Number

See table

Assembly complete with keeper

Description	Part Number
Non-locking	V7-20-101-24
Locking keyed alike key code S008 (2 keys supplied)	V7-20-111-24

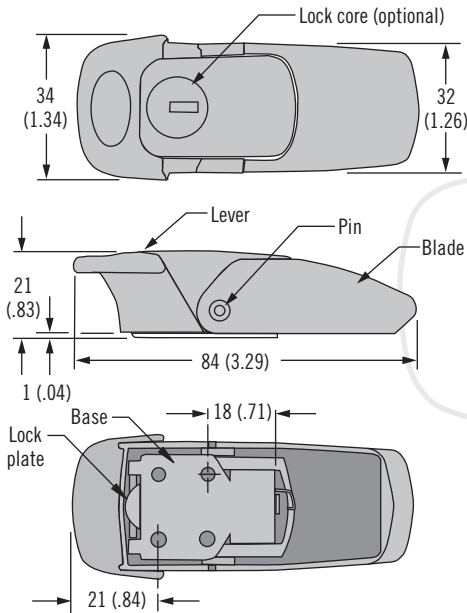
Dimensions in millimeters (inch) unless otherwise stated

V7 Draw Latch

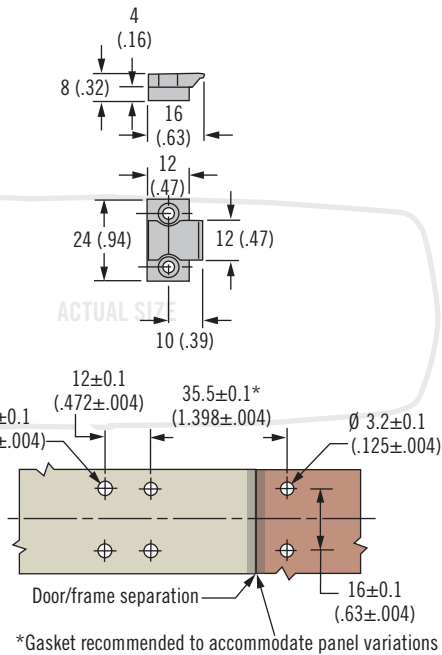
Over-center · Zinc alloy



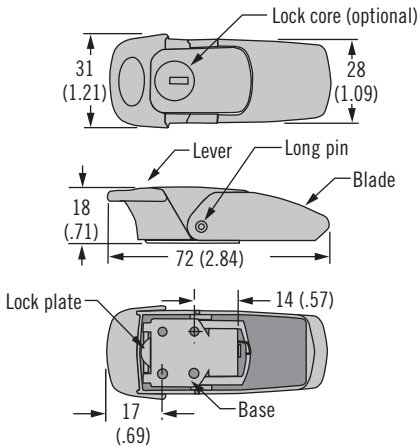
Latch Large



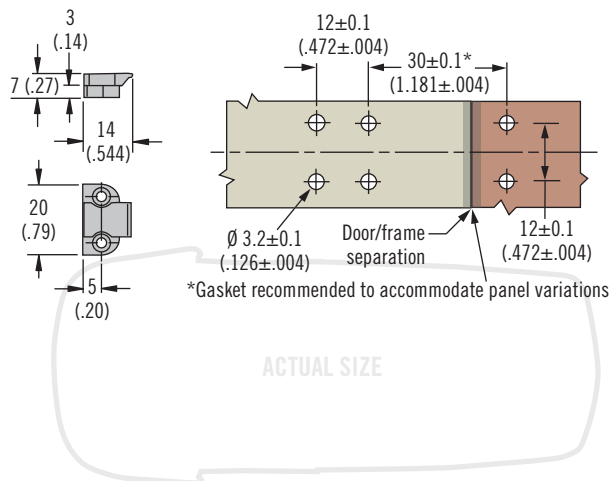
Keeper



Latch Small



Keeper



- Sleek, smooth low profile design
- Locking and non-locking
- Robust, riveted, tamper-resistant construction

Material and Finish

Zinc alloy, chrome plated or powder coated and stainless steel

Performance Details

Maximum working load:
1200 N (270 lbf)

Installation Notes

Install assembly with six M3 (No. 4) flat head screws (not supplied)

Keys

Key code S010 (pair)
Part number: V7-KEYS

Description	Part Number		
	Bright Chrome	Chrome	Black Powder Coated
Small, non-locking	V7-10-105-10	V7-10-105-20	V7-10-105-50
Small, locking (2 keys supplied)	V7-10-115-10	V7-10-115-20	V7-10-115-50
Large, non-locking	V7-20-101-10	V7-20-101-20	V7-20-101-50
Large, locking (2 keys supplied)	V7-20-111-10	V7-20-111-20	V7-20-111-50

Part Number

See table

Assembly complete with keeper

