



V2 Draw Latch

Over-center

- Torsion spring to accommodate application variances

Material and Finish

Stainless steel or steel, zinc plated

Performance Details

Steel

Clamping force:

330 N (75 lbf) Minimum

700 N (160 lbf) Maximum

Stainless Steel

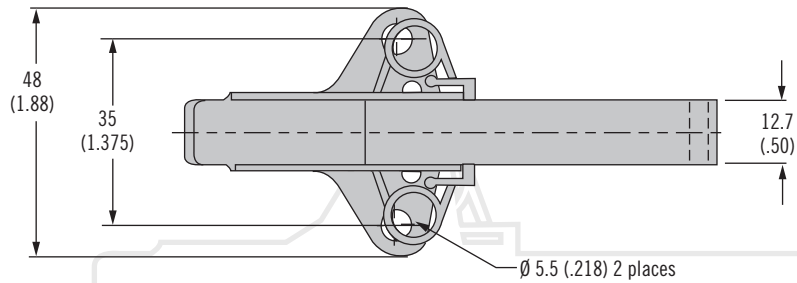
Clamping force:

260 N (60 lbf) Minimum

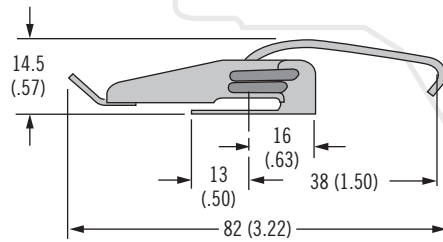
530 N (120 lbf) Maximum

Notes

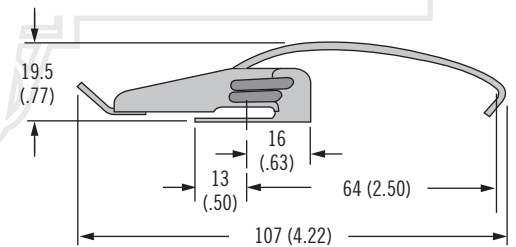
Spring loaded anchor plate compensates up to 2.3 (0.09) for irregularities in sealing and gasket set



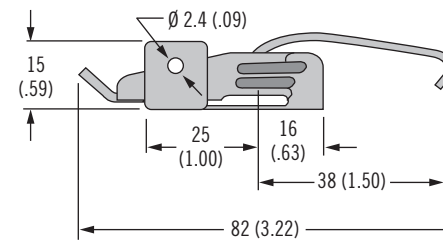
Short Blade



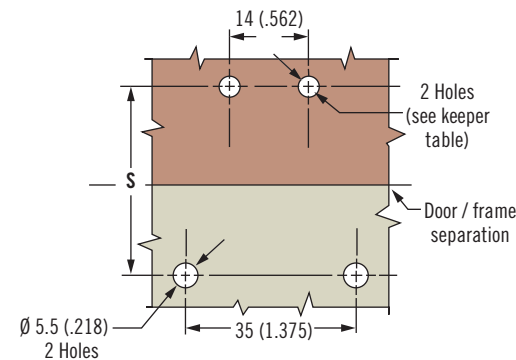
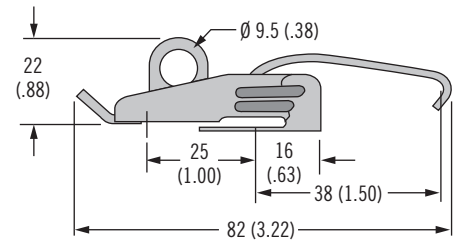
Long Blade



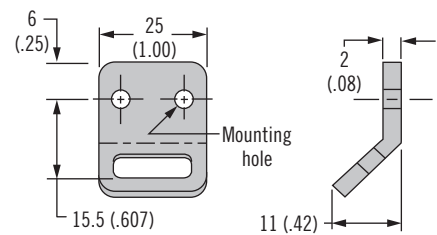
Wire Sealing



Padlockable



Keeper



Part Number

See table

Order latch and keeper separately

Description	Style	S Dimension		Part Number	
		Minimum	Maximum	Steel	Stainless Steel
Latch	Short blade	55 (2.17)	57.3 (2.26)	V2-0025-07	V2-0025-52
	Long blade	80.7 (3.17)	83 (3.26)	V2-0068-07	~
	Wire sealing	55 (2.17)	57.3 (2.26)	V2-0034-07	V2-0034-52
	Padlockable	55 (2.17)	57.3 (2.26)	V2-0026-07	V2-0026-52
Keeper	Ø 3.4 (.135) mounting holes		V2-0018-07	V2-0018-52	
	Ø 5.5 (.218) mounting holes		V2-0054-07	V2-0054-52	

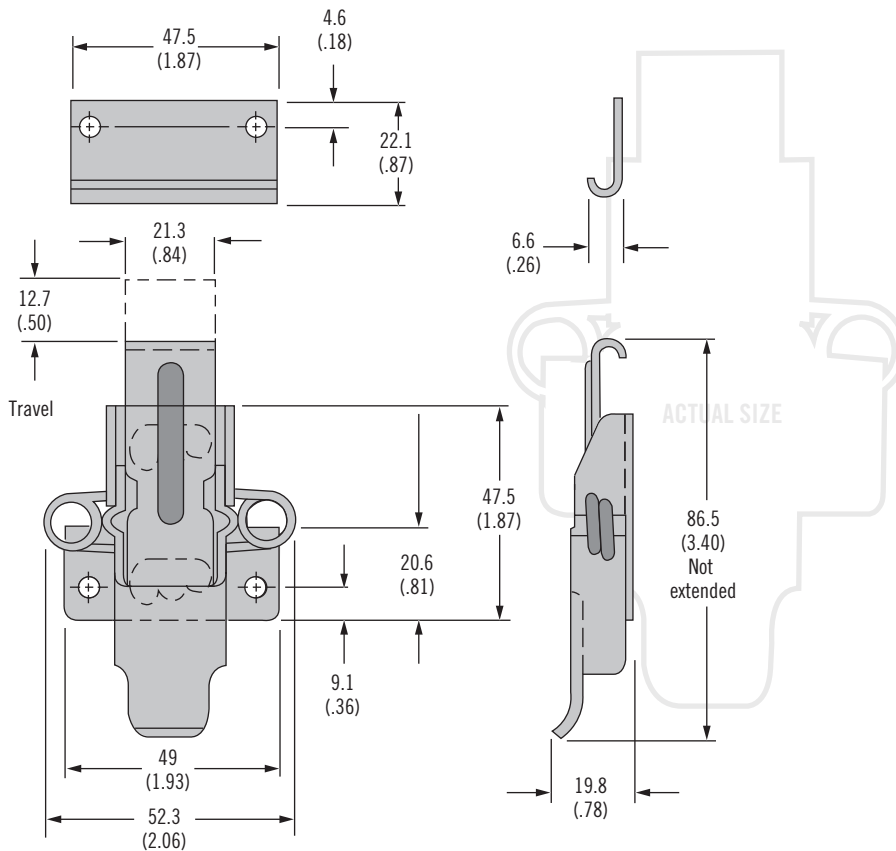
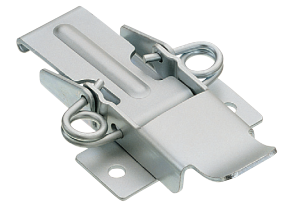
Other options available. For complete details on variety, part numbers, installation and specification, go to

INFO CLIC www.southco.com/V2

Dimensions in millimeters (inch) unless otherwise stated

V4 Draw Latch

Over-center



- Torsion spring to accommodate application variances

Material and Finish

Stainless steel or steel, zinc plated

Performance Details

Steel

Average ultimate load:
3500 N (786 lbf)

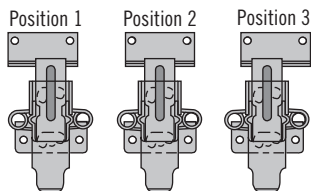
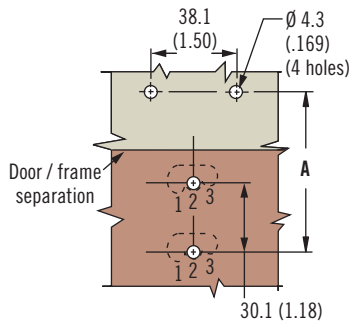
Stainless Steel

Average ultimate load:
3800 N (850 lbf)

Notes

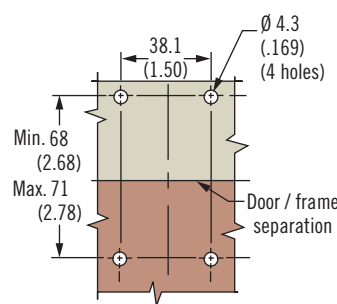
Spring loaded anchor plate compensates up to 2.3 (.09) for irregularities in sealing and gasket set

Adjustable Installation



Position Number	Dimensions A	
	Minimum	Maximum
1	71.4 (2.81)	73.7 (2.90)
2	69.9 (2.75)	72.1 (2.84)
3	68 (2.68)	70.6 (2.78)

Fixed Installation



Description	Part Number	
	Steel	Stainless Steel
Latch	V4-0006-02	V4-0006-52
Keeper	V4-0009-02	V4-0009-52

Part Number

See table

Order latch and keeper separately

Other options available. For complete details on variety, part numbers, installation and specification, go to



www.southco.com/V4