



KEEPER, VERSA LATCH 200

DATE

DRAWN

CHKD

SCALE

DRAWING NUMBER

14AUG92

PEK

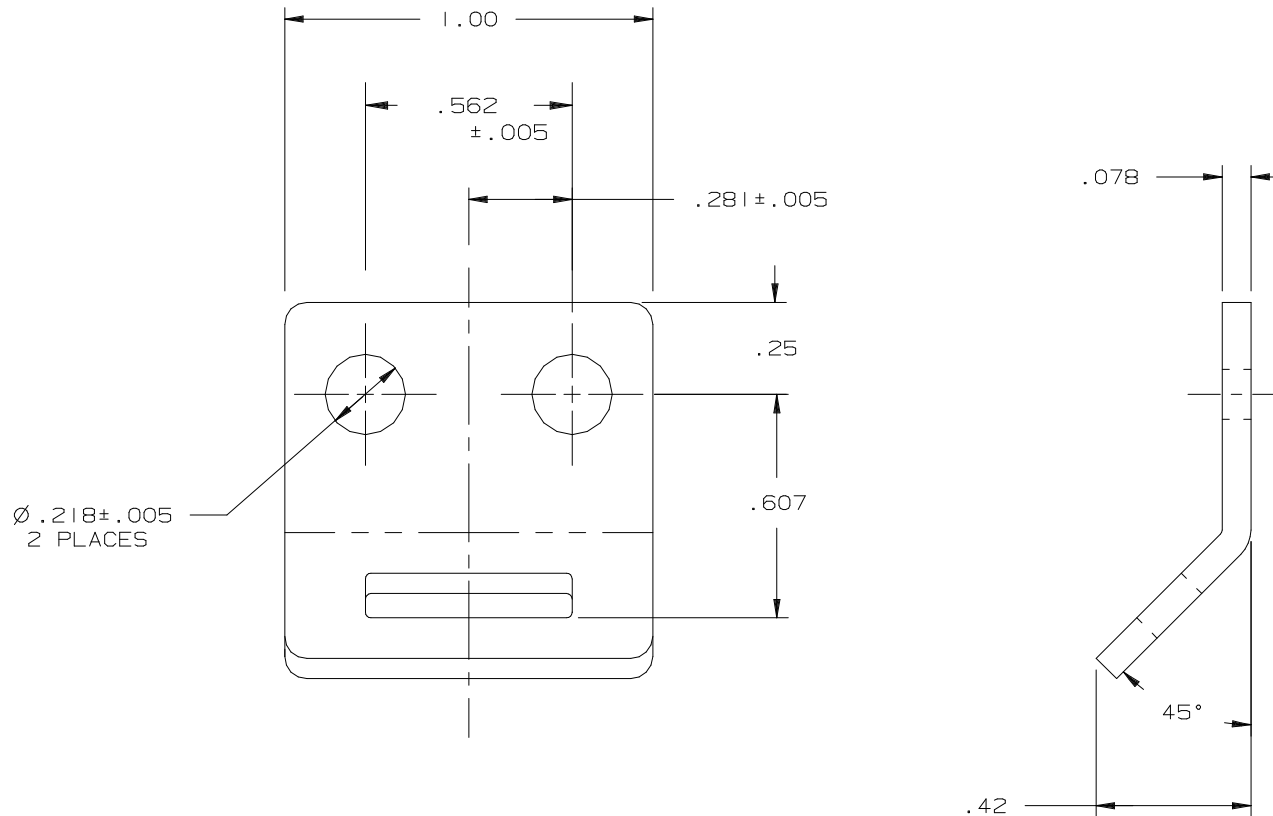
2 : 1

J-V2-0054

REV.	DATE	BY-CHKD	REVISIONS	NUMBER	MATERIAL	FINISH			
A	20NOV95	CHW	PRN: V2-12	V2-0054-07	CARBON STEEL	SEE NOTE A			
B	23SEPT97	ESK	PRN: V2-39	V2-0054-52	STAINLESS	NATURAL			
C	14NOV97	ESK	PRN: V2-39A (DELETED P/N V2-0054-75; ADDED P/N V2-0054-90).	V2-0054-90	CARBON STEEL	SEE NOTE B			
D	17JUN98	JGK	PRN: V2-39B (ADDED P/N V2-0054-75)	V2-0054-75	CARBON STEEL	SEE NOTE C			

NOTES:

- A - ZINC PLATE, BRIGHT DIP.
- B - ZINC PLATE, CHROMATE PLUS SEALER.
- C - ZINC ALLOY PLATE BRIGHT CHROMATE.



FORMAT 1 MAR 94

PROPRIETARY ITEM - EXCEPT FOR USES EXPRESSLY GRANTED IN WRITING
 INFORMATION DISCLOSED HEREON IS CONFIDENTIAL AND ALL RIGHTS PATENT
 AND OTHERWISE ARE RESERVED BY SOUTHCO, INC.

DIMENSIONS
 ARE IN
 INCHES

DIMENSIONS WITHOUT TOLERANCES
 ARE FOR REFERENCE ONLY

DRAWING NUMBER

J-V2-0054