



KEEPER VERSA LATCH 200 SERIES

DATE

DRAWN

CHKD

SCALE

DRAWING NUMBER

05MAR97

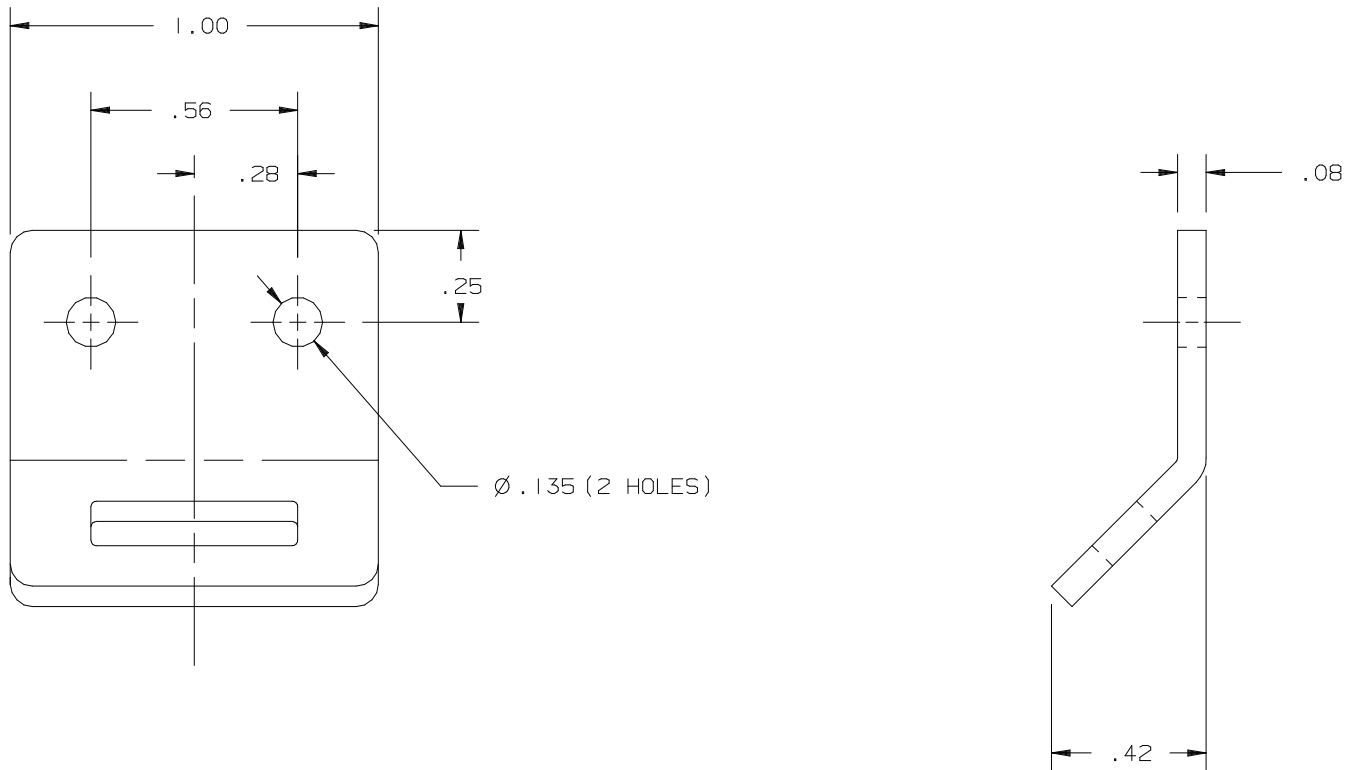
S W D

2 : 1

J-V2-0018

REV.	DATE	BY-CHKD	REVISIONS	PART NUMBER	MATERIAL	FINISH			
				V2-0018-07	1020 STEEL	SEE NOTE A			
				V2-0018-52	304 STAINLESS STEEL	NATURAL			
				V2-0018-69	1020 STEEL	BLACK E-COAT			

NOTE A: ZINC PLATE, CHROMATE DIP.



FORMAT 1 MAR 94

PROPRIETARY ITEM - EXCEPT FOR USES EXPRESSLY GRANTED IN WRITING INFORMATION DISCLOSED HEREON IS CONFIDENTIAL AND ALL RIGHTS PATENT AND OTHERWISE ARE RESERVED BY SOUTHCO, INC.

DIMENSIONS IN INCHES
THIRD ANGLE PROJECTION

DIMENSIONS WITHOUT TOLERANCES ARE FOR REFERENCE ONLY.

DRAWING NUMBER

J-V2-0018