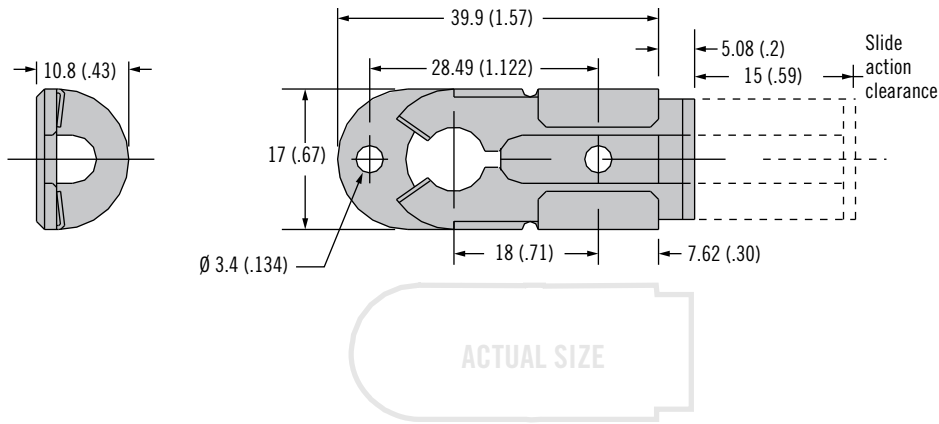


# TL Slide Latch

Steel · Slide to close

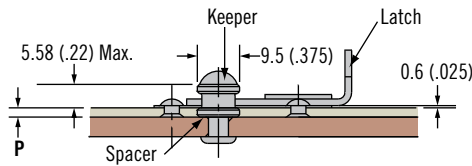


- Slide to secure
- Vibration dampening

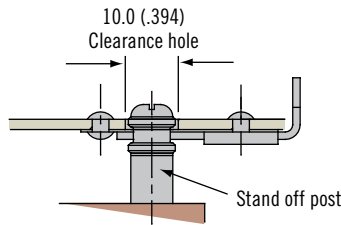
### Material and Finish

Steel, zinc plated

### Surface Mount



### Concealed Mount

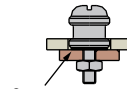


Panel Thickness	Required Number of Spacers
1.17 - 2.03 (.046 - .080)	None
2.05 - 3.25 (.081 - .128)	One
3.28 - 4.06 (.129 - .160)	Two

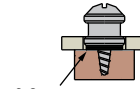
3.96 (.156)  
Rivet



No.8  
Screw & nut



No.8 RD. HD.  
Wood screw



Spacer

2 Spacers

Inside diameter of keeper and spacer: 4.4 (0.17)

Material	Latch		Keeper	Spacer
	Surface Mount	Concealed Mount		
Steel, zinc plated	TL-05-100-07	TL-05-110-07	TL-05-117-07	TL-05-114-07
Stainless Steel	TL-05-100-52	TL-05-110-52	TL-05-117-52	~

### Part Number

See table