

southco®

PROPRIETARY ITEM - EXCEPT FOR USES EXPRESSLY GRANTED IN WRITING INFORMATION DISCLOSED HEREON IS CONFIDENTIAL AND ALL RIGHTS PATENT AND OTHERWISE ARE RESERVED BY SOUTHCO, INC.

T9 CABINET LATCH

DATE	DRAWN	CHKD	SCALE	DRAWING NUMBER
06JUN2008	MJS	MJS	1.5:1	J-T9-10-101

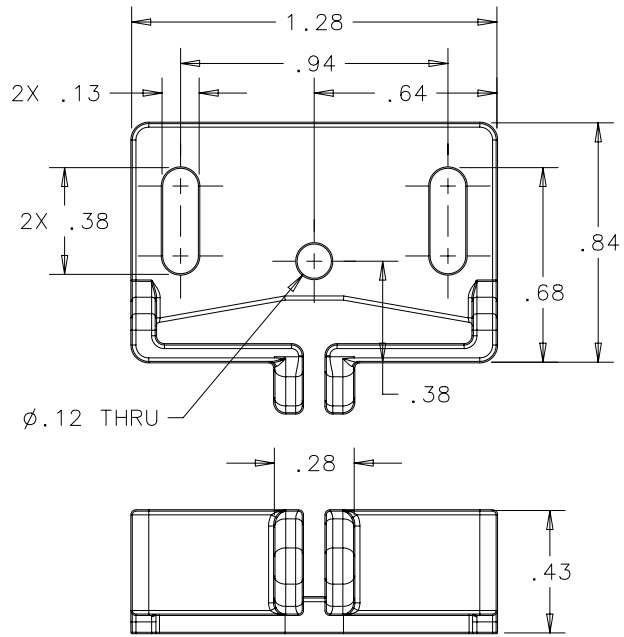
REV	DATE	DRAWN/CHKD	DESCRIPTION	ITEM	PART NUMBER	MATERIAL	COLOR
A	06JUN2008	MJS/MJS	INITIAL DRAWING RELEASE	ASSEMBLY	T9-10-101-50	-	-
				CATCH	120508-1	ACETAL	BLACK
				STRIKER	120551-1	ACETAL	BLACK
				ASSEMBLY	T9-10-101-70	-	-
				CATCH	120508-2	ACETAL	WHITE
				STRIKER	120551-2	ACETAL	WHITE

INCHES

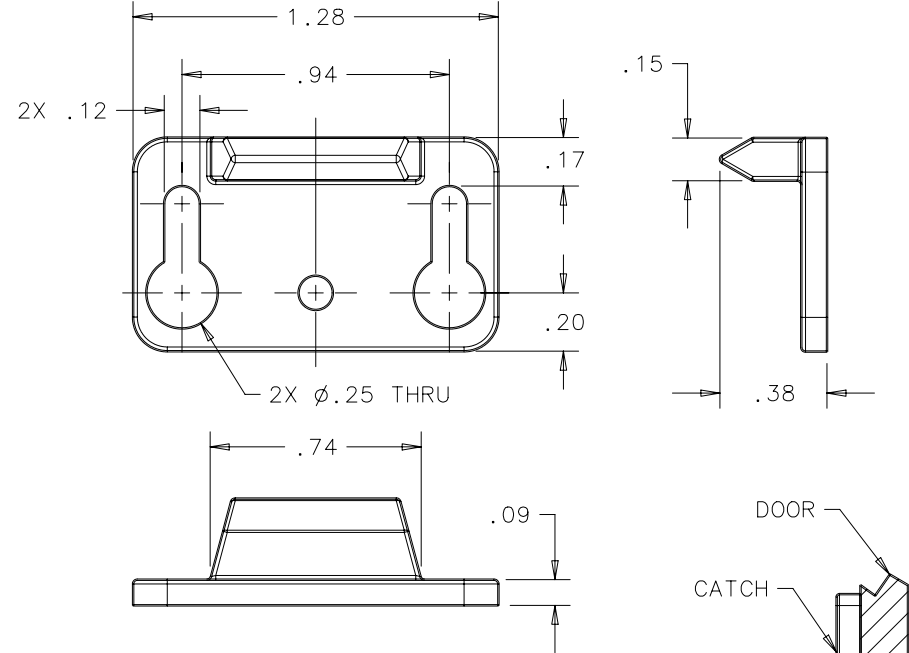
ALL DIMENSIONS WITHOUT TOLERANCES ARE FOR REFERENCE ONLY.

THIRD ANGLE PROJECTION

A PAPER SIZE



CATCH



STRIKER

