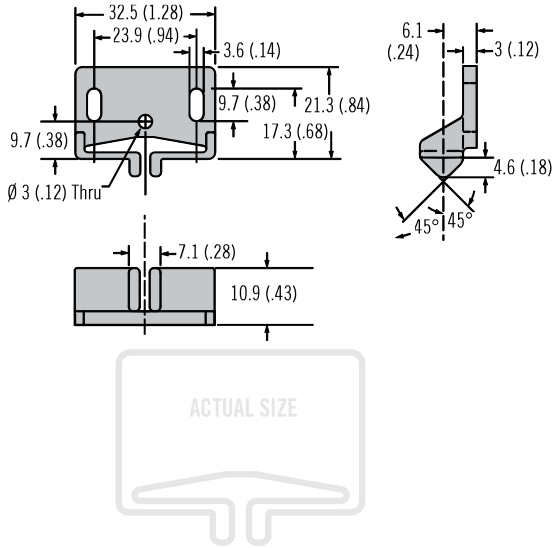


# T9 Push-to-Close Latch

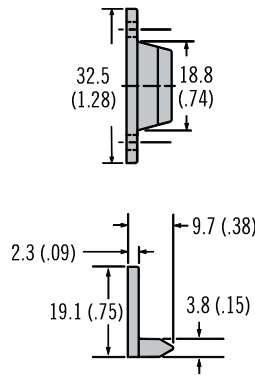
## Pull-to-open · Cabinet catches



### Catches



### Keeper



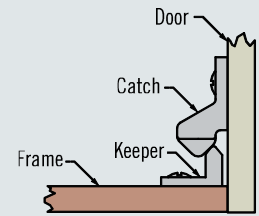
Color	Part Number
Black	T9-10-101-50
White	T9-10-101-70

- Detent action
- Non-corrosive and non-conductive

### Material and Finish

Latch and keeper:

Acetal, black or white



Other options available. For complete details on variety, part numbers, installation and specification, go to

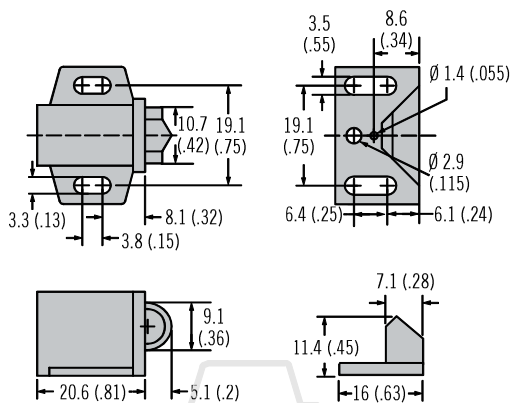
**INFO CLIC** [www.southco.com/T9](http://www.southco.com/T9)

# T9 Push-to-Close

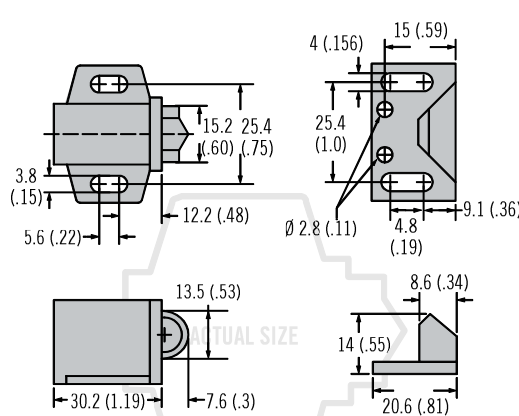
## Pull-to-open · Cabinet catches



### 500 Series



### 800 Series



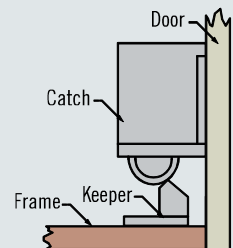
Series	Catch & Keeper Part Number
500	T9-20-501-20
800	T9-20-801-20

- Roller action for smooth consistent operation
- Non-corrosive and non-conductive

### Material and Finish

Latch and keeper:

Acetal, white



Other options available. For complete details on variety, part numbers, installation and specification, go to

**INFO CLIC** [www.southco.com/T9](http://www.southco.com/T9)