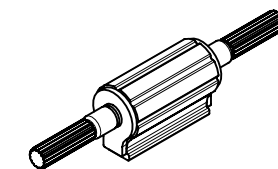
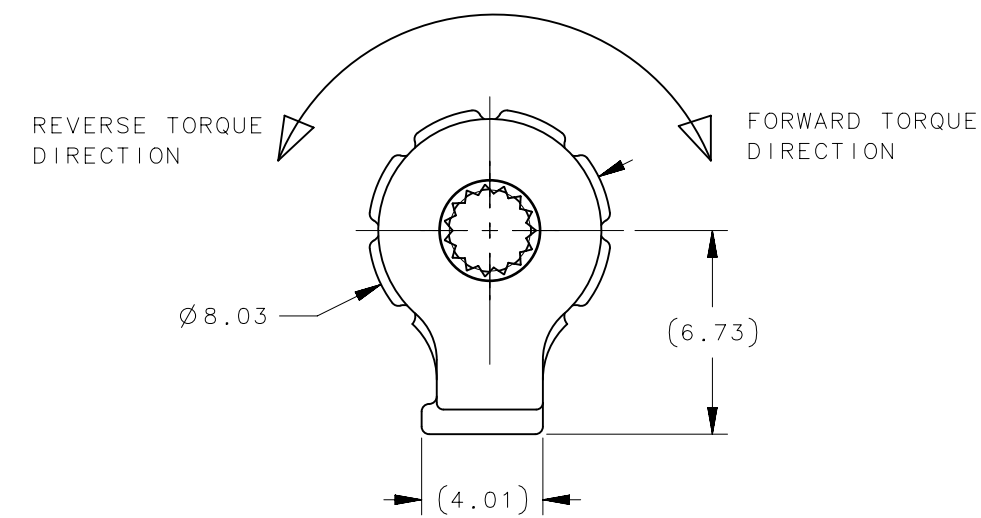
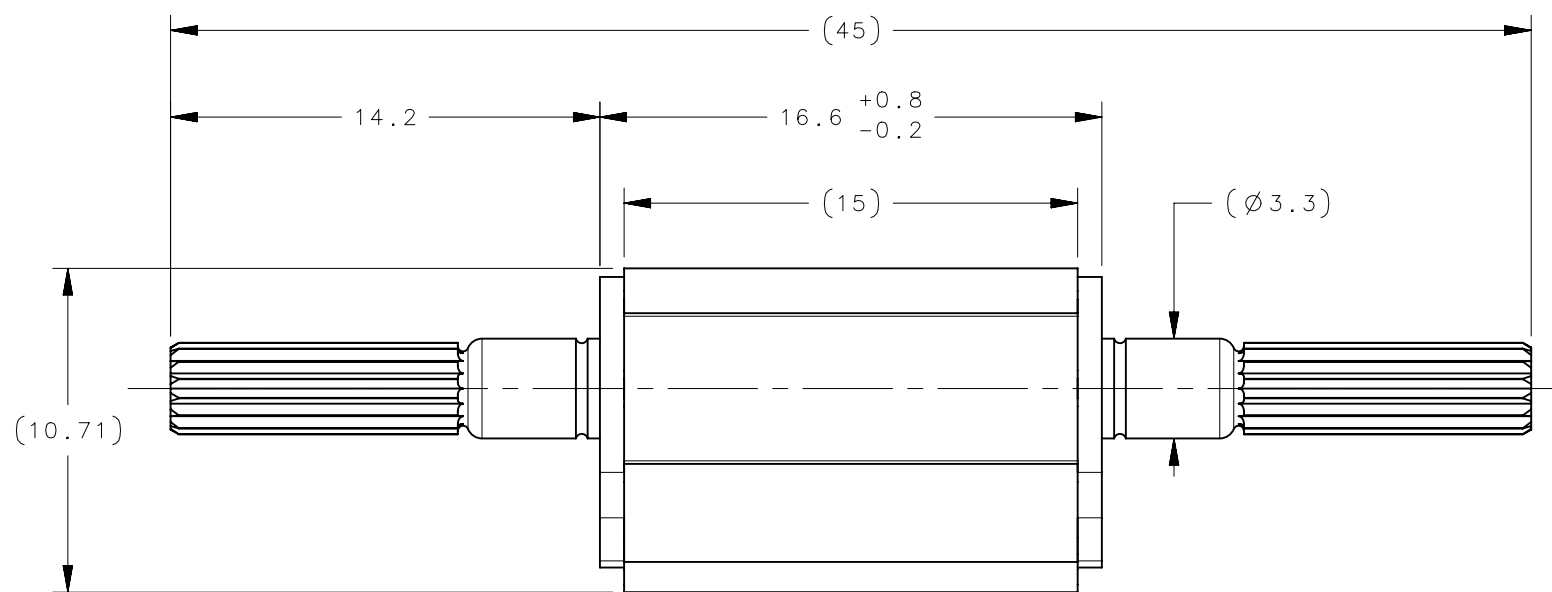


REVISION HISTORY			
REV	DATE	BY	DESCRIPTION
H	21OCT2015	CMS/JCK	PRN: P2015-1576



SCALE 1:1



PART NUMBER	STATIC TORQUE +/-20%	
	FORWARD TORQUE N-m (in-lbf)	REVERSE TORQUE N-m (in-lbf)
ST-8P-40SA-[50]	0.45 (4.0)	0.45 (4.0)
ST-8P-60SA-[50]	0.68 (6.0)	0.68 (6.0)
ST-8P-80SA-[50]	0.90 (8.0)	0.90 (8.0)
ST-8P-40FA-[50]	0.45 (4.0)	0.27 (2.4)
ST-8P-60FA-[50]	0.68 (6.0)	0.41 (3.6)
ST-8P-80FA-[50]	0.90 (8.0)	0.54 (4.8)
ST-8P-100FA-[50]	1.13 (10.0)	0.68 (6.0)
ST-8P-40RA-[50]	0.27 (2.4)	0.45 (4.0)
ST-8P-60RA-[50]	0.41 (3.6)	0.68 (6.0)
ST-8P-80RA-[50]	0.54 (4.8)	0.90 (8.0)
ST-8P-100RA-[50]	0.68 (6.0)	1.13 (10.0)

- NOTES:
- CYCLE LIFE TO BE 20,000 CYCLES WITH LESS THAN 20% TORQUE CHANGE FROM MANUFACTURED VALUE.
 - CIRCLED DIMENSIONS AND SPECIFIED CHARACTERISTICS IN NOTES ARE INSPECTION PARAMETERS TO BE USED FOR STATISTICAL PROCESS CONTROL.
 - MATERIALS:
 - HOUSING: ALUMINUM
 - INTERNAL COMPONENTS: HARDENED STEEL
 - ENDCAPS: NYLON

PROPRIETARY ITEM <small>EXCEPT FOR USES EXPRESSLY GRANTED IN WRITING, INFORMATION DISCLOSED HEREON IS CONFIDENTIAL AND ALL RIGHTS, PATENT AND OTHERWISE, ARE RESERVED BY SOUTHCO, INC.</small>	THIRD ANGLE PROJECTION	 CONNECT • CREATE • INNOVATE	
	MILLIMETERS [IN]		DESCRIPTION HINGE AND CONTROLLED MOTION DEVICE
	TOLERANCES UNLESS OTHERWISE NOTED	ALL DIMENSIONS WITHOUT TOLERANCES ARE FOR REFERENCE ONLY.	SIZE B SYSTEM NX DWG NO. J-ST-8P
	PER ASME Y14.5M-1994	DRAWN BY JJT DATE 06JAN09 SCALE 4:1 SHEET 1 OF 1	