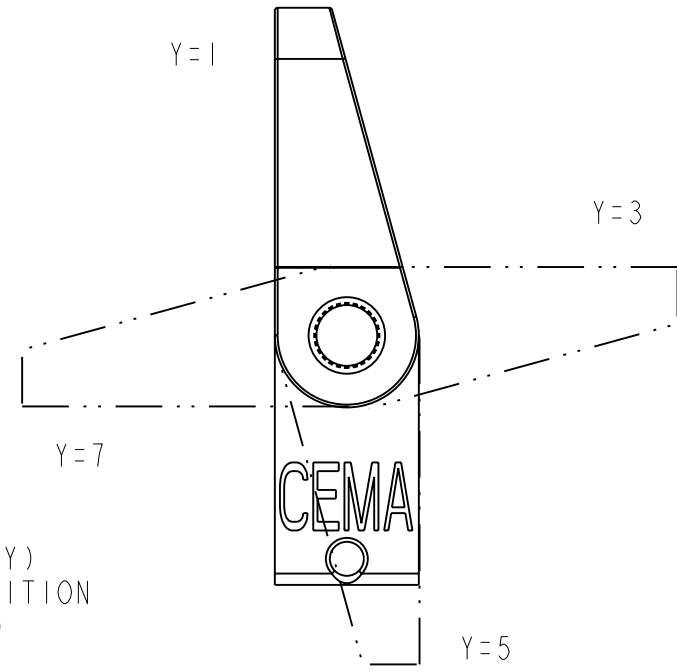


PROPRIETY ITEM - EXCEPT FOR USES EXPRESSLY GRANTED IN WRITING.
 INFORMATION DISCLOSED HEREON IS CONFIDENTIAL AND ALL RIGHTS
 PATENT AND OTHERWISE ARE RESERVED BY SOUTHCO, INC.

PART NUMBER ST-12C- [ZZO] FA [Y] - [XX]

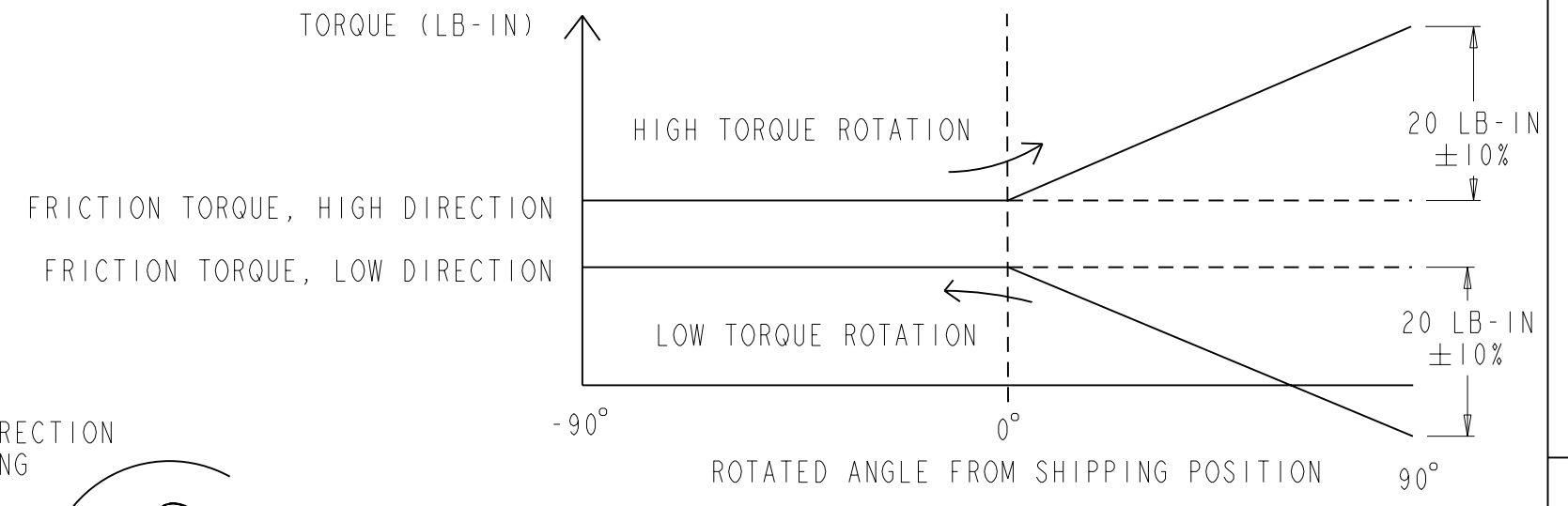
FINISH (XX) PART NUMBER SELECTION	
XX DESIGNATION	FINISH DESCRIPTION
33	NATURAL ZINC
50	FINISH



ADAPTER ANGLE (Y)
 IN SHIPPING POSITION
 (TOLERANCE ±5°)

FRICTION TORQUE IN HIGH DIRECTION (ZZO) PART NUMBER SELECTION (TOLERANCE ±15%)		
ZZO DESIGNATION	HIGH TORQUE (lb-in)	LOW TORQUE (lb-in)
200	20	12
280	28	16.8
360	36	21.6
440	44	26.4

REVISION RECORD			
SYMB	DESCRIPTION	BY	DATE

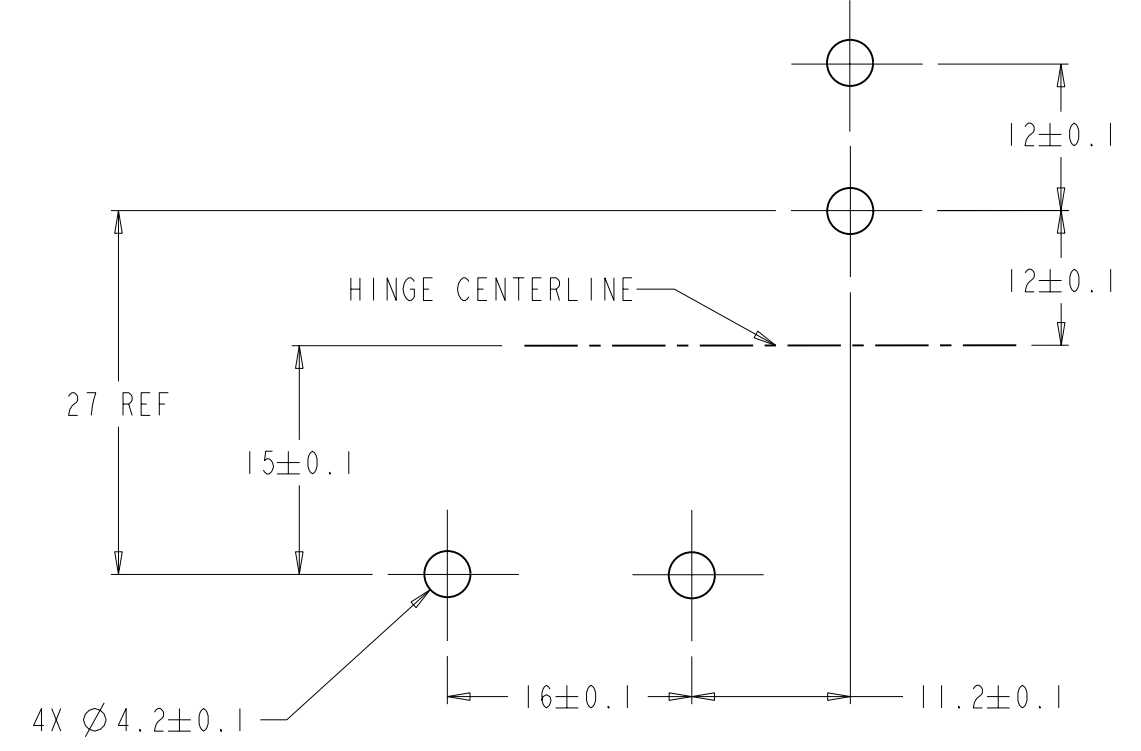
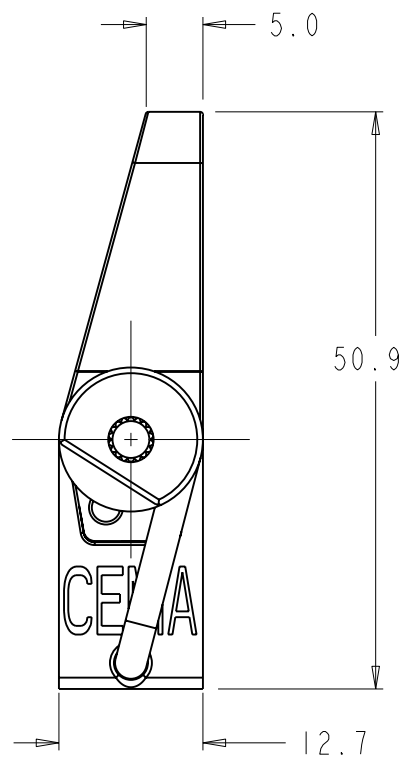
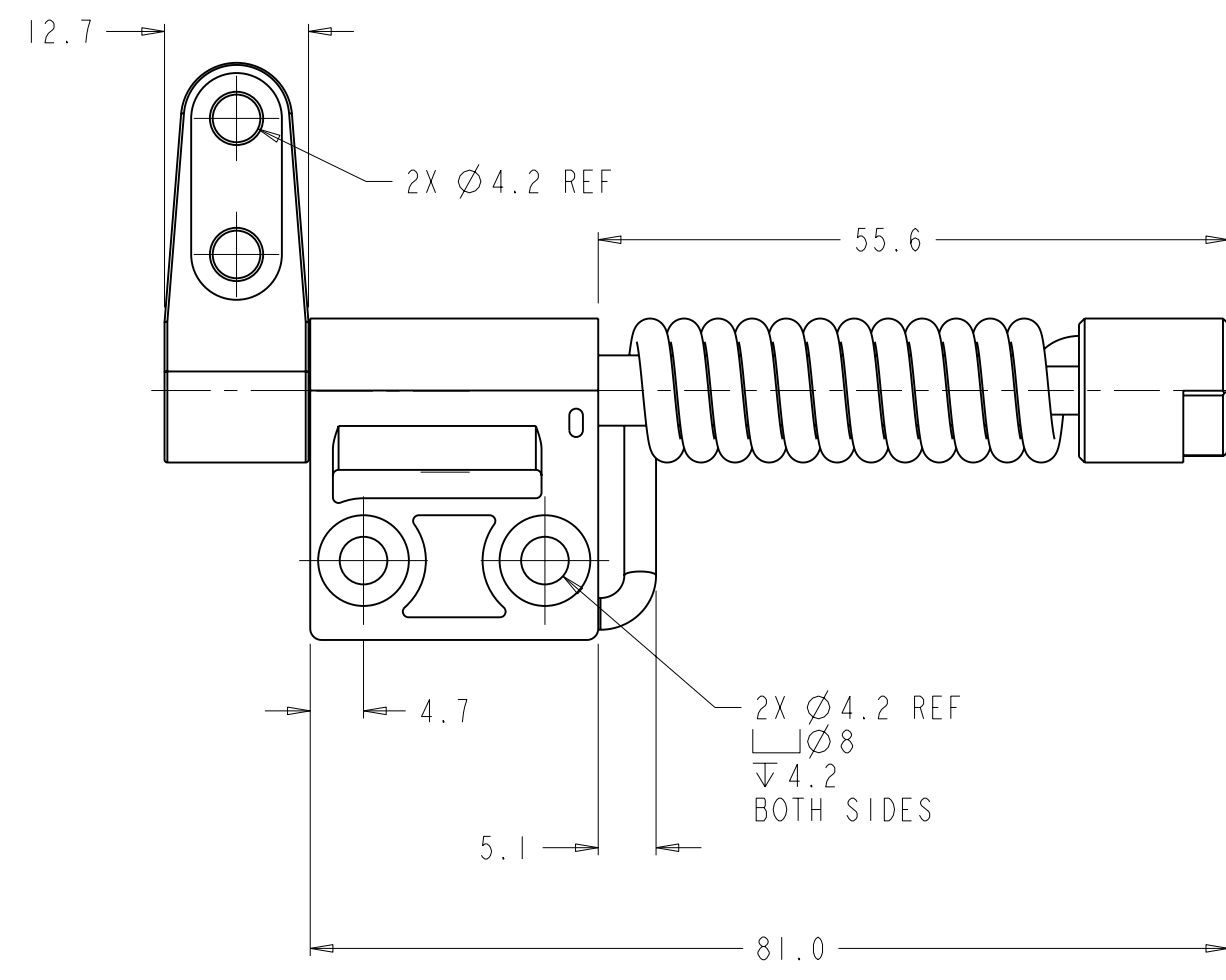
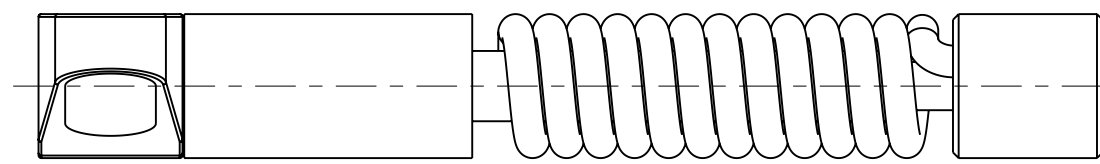


HIGH TORQUE DIRECTION
 ADAPTER ROTATING

HIGH TORQUE DIRECTION
 ADAPTER ROTATING

TYPE A
PART # ST-12C-200FA1-33 (20 lb-in)
(SHOWN DIMENSIONED)

TYPE B
PART # ST-12C-200FB1-33
(MIRROR OF TYPE A)



PANEL PREPARATION

NOTES:

- MATERIALS:
 HOUSING, ADAPTER, BEARING AND SPRING CAP- ZINC ALLOY
 FINISH: SEE TABLE
 SHAFT, PIN AND TORQUE ELEMENTS - HARDENED STEEL
 SPRING - MUSIC WIRE
- INSTALL HINGE USING A No. 8 OR M4 SOCKET HEAD CAP SCREW
- FOR PROPER FUNCTION, ASSEMBLY MUST INCLUDE A MIRRORED PAIR OF (1) TYPE "A" & (1) TYPE "B" HINGE
- ALLOWABLE RANGE OF MOTION: 90 DEGREES IN EITHER DIRECTION FROM SHIPPING POSITION

ALL DIMENSIONS
 ARE IN MILLIMETERS
 ALL DIMENSIONS
 WITHOUT
 TOLERANCES
 ARE FOR
 REFERENCE
 ONLY

southco®

DESIGNER MJC 28NOV06	DRAFTER MJC 28NOV06
MODEL NAME ST-12C-AF	SCALE 1:500
⊙ □	3.2 ALL SURFACES EXCEPT AS NOTED

TITLE ST-12 COUNTERBALANCED HINGE ASSEMBLY	
DWG No J-ST-12C-F	REVISION A
SOUTHCO PART NUMBER AS NOTED	
CALC. WEIGHT	FORMAT C