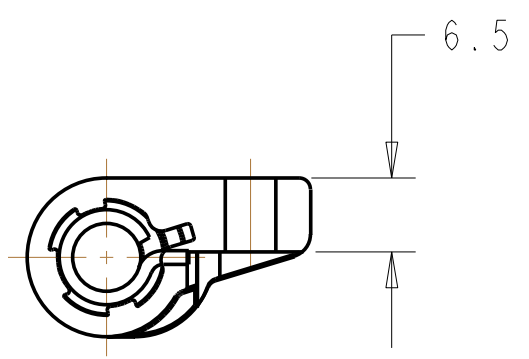
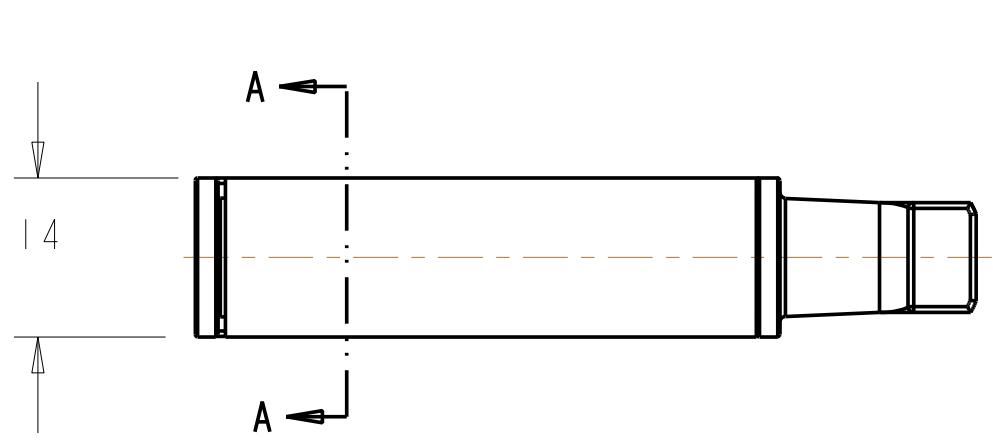
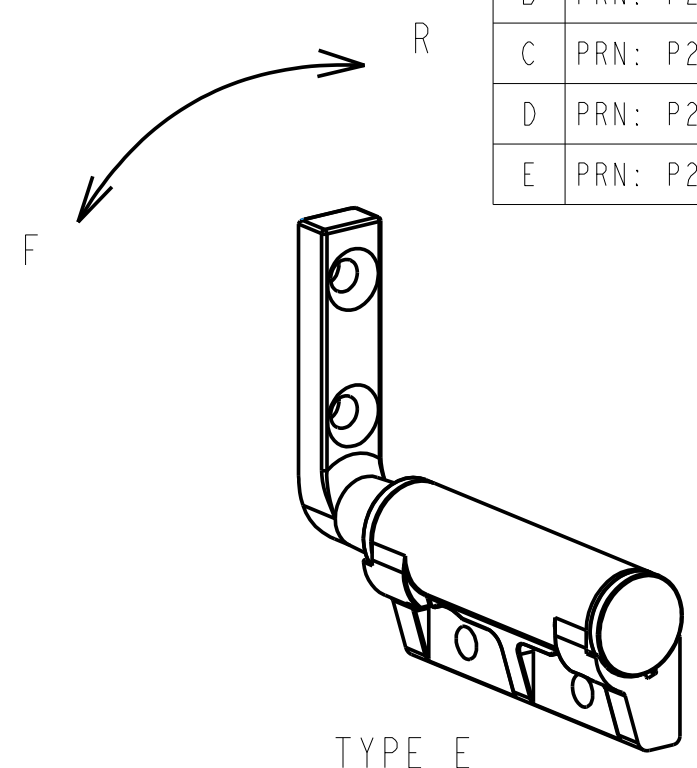


PROPRIETY ITEM - EXCEPT FOR USES EXPRESSLY GRANTED IN WRITING, INFORMATION DISCLOSED HEREON IS CONFIDENTIAL AND ALL RIGHTS PATENT AND OTHERWISE ARE RESERVED BY SOUTHCO, INC.

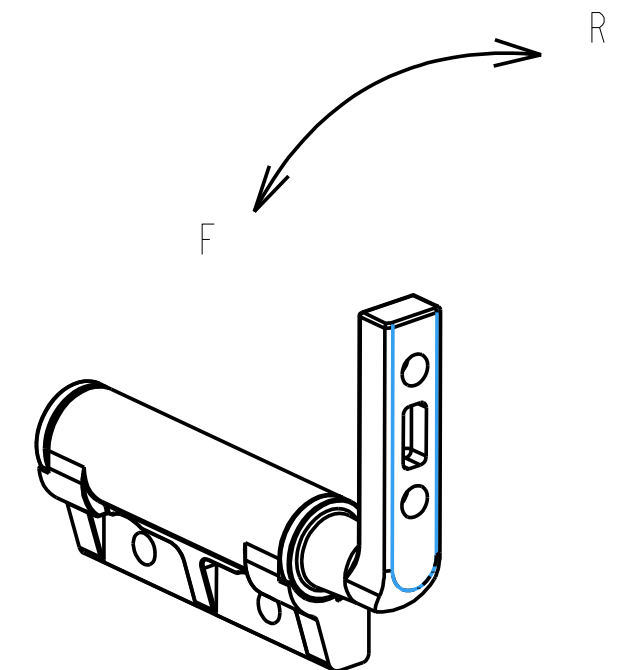
REVISION RECORD			
SYMB	DESCRIPTION	BY	DATE
A	INITIAL RELEASE	GEA	23APR2008
B	PRN: P2008-1009	GEA	30SEP2008
C	PRN: P2008-1372	GEA	15JAN2009
D	PRN: P2009-0201	GEA	23FEB2009
E	PRN: P2011-0912	GEA	14JULY2011



SECTION A-A

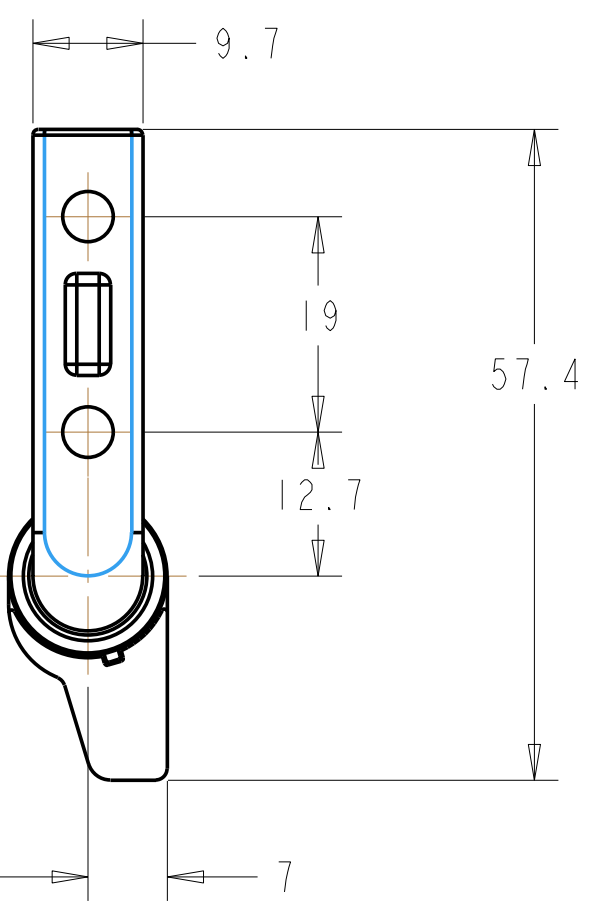


TYPE E

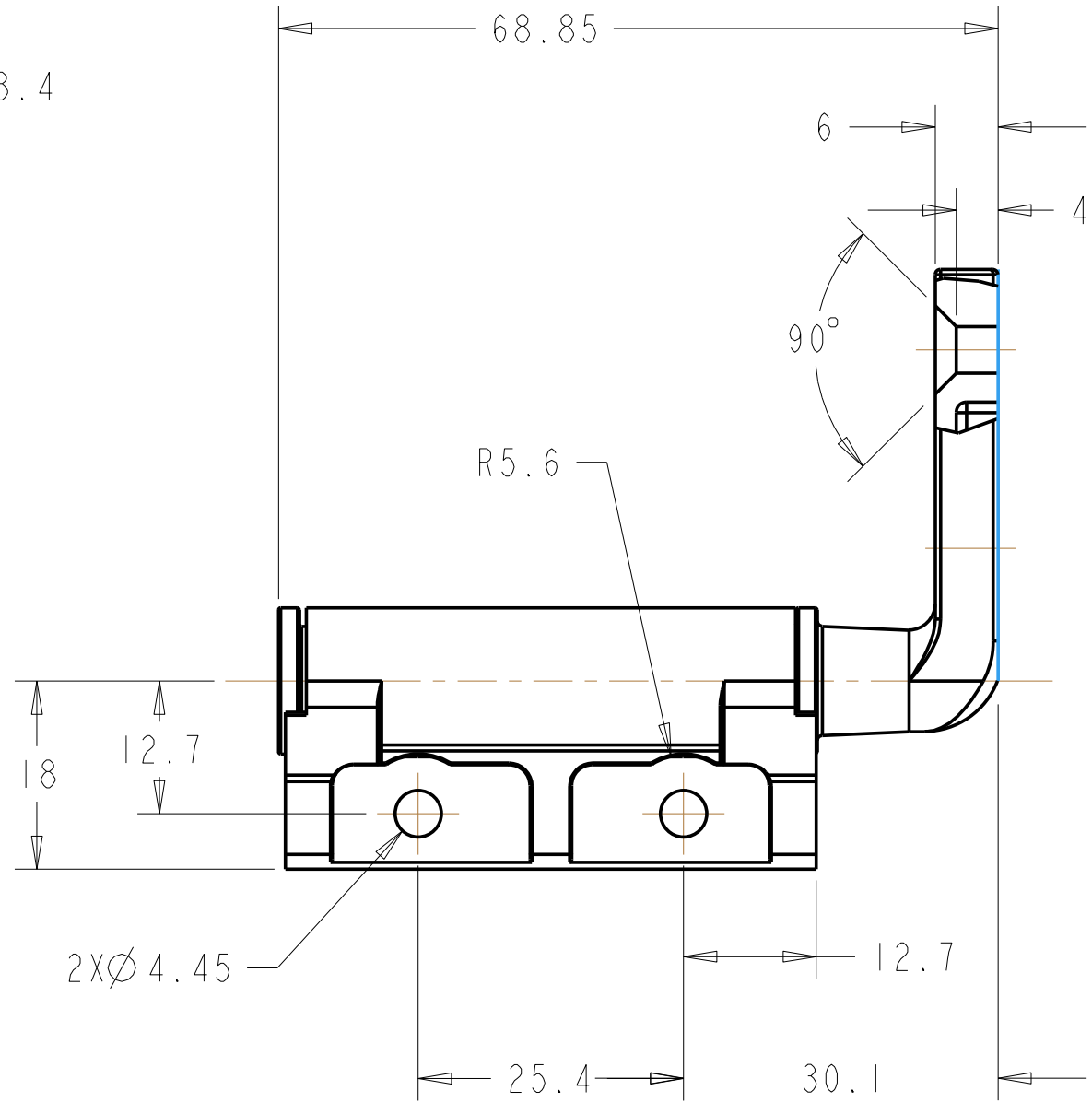
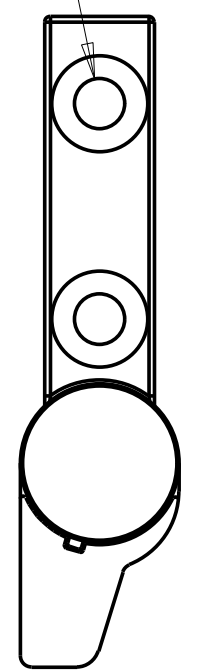


TYPE G
(SHOWN DIMENSIONED)

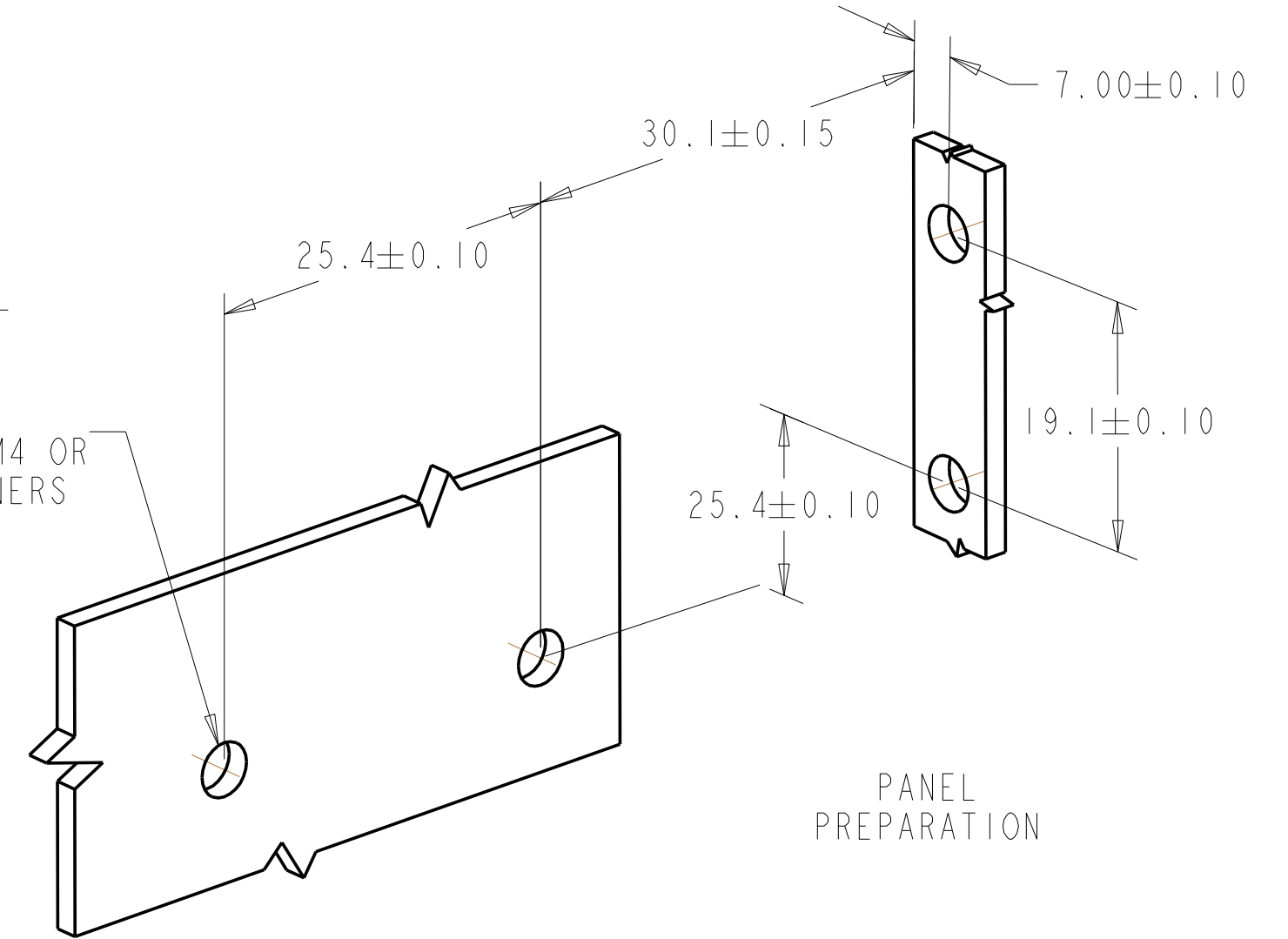
TORQUE
(HOUSING STATIONARY)
FORWARD REVERSE



2X \varnothing 4.45
90° \varnothing 8.4



4X M4 OR
#8 FASTENERS



PANEL
PREPARATION

- NOTES:
- MATERIAL AND FINISH"
HOUSING, ADAPTER AND END CAP - ZINC ALLOY
SHAFT AND TORQUE ELEMENTS - HARDENED STEEL
 - INSTALL USING M4 SCREWS
 - FOR PROPER FUNCTION, ASSEMBLY MUST INCLUDE
(1) TYPE "E" HINGE and (1) TYPE "G" HINGE
 - DIMENSIONS INDICATE AS-BUILT CONDITION. ADAPTER TO
ADAPTER SPACING WILL SELF ADJUST DURING OPERATION.

PART NUMBER		STATIC TORQUE	
TYPE E	TYPE G	FORWARD N*m (in-lbf)	REVERSE N*m (in-lbf)
ST-10E-120SE-XX	ST-10E-120SG-XX	1.35 (12)	1.35 (12)
ST-10E-200SE-XX	ST-10E-200SG-XX	2.26 (20)	2.26 (20)
ST-10E-280SE-XX	ST-10E-280SG-XX	3.16 (28)	3.16 (28)
ST-10E-360SE-XX	ST-10E-360SG-XX	4.06 (36)	4.06 (36)
ST-10E-200FE-XX	ST-10E-200FG-XX	2.26 (20)	2.26 (12)
ST-10E-280FE-XX	ST-10E-280FG-XX	3.16 (28)	2.26 (16.8)
ST-10E-360FE-XX	ST-10E-360FG-XX	4.06 (36)	2.44 (21.6)
ST-10E-440FE-XX	ST-10E-440FG-XX	4.97 (44)	2.93 (26)
ST-10E-200RE-XX	ST-10E-200RG-XX	1.35 (12)	2.26 (20)
ST-10E-280RE-XX	ST-10E-280RG-XX	2.26 (16.8)	3.16 (28)
ST-10E-360RE-XX	ST-10E-360RG-XX	2.44 (21.6)	4.06 (36)
ST-10E-440RE-XX	ST-10E-440RG-XX	2.93 (26)	4.97 (44)

TORQUE TOLERANCE ±20%

PART NUMBER	DESCRIPTION	FINISH
ST-10E-XXXX-33	ASSEMBLY - "AS CAST"	NATURAL
ST-10E-XXXX-50	ASSEMBLY - "COATED"	BLACK

MILLIMETERS
ALL DIMENSIONS
WITHOUT
TOLERANCES
ARE FOR
REFERENCE
ONLY

southco

DESIGNER
GEA
28FEB08

DRAFTER

MODEL NAME
ST-10E-TYPE

SCALE
G_ASM

3.2 ALL SURFACES
EXCEPT AS NOTED

TITLE ST-10E-1E HINGE ASSEMBLY	
DWG No J-ST-10E-E	REVISION E
SOUTHCO PART NUMBER AS NOTED	
CALC. WEIGHT	FORMAT C