

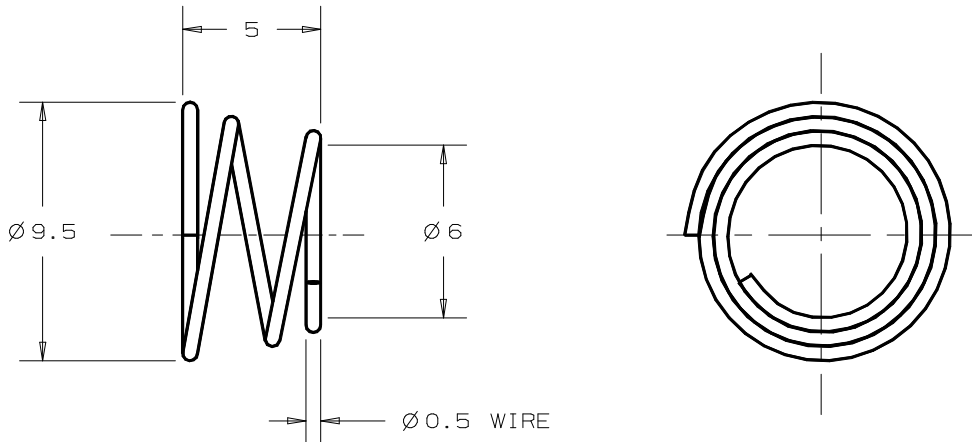


# CONICAL SPRING

CONCORDVILLE, PA

DATE	DRAWN	CHKD	SCALE	DRAWING NUMBER
09AUG93	MPF	JSS	4X	J-43-13-1

REV.	DATE	BY-CHKD	REVISIONS	PART NO.	MATERIAL	FINISH			
				43-13-1-24	302 STNLS STL	PASSIVATED			



FORMAT 3/88

PROPRIETARY ITEM - EXCEPT FOR USES EXPRESSLY GRANTED IN WRITING INFORMATION DISCLOSED HEREON IS CONFIDENTIAL AND ALL RIGHTS PATENT AND OTHERWISE ARE RESERVED BY SOUTHCO, INC.

ALL DIMENSIONS ARE IN MILLIMETERS.  
ALL DIMENSIONS WITHOUT TOLERANCES ARE REFERENCE.  
THIRD ANGLE PROJECTION DRAWING.

DRAWING NUMBER
J-43-13-1