



SEALING COVER FOR SLAM-ACTION KEYLATCH, 200 SERIES

DATE	DRAWN	CHKD	SCALE	DRAWING NUMBER
9-24-90	pek		FULL	J-90-2

CONCORDVILLE, PA

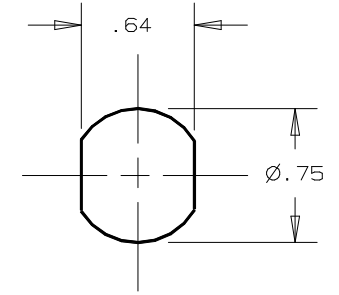
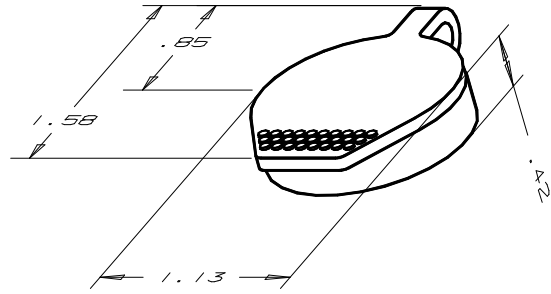
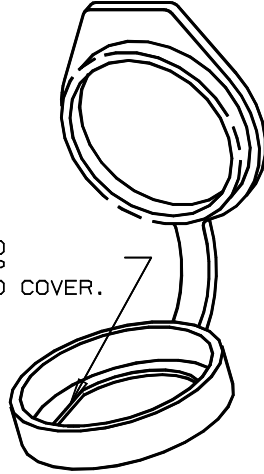
A 06DEC2012 CMS/MSR PRN:P2012-1719

PART NUMBER: 90-2  
MATERIAL: THERMOPLASTIC ELASTOMER, BLACK

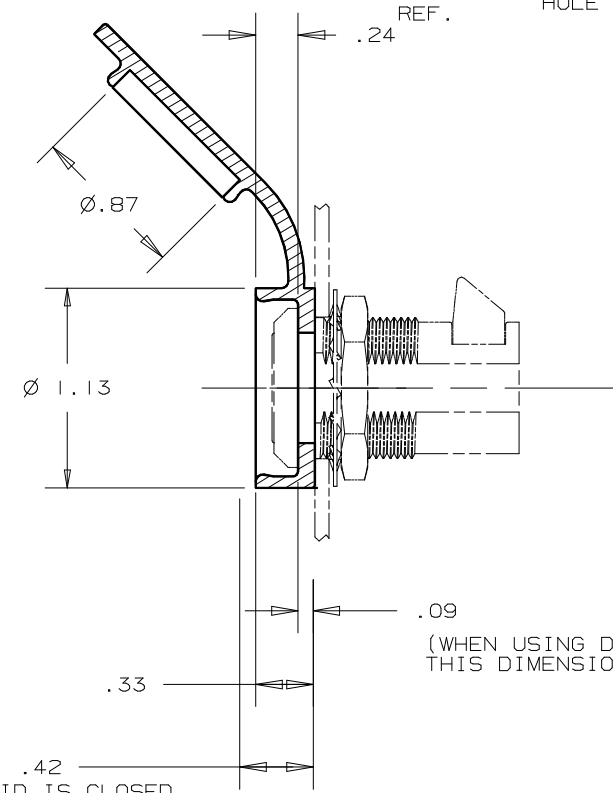
PART NUMBER: 90-2-W  
MATERIAL: THERMOPLASTIC ELASTOMER, APPLIANCE WHITE

SEALING COVER MAY BE USED WITH 93-10-201-10

FLATS OF THRU HOLE PARALLEL TO CONNECTING STRIP BETWEEN BASE AND COVER.



HOLE IN COVER



WHEN LID IS CLOSED

(WHEN USING DUST COVER, ADD THIS DIMENSION TO YOUR GRIP)

FORMAT A 3/88

PROPRIETARY ITEM - EXCEPT FOR USES EXPRESSLY GRANTED IN WRITING, INFORMATION DISCLOSED HEREON IS CONFIDENTIAL AND ALL RIGHTS PATENT AND OTHERWISE ARE RESERVED BY SOUTHCO, INC.

DRAWING NUMBER  
J-90-2