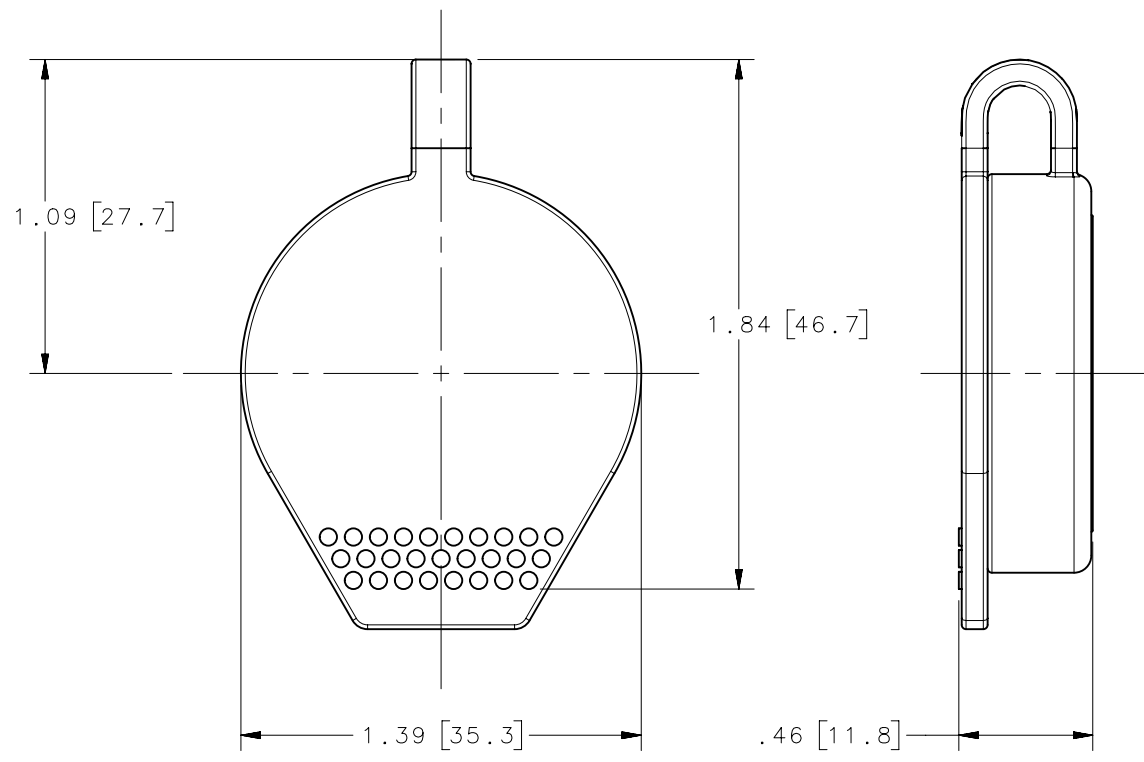
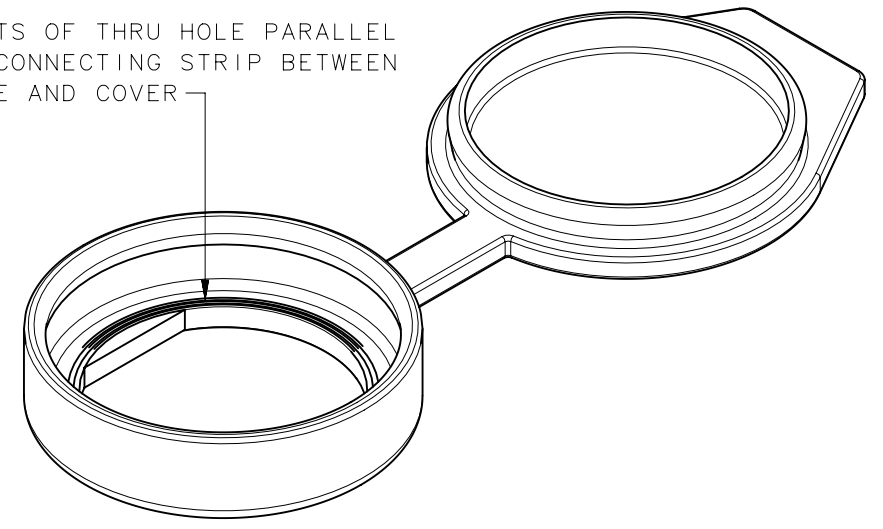


REVISION HISTORY			
REV	DATE	BY	DESCRIPTION
C	13AUG2014	BGL/MGG	PRN: P2014-1563

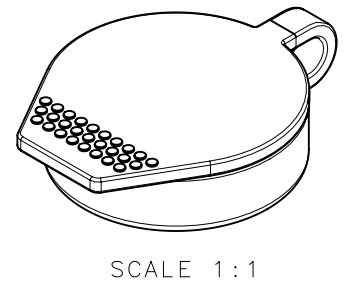
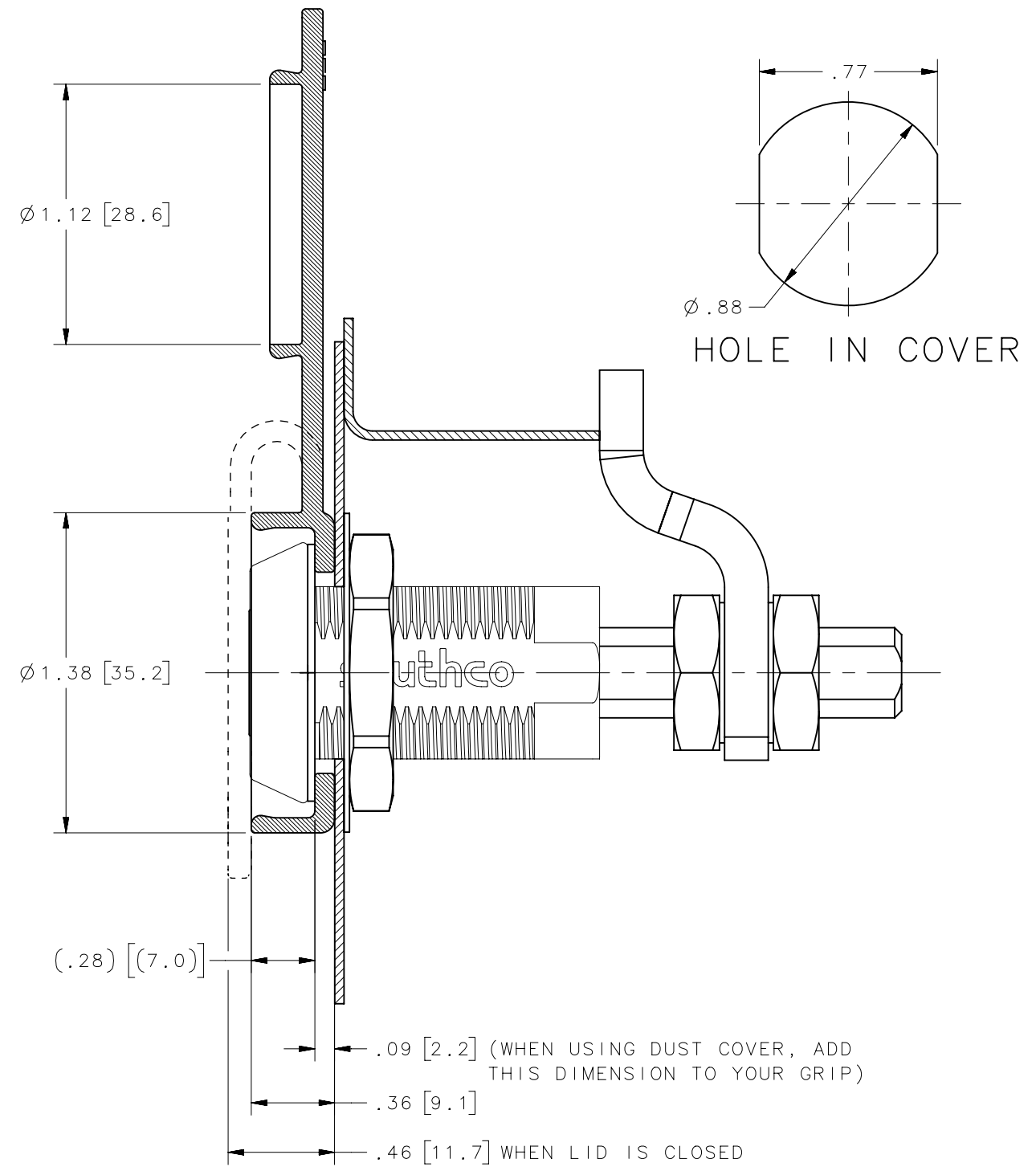


FLATS OF THRU HOLE PARALLEL TO CONNECTING STRIP BETWEEN BASE AND COVER



SEALING COVER MAY BE USED WITH THE FOLLOWING:

- |              |              |              |              |          |
|--------------|--------------|--------------|--------------|----------|
| E3-12-15     | E3-13-15     | E3-14-15     | E3-15-15     | E3-16-15 |
| E3-12-17     | E3-13-17     | E3-14-17     | E3-15-17     | E3-16-17 |
| E3-12-25     | E3-13-25     | E3-14-25     | E3-15-25     | E3-16-25 |
| E3-12-27     | E3-13-27     | E3-14-27     | E3-15-27     | E3-16-27 |
| E3-12-35     | E3-13-35     | E3-14-35     | E3-15-35     | E3-16-35 |
| E3-12-37     | E3-13-37     | E3-14-37     | E3-15-37     | E3-16-37 |
| E3-10-214-50 | E3-10-216-50 | E3-56-715-50 | E3-G-1       |          |
| E3-10-214-75 | E3-10-216-75 | E3-54-715-75 | E3-G-2       |          |
| E3-10-215-50 | E3-54-715-50 | E3-55-715-75 | E3-1-XXX-XXX |          |
| E3-10-215-75 | E3-55-715-50 | E3-56-715-75 | E3-2-XXX-XXX |          |



90-3		THERMOPLASTIC ELASTOMER		BLACK	
SOUTHCO PART NUMBER		MATERIAL		FINISH	
THIRD ANGLE PROJECTION				 CONNECT • CREATE • INNOVATE	
INCHES [MM]					
TOLERANCES UNLESS OTHERWISE NOTED		DESCRIPTION			
ALL DIMENSIONS WITHOUT TOLERANCES ARE FOR REFERENCE ONLY.		No. 90 SEALING COVER FOR VISE-ACTION LATCH, SINGLE HOLE MOUNT			
PROPRIETARY ITEM		SIZE	SYSTEM	DWG NO.	
EXCEPT FOR USES EXPRESSLY GRANTED IN WRITING, INFORMATION DISCLOSED HEREON IS CONFIDENTIAL AND ALL RIGHTS, PATENT AND OTHERWISE, ARE RESERVED BY SOUTHCO, INC.		B	NX	J-90-3	
PER ASME Y14.5M-1994		DRAWN BY		DATE	SCALE
		PEK		24SEPT1990	NTS
				SHEET 1 OF 1	