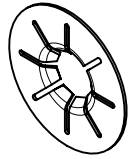
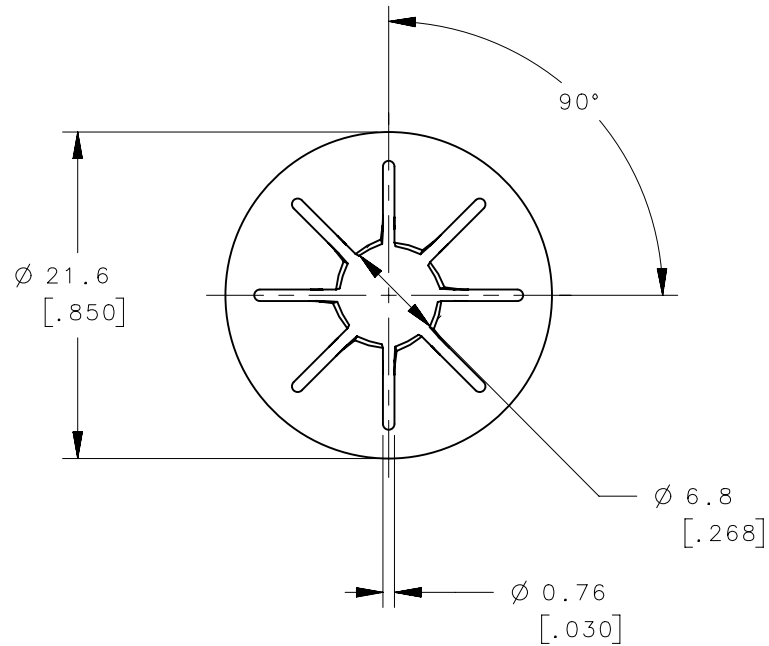
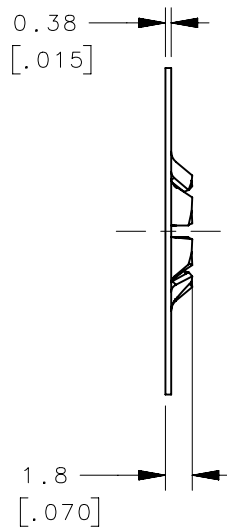


REVISION HISTORY			
REV	DATE	BY	DESCRIPTION
C	07OCT2013	DMS/YGC	PRN: P2013-1981



SCALE 1:1



17-6-1		RETAINER		STAINLESS STEEL		PASSIVATED	
PART NUMBER		TYPE OF COMPONENT		MATERIAL		FINISH	
		THIRD ANGLE PROJECTION		 CONNECT • CREATE • INNOVATE			
		MILLIMETERS [IN]					
SURFACE AREA		TOLERANCES UNLESS OTHERWISE NOTED		DESCRIPTION			
VOLUME		ALL DIMENSIONS WITHOUT TOLERANCES ARE FOR REFERENCE ONLY.		STAINLESS STEEL PUSH-ON RETAINER FOR NO. 17 CAPTIVE SCREW			
PROPRIETARY ITEM		PER ASME Y14.5M-1994		SIZE	SYSTEM	DWG NO.	
EXCEPT FOR USES EXPRESSLY GRANTED IN WRITING, INFORMATION DISCLOSED HEREON IS CONFIDENTIAL AND ALL RIGHTS, PATENT AND OTHERWISE, ARE RESERVED BY SOUTHCO, INC.				A4	NX	J-17-6-1-A	
				DRAWN BY	DATE	SCALE	SHEET
				GG	16AUG1995	2:1	1 OF 1

PROPRIETARY ITEM - EXCEPT FOR USES EXPRESSLY GRANTED IN WRITING, INFORMATION DISCLOSED HEREON IS CONFIDENTIAL AND ALL RIGHTS, PATENT AND OTHERWISE, ARE RESERVED BY SOUTHCO, INC