

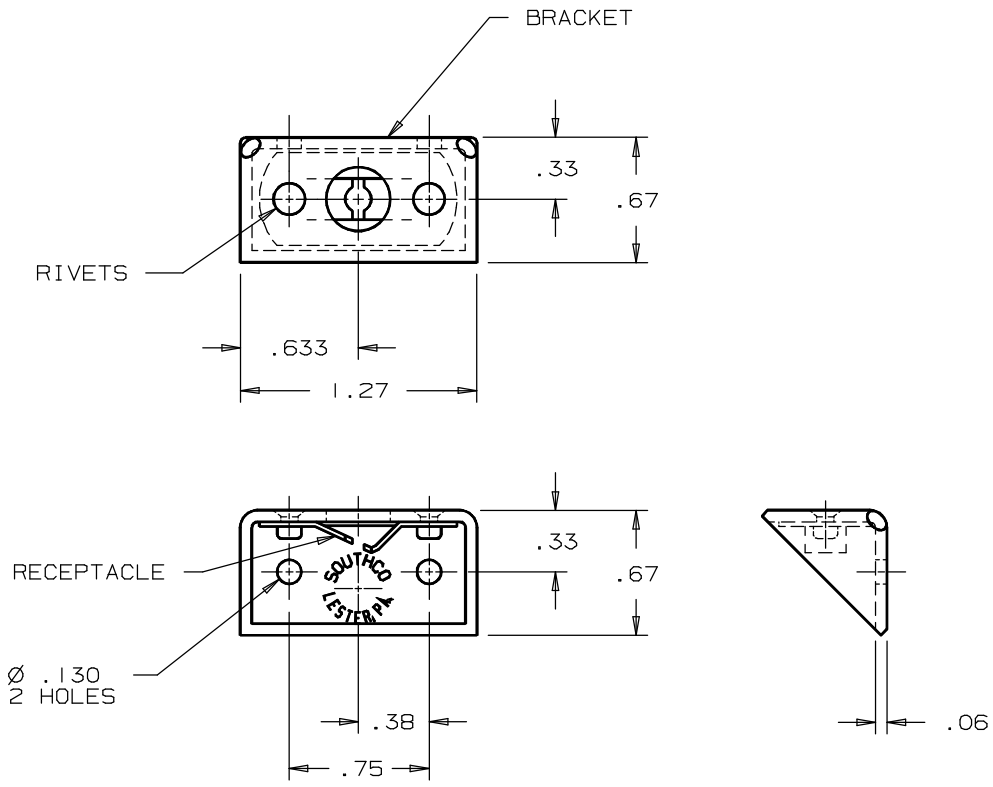


No. 12 SIDE MOUNT RECEPTACLE ASSEMBLY

DATE	DRAWN	CHKD	SCALE	DRAWING NUMBER
7-24-58	ESK	ASK	1 : 1	J-12-90-101-10

REV.	DATE	BY-CHKD	REVISIONS	ITEM	COMPONENT	PART No.	MATERIAL	FINISH
G	1-30-81	KLH	DELETED PREVIOUS REV. -SEE RECORD PRINT PRN: 12-52 SAME DWG. No.	ASSEMBLY		12-90-101-10		
H	12APR93	ALC	PRN: S-1-03		BRACKET		1010 STEEL	NOTE "A"
I	13SEP93	MPF	PRN: S-99-1-N-1		RECEPTACLE		1064 STEEL	DACROTIZED™
J	08NOV96	JGK	PRN: S-1-06A		RIVET		ALUMINUM	NATURAL

NOTE "A" - ZINC PLATE, CHROMATE PLUS SEALER.



TM-METAL COATINGS INTERNATIONAL, INC.

PROPRIETARY ITEM - EXCEPT FOR USES EXPRESSLY GRANTED IN WRITING
 INFORMATION DISCLOSED HEREON IS CONFIDENTIAL AND ALL RIGHTS PATENT
 AND OTHERWISE ARE RESERVED BY SOUTHCO, INC.

ALL DIMENSIONS ARE IN INCHES.
 ALL DIMENSIONS WITHOUT TOLERANCES ARE REFERENCE.
 THIRD ANGLE PROJECTION DRAWING.

DRAWING NUMBER
J-12-90-101-10