

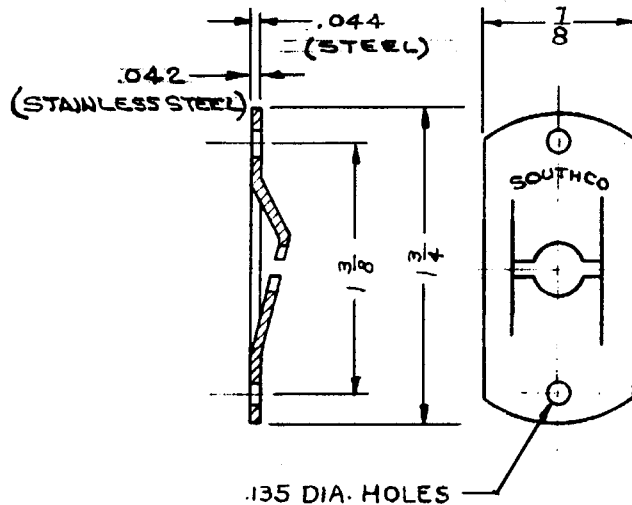


N917 FASTENER -
RIVET TYPE RECEPTACLE

DATE	DRAWN	CHKD	SCALE	DRAWING NUMBER
2-8-60	T.P.S.	D.S.T.	N.T.S.	J-17-2-15

REV. LET.	DATE	BY-CHKD	REVISIONS	PART NO	RS	DATE	APP
G	5-10-62	BC-MKT	DWG. NO WAS J-17-2	17-10015- [*]	A		
H	11-7-78	JGK	PRN-17-22		B		
I	2-22-82	JGK	PRN 5-1-01		C	5-15-62	JAV
J	1-10-85	GCL	PRN # 17-51		D		
K	8-13-85	SS	PRN: 17-59				
L	12-17-86	JGK	PRN 17-56A				
M	8-26-89	ESH	FINISH WAS CHANGED FROM IRONCOAT ALUM FINISH OR DACTOTIZED TM TO 13 FINISH WAS CHANGED TO 14				
N	7-3-91	JMB	PRN: 17-121				
O	16 MAR 93	JGK	PRN: 17-130 (MATL. THK. WAS .045				
P	5-Mar-93	JGK	PRN: 17-102				

METAL COATINGS INTERNATIONAL, INC.



[*] MATERIAL - FINISH
13 - STEEL - DACTOTIZEDTM

14 - STAINLESS STEEL - TYPE 304 - PASSIVATED
58 - STAINLESS STEEL - TYPE 304 - BLACK ORGANIC COATING

PROPRIETARY ITEM - EXCEPT FOR USES EXPRESSLY GRANTED IN WRITING, INFORMATION DISCLOSED HEREON IS CONFIDENTIAL AND ALL RIGHTS, PATENT AND OTHERWISE, ARE RESERVED BY SOUTHCO, INC.

TOLERANCE UNLESS OTHERWISE NOTED
DECIMALS ± FRACTIONS ± ANGLES ±

DRAWING NUMBER
J-17-2-15