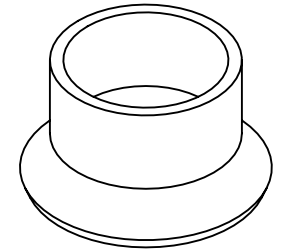
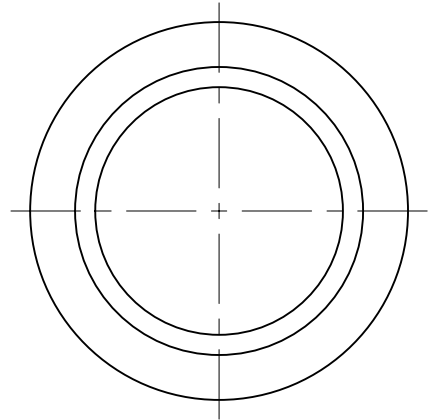
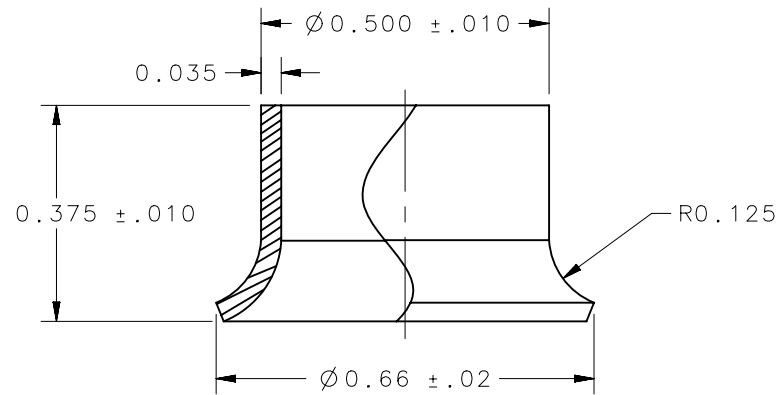


REVISION HISTORY			
REV	DATE	BY	DESCRIPTION
A	10JAN2018	NBK/VK	PRN: P2018-0085



SCALE 2:1



1271-65375RN	D4-GA65-375RNNA	COPPER NICKEL	NATURAL
DFCI PART NUMBER	SOUTHCO PART NUMBER	MATERIAL	FINISH
CAGE CODE	THIRD ANGLE PROJECTION	 CONNECT • CREATE • INNOVATE	
	INCHES [MM]		
	TOLERANCES UNLESS OTHERWISE NOTED	DESCRIPTION	
	ALL DIMENSIONS WITHOUT TOLERANCES ARE FOR REFERENCE ONLY.	SIZE 65 GROMMET	
PROPRIETARY ITEM		SIZE A	SYSTEM NX
EXCEPT FOR USES EXPRESSLY GRANTED IN WRITING, INFORMATION DISCLOSED HEREON IS CONFIDENTIAL AND ALL RIGHTS, PATENT AND OTHERWISE, ARE RESERVED BY SOUTHCO, INC.	PER ASME Y14.5M-1994	DWG NO.	J-D4-GA65-375RNNA
		DRAWN BY NBK/VK	DATE 10JAN2018
		SCALE 3:1	SHEET 1 OF 1