



# R4 Rotary Latch

Micro · Concealed · Single and two stage

- Ideal for space limited applications
- Compatible with wide array of actuators
- Integrated bumper for anti-vibration feature

### Material and Finish

Steel, zinc plated or 304 stainless steel, passivated

### Performance Details

Average ultimate load: 2600 N (590 lbf)

### Installation Notes

See page 259

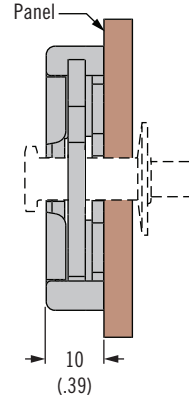
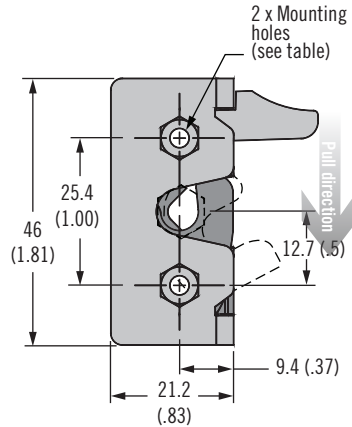
### Accessories

Cables and retainer clips see pages 272-275

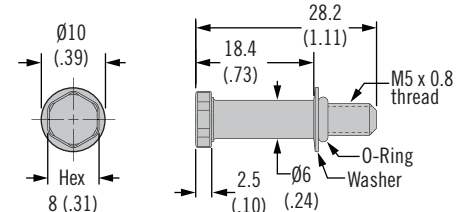
### Notes

Electromechanical rotary latch available see page 23

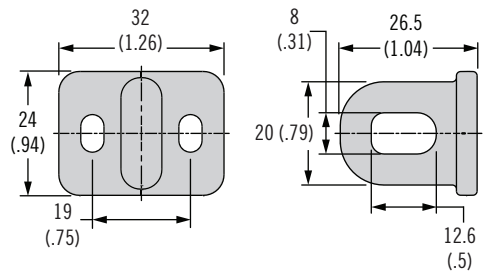
## Single Stage - Hand Actuation, Integrated Bumper



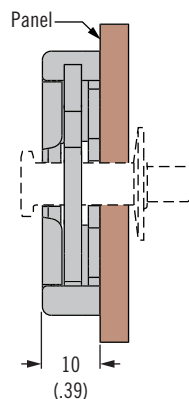
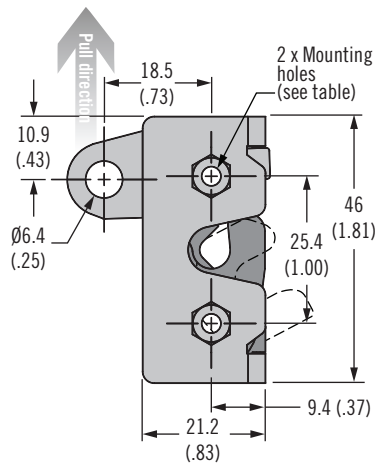
Part Number	
Striker bolt	R4-90-0521-10



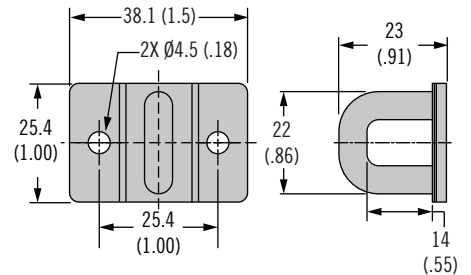
Part Number	
Molded striker	R4-0-61336



## Two Stage - Bottom, Integrated Bumper



Part Number	
Wire form striker	R4-0-61352



## Part Number Selection

- S Stage & Actuation**
- 2 Single stage
  - 4 Two stage

- L Lever Type**
- 4 Hand Actuation
  - 5 Bottom

R4 - 05 - S I - L 05 - M

- I Mounting Style**
- 0 4.5 (.177) thru
  - 1 8-32 thread
  - 2 M4 x 0.7 thread

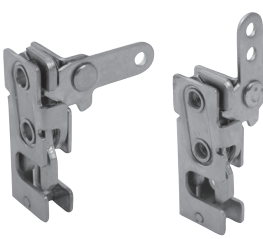
- M Material**
- 10 Steel
  - 20 Stainless Steel

Other options available. For complete details on variety, part numbers, installation and specification, go to



[www.southco.com/R4](http://www.southco.com/R4)

Dimensions in millimeters (inch) unless otherwise stated



# R4 Rotary Latch

Mini · Concealed · Single and two stage

- Single or multi-point latch capability
- Compatible with wide array of actuators
- EN 45545-3 E60 Compliant (Standard version only)
- Integrated bumper version for anti-vibration feature

### Material and Finish

Steel, zinc plated or 304 stainless steel, passivated

### Performance Details

Average ultimate load: 3600 N (800 lbf)

### Installation Notes

See page 259

### Accessories

Striker bolts for standard version and integrated bumper version are different. See page 259 for both versions.

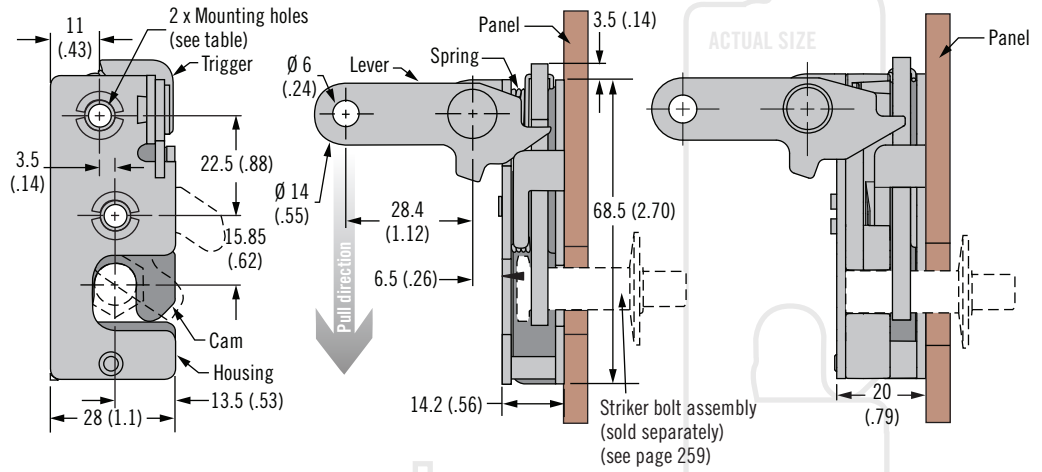
Cables and retainer clips see pages 272-275

### Notes

Electromechanical rotary latch available see page 23

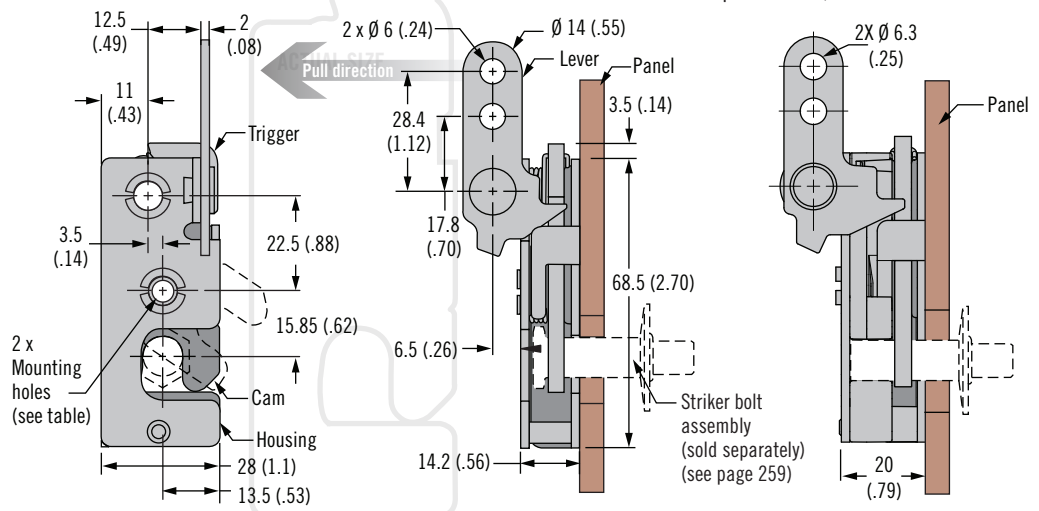
### Part Number Selection

#### Single Stage - Perpendicular (left hand actuation shown)



#### Integrated Bumper Version (dimensions same as standard version except as shown)

#### Single Stage - In-Line (left hand actuation shown)



#### Integrated Bumper Version (dimensions same as standard version except as shown)

#### S Stage & Actuation

- 1 Single stage, right hand
- 2 Single stage, left hand
- 3 Two stage, right hand
- 4 Two stage, left hand

#### L Lever Type

- 1 Perpendicular
- 2 In-Line

**R4 - 10 - S I - L O B - M**

#### I Mounting Style

- 0  $\varnothing 7.2$  (.283) thru
- 1 1/4-20 thread
- 2 M6 x 1 thread

#### B Base Style

- 1 Standard
- 5 Integrated bumper version

#### M Material

- 10 Steel
- 20 Stainless steel

Other options available. For complete details on variety, part numbers, installation and specification, go to

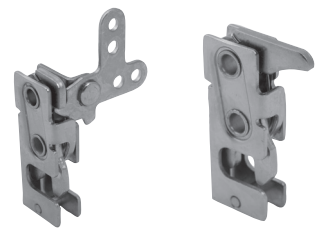


[www.southco.com/R4](http://www.southco.com/R4)

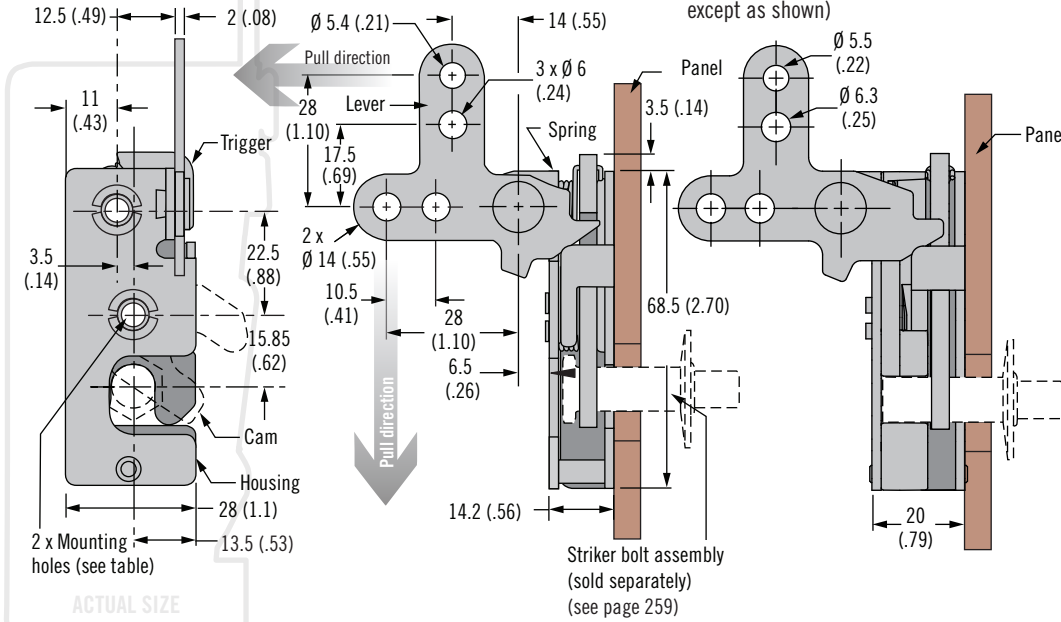
Dimensions in millimeters (inch) unless otherwise stated

# R4 Rotary Latch

## Mini · Concealed · Single and two stage

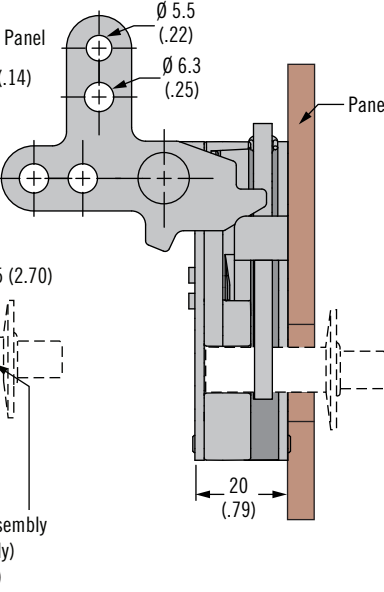


### Single Stage - Two Point (left hand actuation shown)



### Integrated Bumper Version

(dimensions same as standard version except as shown)



- Single or multi-point latch capability
- Compatible with wide array of actuators
- EN 45545-3 E60 Compliant (Standard version only)
- Integrated bumper version for anti-vibration feature

### Material and Finish

Steel, zinc plated or 304 stainless steel, passivated

### Performance Details

Average ultimate load: 3600 N (800 lbf)

### Installation Notes

See page 259

### Accessories

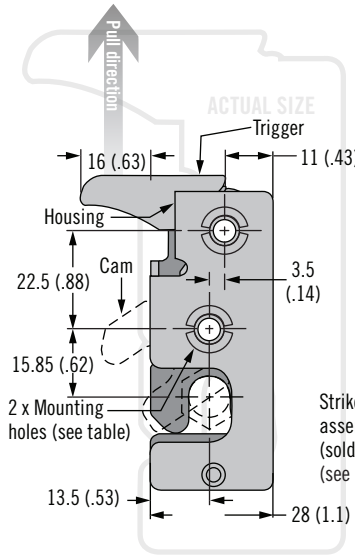
Striker bolts for standard version and integrated bumper version are different. See page 259 for both versions.

Cables and retainer clips see page 272-275

### Notes

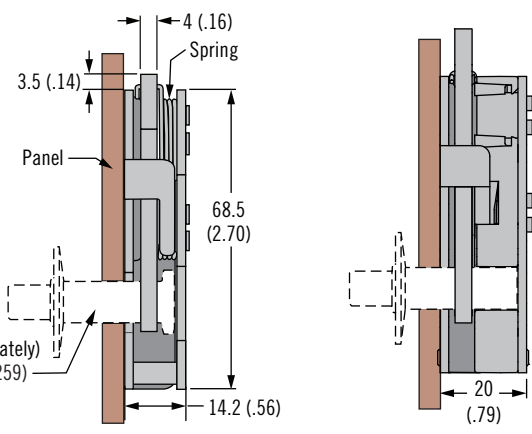
Electromechanical rotary latch available see page 23

### Single Stage - Hand Actuation

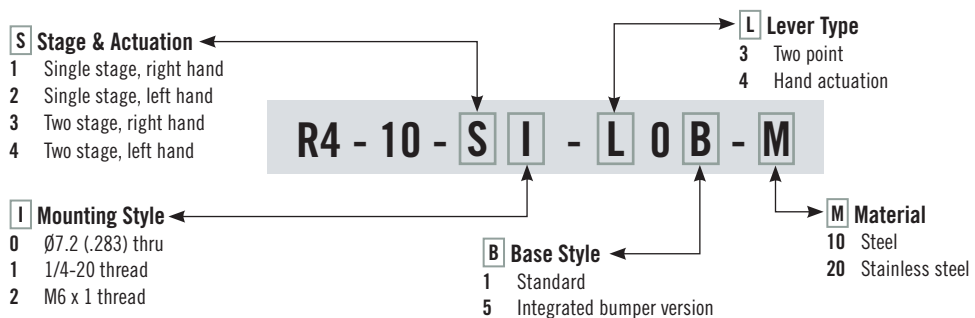


### Integrated Bumper Version

(dimensions same as standard version except as shown)



### Part Number Selection



Dimensions in millimeters (inch) unless otherwise stated

Other options available. For complete details on variety, part numbers, installation and specification, go to



[www.southco.com/R4](http://www.southco.com/R4)



# R4 Rotary Latch

Mini · Concealed · Single and two stage

- Single or multi-point latch capability
- Compatible with wide array of actuators
- EN 45545-3 E60 Compliant (Standard version only)
- Integrated bumper version for anti-vibration feature

### Material and Finish

Steel, zinc plated or 304 stainless steel, passivated

### Performance Details

Average ultimate load: 3600 N (800 lbf)

### Installation Notes

See page 259

### Accessories

Striker bolts for standard version and integrated bumper version are different. See page 259 for both versions.

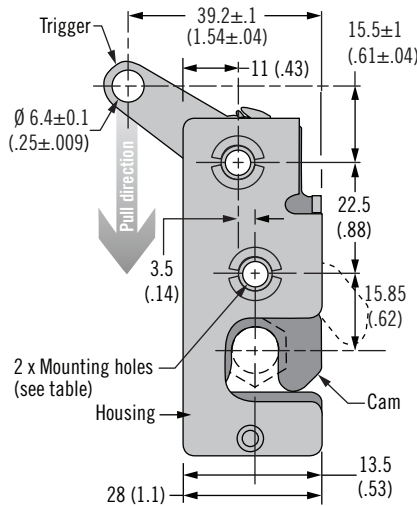
Cables and retainer clips see pages 272-275

### Notes

Electromechanical rotary latch available see page 23

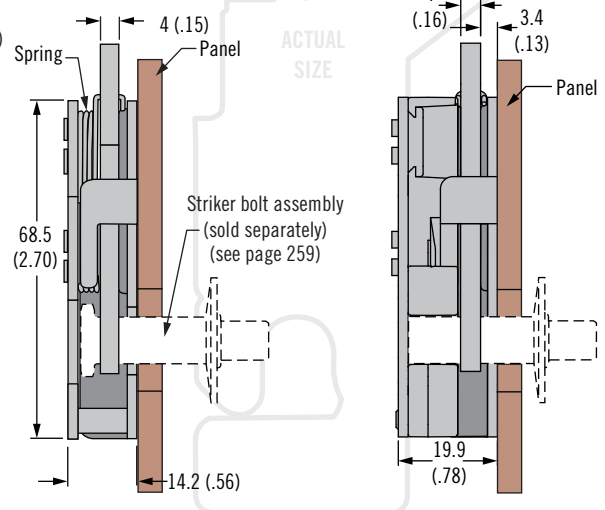
### Single Stage - Bottom

(left hand actuation shown)



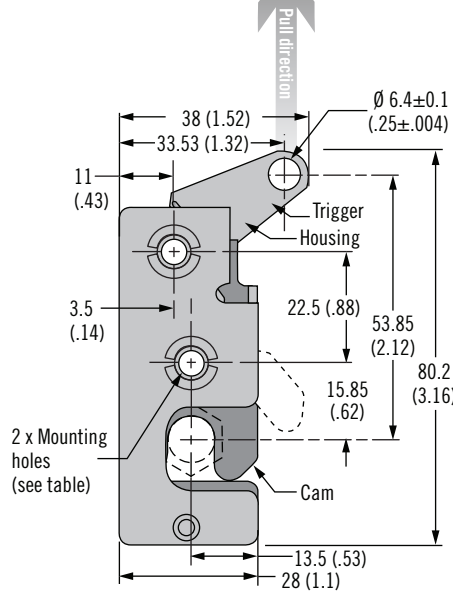
### Integrated Bumper Version

(dimensions same as standard version except as shown)



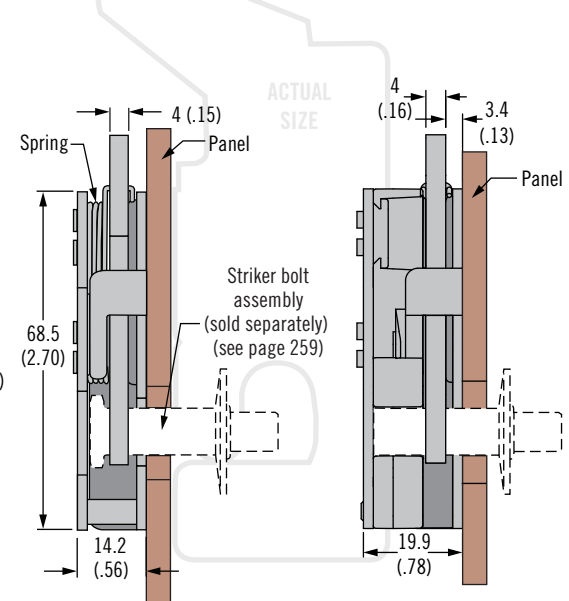
### Single Stage - Top

(left hand actuation shown)



### Integrated Bumper Version

(dimensions same as standard version except as shown)



### Part Number Selection

**S** Stage & Actuation

- 1 Single stage, right hand
- 2 Single stage, left hand
- 3 Two stage, right hand
- 4 Two stage, left hand

**L** Lever Type

- 5 Bottom
- 6 Top

**I** Mounting Style

- 0  $\varnothing 7.2$  (.283) thru
- 1 1/4-20 thread
- 2 M6 x 1 thread

**B** Base Style

- 1 Standard
- 5 Integrated bumper version

**M** Material

- 10 Steel
- 20 Stainless steel

**R4 - 10 - S I - L O B - M**

Other options available. For complete details on variety, part numbers, installation and specification, go to



[www.southco.com/R4](http://www.southco.com/R4)

Dimensions in millimeters (inch) unless otherwise stated

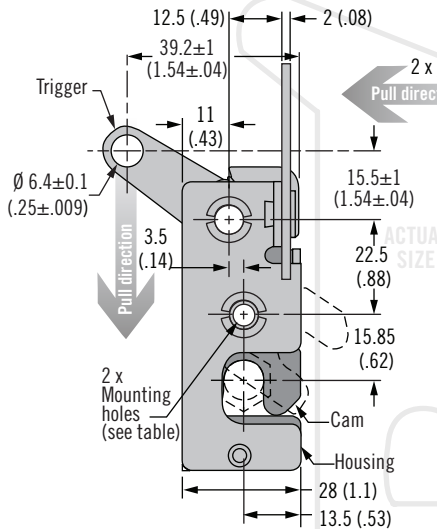
# R4 Rotary Latch

Mini · Concealed · Dual Trigger · Single and two stage

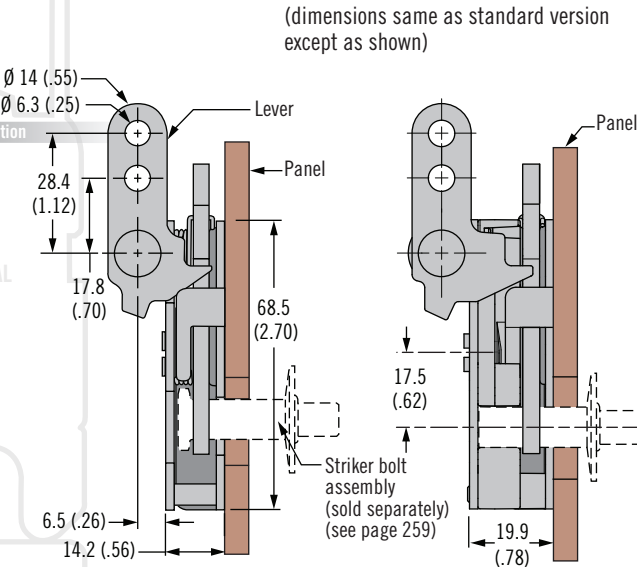


258A

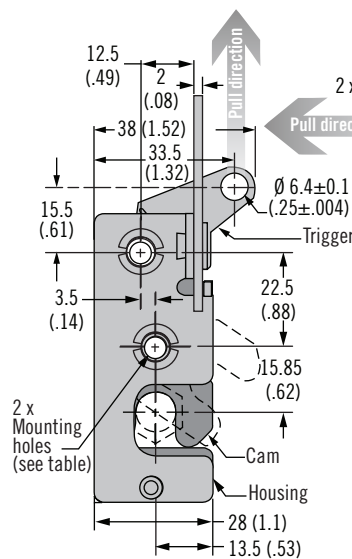
## Single Stage - Dual Trigger - Bottom (left hand actuation shown)



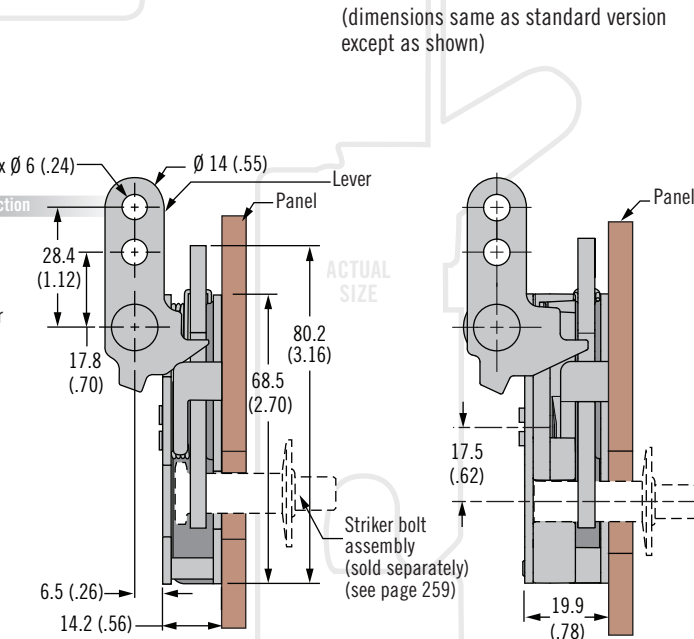
## Integrated Bumper Version (dimensions same as standard version except as shown)



## Single Stage - Dual Trigger - Top (left hand actuation shown)



## Integrated Bumper Version (dimensions same as standard version except as shown)



- Single or multi-point latch capability
- Compatible with wide array of actuators
- EN 45545-3 E60 Compliant (Standard version only)
- Integrated bumper version for anti-vibration feature

### Material and Finish

Steel, zinc plated

### Performance Details

Average ultimate load:  
3600 N (800 lbf)

### Installation Notes

See page 259

### Accessories

Striker bolts for standard version and integrated bumper version are different. See page 259 for both versions.

Cables and retainer clips  
see page 272-275

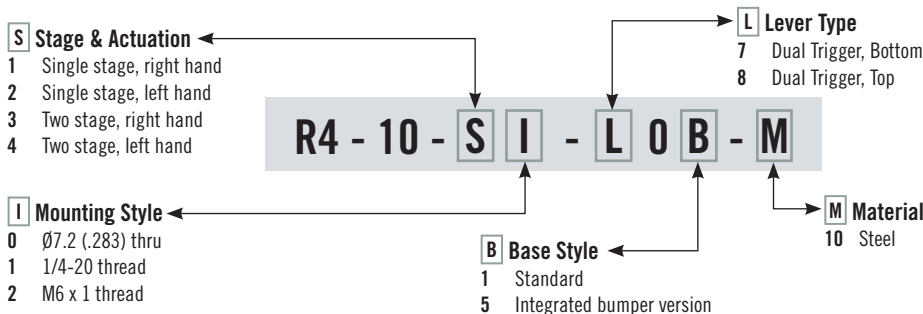
Trigger - use retaining clip  
R4-0-43922-2

Lever - use retaining clip  
R4-0-43922

### Notes

Electromechanical rotary latch  
available see page 23

### Part Number Selection





# R4 Rotary Latch

Mini · Concealed · Single and two stage

- Direct actuation, no cable or rod required
- Integrated bumper version for anti-vibration feature
- EN 45545-3 E60 Compliant (Standard version only)

### Material and Finish

Steel, zinc plated or 304 stainless steel, passivated

### Performance Details

Average ultimate load: 3600 N (800 lbf)

### Installation Notes

See page 259

### Accessories

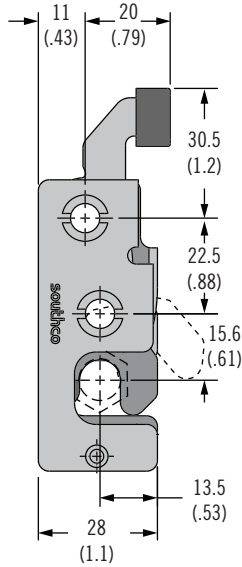
Striker bolts for standard version and integrated bumper version are different. See page 259 for both versions.

### Notes

Electromechanical rotary latch available see page 23

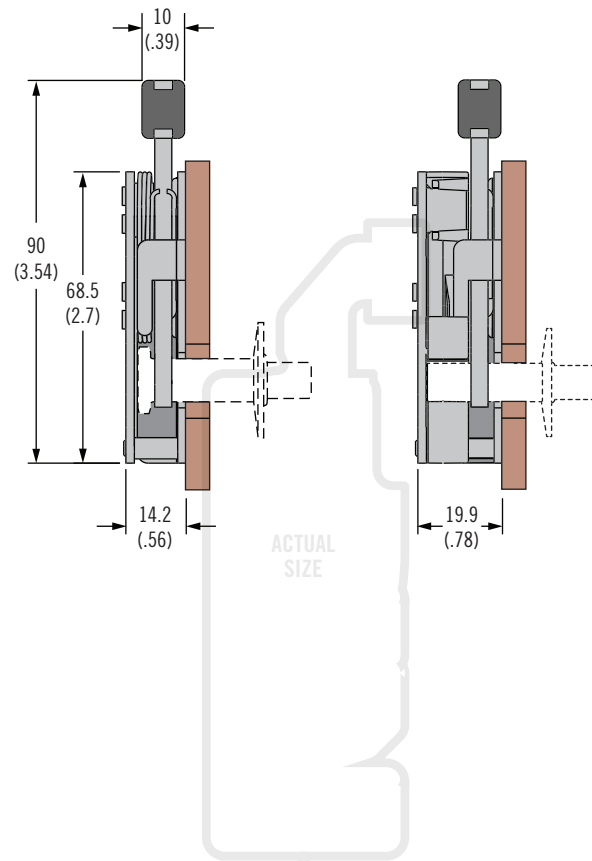
### Single Stage - Top

(left hand actuation shown)



### Integrated Bumper Version

(dimensions same as standard version except as shown)



### Part Number Selection

#### S Stage & Actuation

- 1 Single stage, right hand
- 2 Single stage, left hand
- 3 Two stage, right hand
- 4 Two stage, left hand

#### I Mounting Style

- 0  $\varnothing 7.2$  (.283) thru
- 1 1/4-20 thread
- 2 M6 x 1 thread

#### B Base Style

- 1 Standard
- 5 Integrated bumper version

#### M Material

- 10 Steel
- 20 Stainless steel

R4 - 10 - S I - 90 B - M



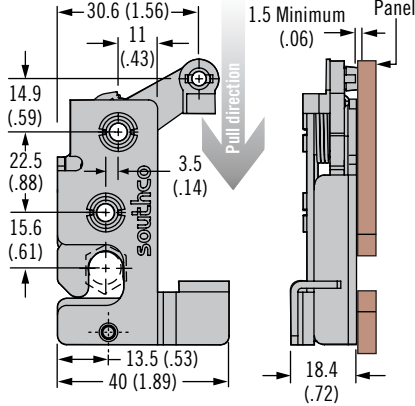
# R4 Rotary Latch

Integrated Cable Mounting Bracket · Stainless Steel  
Mini · Concealed · Single stage

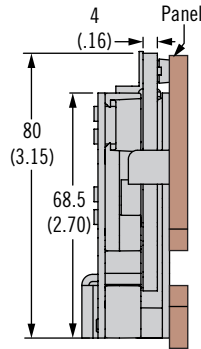


### Single Stage - Bottom

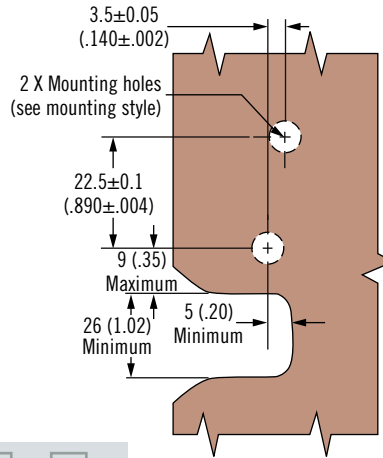
(Right hand actuation shown)



### Integrated Bumper Version



### Panel Preparation



**R4 - 10 - S I - 50 B - M**

#### S Stage & Actuation

- 1 Single stage, right hand
- 2 Single stage, left hand
- 3 Two stage, right hand
- 4 Two stage, left hand

#### I Mounting Style

- 0  $\varnothing 7.2$  (.283) thru
- 1 1/4-20 thread
- 2 M6 x 1 thread

#### B Base Style

- 2 Standard
- 6 Integrated bumper version

#### M Material

- 10 Steel
- 20 Stainless steel

### Material and Finish

Steel, zinc plated or stainless steel

### Performance Details

Average ultimate load:  
3600 N (800 lbf)

### Accessories

- Striker bolt
- Cables and retainer clips

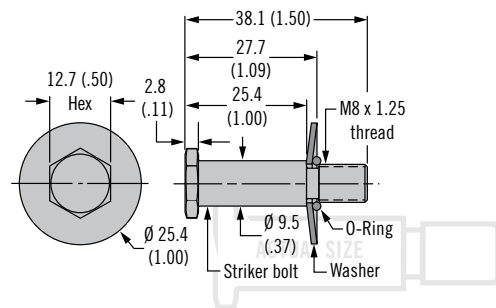
# R4 Rotary Latch

Striker bolt · Mini · Installation



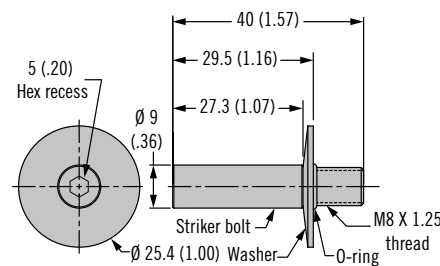
### Striker Bolt Assembly - Standard

(sold separately)



### Striker Bolt Assembly - Integrated Bumper

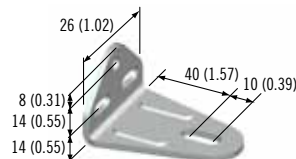
(sold separately)



### Striker 90° Mounting Bracket

Striker Mounting Bracket Part Number

R4-0-50114



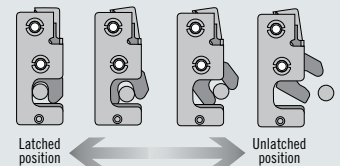
Striker Bolt Part Number - Standard	
Part Number	Material
R4-90-121-10	Steel
R4-90-121-20	Stainless Steel
Striker Bolt Part Number - Integrated Bumper Version	
R4-90-124-10	Steel
R4-90-124-20	Stainless Steel

- Striker bolt for R4-10 series rotary latch

### Material and Finish

Steel, zinc plated or stainless steel

### Operation



### Part Number

See table

Other options available. For complete details on variety, part numbers, installation and specification, go to

**INFO CLIC** [www.southco.com/R4](http://www.southco.com/R4)



# R4 Rotary Latch

Large · Concealed · Two stage

- Single or multi-point latch capability
- Compatible with wide array of actuators
- FMVSS 206 compliant
- EN 45545-3 E60 Compliant

### Material and Finish

Steel, zinc plated or stainless steel

### Performance Details

Average ultimate load:  
 10675 N (2400 lbf) as shown  
 14230 N (3200 lbf) with  
 support bracket. Contact Southco  
 for more information

### Installation Notes

See page 261

### Accessories

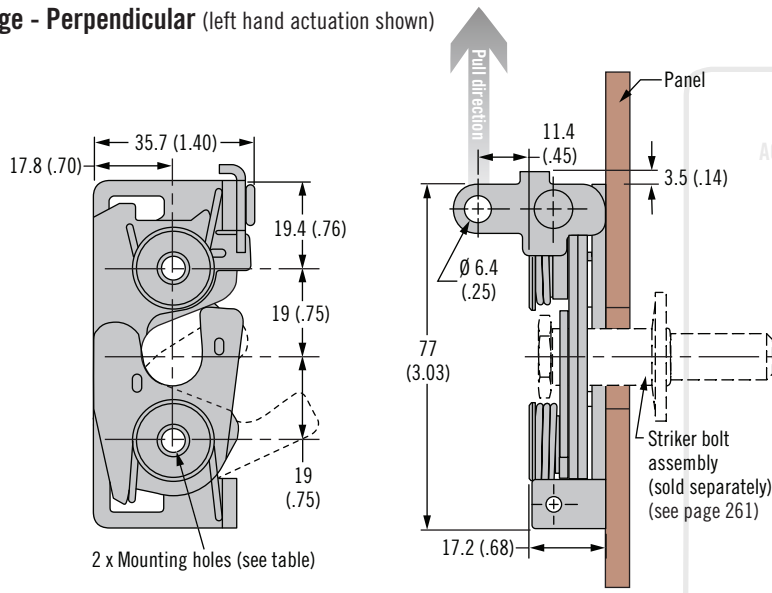
Striker bolt see page 261

Cables and retainer clips  
 see pages 272-275

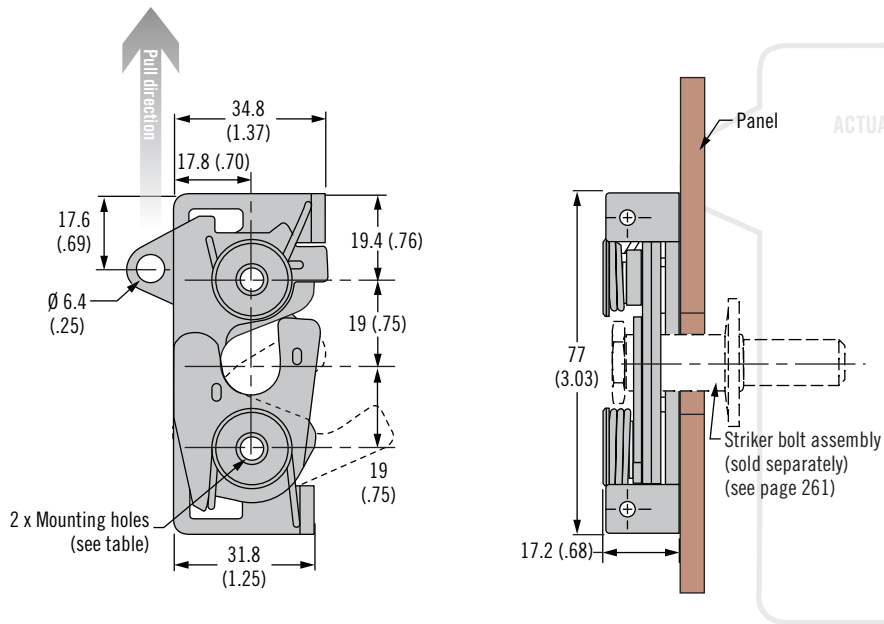
### Notes

Electromechanical rotary latch  
 available see page 23

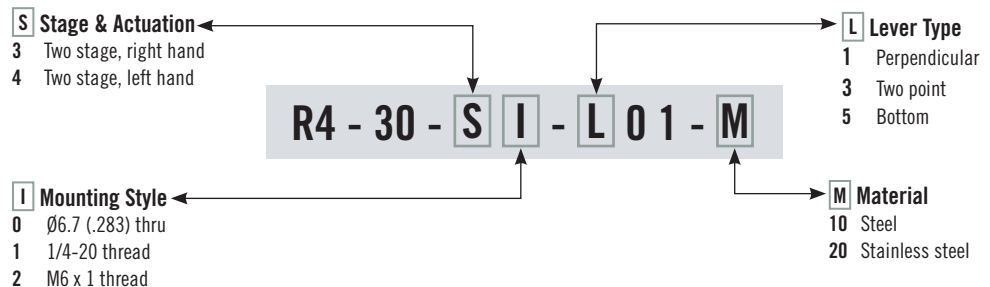
### Two Stage - Perpendicular (left hand actuation shown)



### Two Stage - Bottom (left hand actuation shown)



### Part Number Selection



Other options available. For complete details on variety, part numbers, installation and specification, go to



[www.southco.com/R4](http://www.southco.com/R4)

Dimensions in millimeters (inch) unless otherwise stated

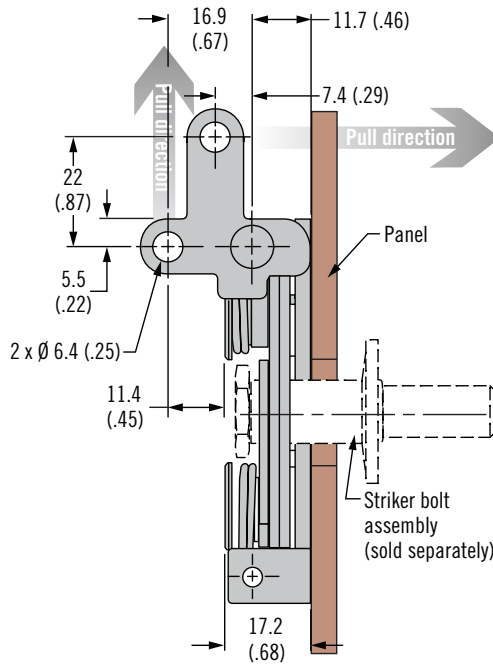
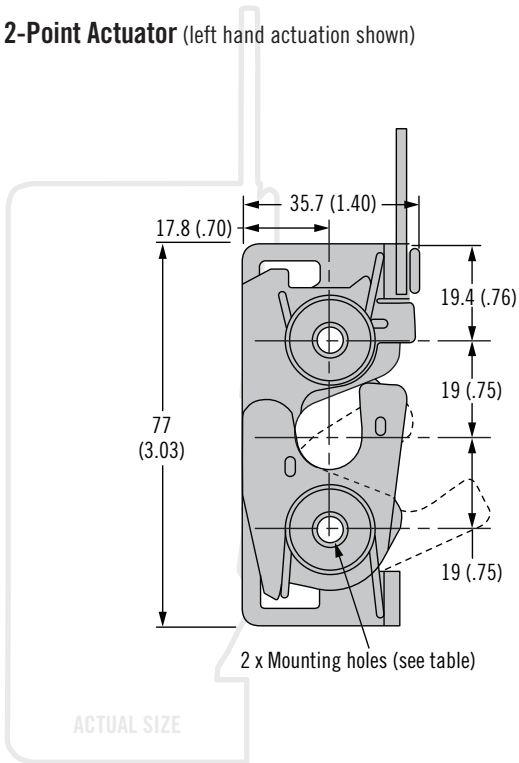


# R4 Rotary Latch

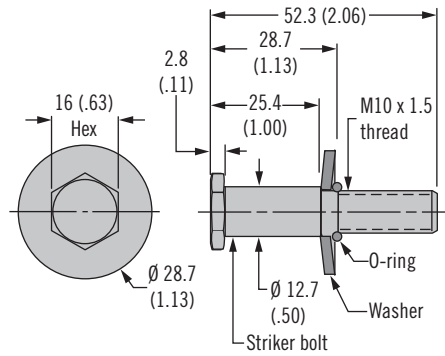
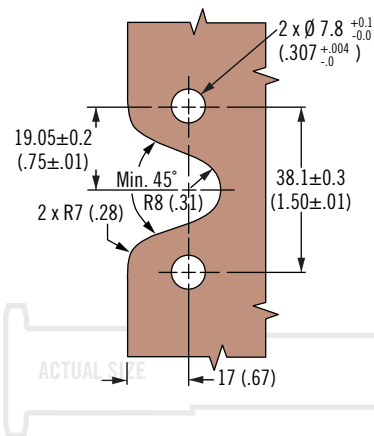
Large · Concealed · Two stage



## 2-Point Actuator (left hand actuation shown)



## Striker Bolt Assembly (sold separately)

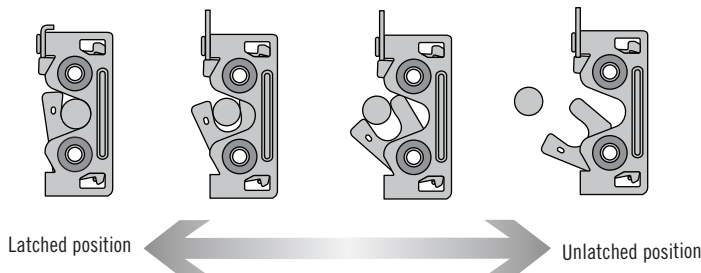


## Striker Bolt Assembly Part Number

See table

Striker Bolt Part Number	
Part Number	Material
R4-90-321-10	Steel
R4-90-321-20	Stainless Steel

## Operation





# R4 Rotary Latch

Medium · Concealed · Single and two stage

- Single or multi-point latch capability
- Compatible with wide array of actuators
- Hand actuation option
- EN 45545-3 E60 Compliant

### Material and Finish

Steel, zinc plated or 304 stainless steel, passivated

### Accessories

Cables and retainer clips see pages 272-275

### Notes

Electromechanical rotary latch available see page 23

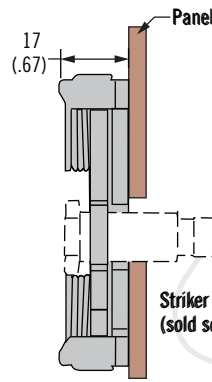
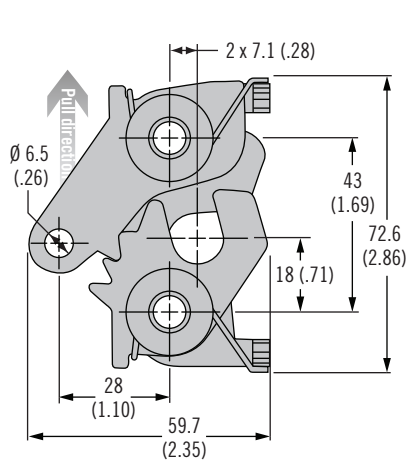
For panel preparation visit [www.southco.com/R4](http://www.southco.com/R4)

### Part Number

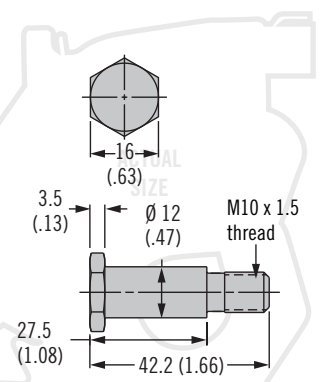
See table

Order latch and striker separately

### Remote Actuation (left hand, two stage version shown)

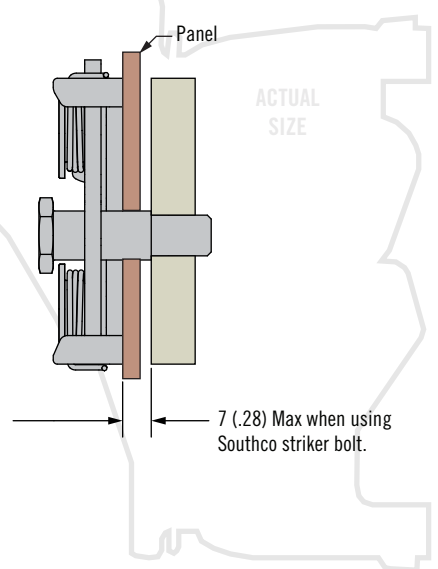
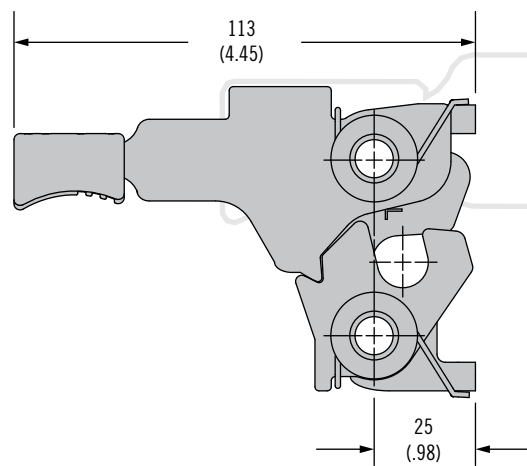


### Striker Bolt (sold separately)



Striker Bolt Part Numbers	
Part Number	Material
R4-91-231-10	Steel
R4-91-231-20	Stainless Steel

### Hand Actuation (left hand, single stage version shown)



#### S Stage & Actuation

- 1 Single stage, right hand
- 2 Single stage, left hand
- 3 Two stage, right hand
- 4 Two stage, left hand

#### I Mounting Style

- 0 Ø 8.3 (.327) thru
- 1 5/16-18 thread
- 2 M8 x 1.25 thread

**R4 - 20 - S I - L 01 - M**

#### M Material

- 10 Steel
- 20 Stainless steel

#### L Lever Type

- 4 Hand actuation (steel only)
- 5 Bottom

Other options available. For complete details on variety, part numbers, installation and specification, go to



[www.southco.com/R4](http://www.southco.com/R4)

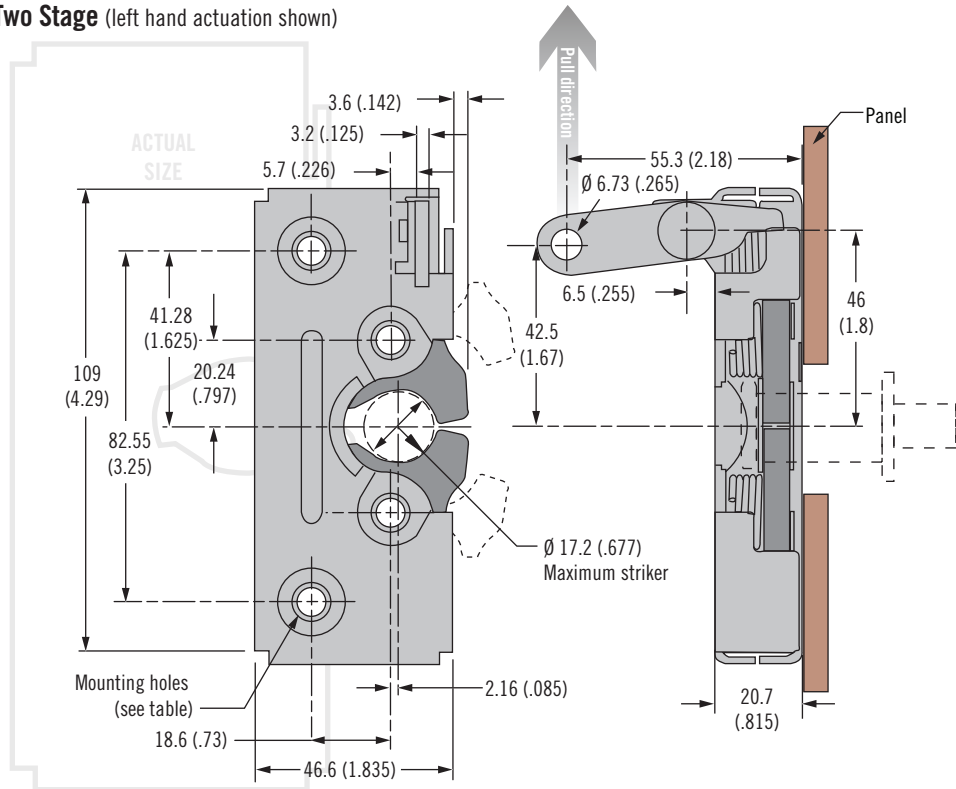
Dimensions in millimeters (inch) unless otherwise stated

# R4 Rotary Latch

## Heavy-duty · Two stage



### Two Stage (left hand actuation shown)



- Single or multi-point latch capability
- Compatible with wide array of actuators
- FMVSS 206 compliant
- EN 45545-3 E60 Compliant

### Material and Finish

Steel, zinc plated

### Accessories

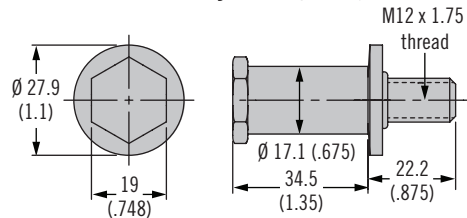
Cables and retainer clips  
see pages 272-275

### Notes

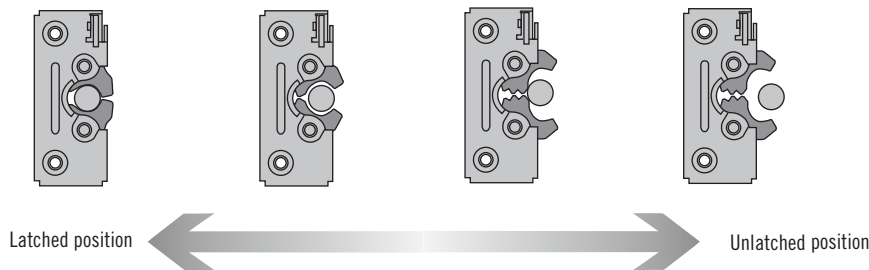
Electromechanical rotary latch available see page 23

For panel preparation visit [www.southco.com/R4](http://www.southco.com/R4)

### Striker Bolt Assembly (sold separately)



### Operation



Mounting Style	Part Number		
	Left Hand Actuation	Right Hand Actuation	Striker Bolt
$\varnothing 7.2$ (.283) Thru	R4-50-40-101-10	R4-50-30-101-10	R4-90-441-10
1/4-20 Thread	R4-50-41-101-10	R4-50-31-101-10	
M6 X 1 Thread	R4-50-42-101-10	R4-50-32-101-10	

### Part Number

See table

Order latch and striker bolt separately

Other options available. For complete details on variety, part numbers, installation and specification, go to



[www.southco.com/R4](http://www.southco.com/R4)



# R4-81 Rotary Paddle Latch

Pull-to-open

- Rear mount installation
- Direct actuation, no cable or rod required
- Single or two stage latching
- Integrated bumper option
- Environmentally sealed

### Material and Finish

Housing: Glass-filled nylon, black

Paddle: Zinc alloy, black powder coated or chrome plated

### Installation Notes

Maximum tightening torque on supplied mounting nuts 3 N·m

### Accessories

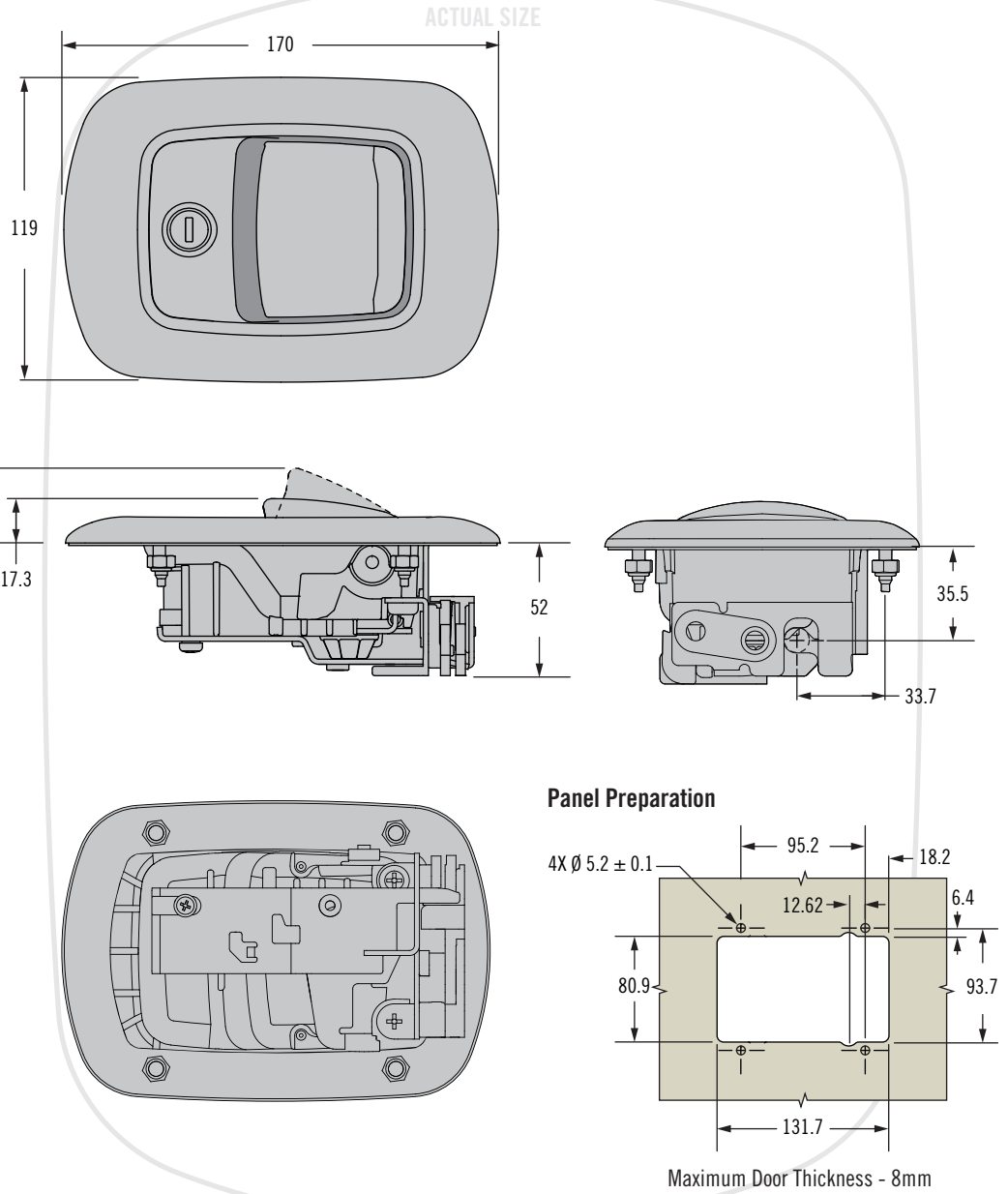
Striker bolt see page 259

### Notes

For lock core selection and a complete overview of the *SOUTHCO*® Key-Choice System see page 158

### Part Number

See table



- S** Stage & Bumper
- 2 Single Stage
  - 4 Two Stage
  - 6 Single Stage with Integrated Bumper
  - 8 Two Stage with Integrated Bumper

- PP** Paddle Finish
- 30 Chrome, polished
  - 50 Black powder coated

**R4 - 81 - S L 1 - PP - KC**

- L** Locking Options
- 1 Reversible Key (No Keys - R001)
  - 2 Reversible Key (2 Keys included - R001)
  - 3 Reversible Key (2 keys included - Keyed differently)
  - 4 Standard Key (No keys - CH751)
  - 5 Standard Key (2 Keys included - CH751)
  - 6 Standard Key (2 keys included - Keyed differently)
  - 9 No Lock Plug installed (See notes for more information)

- KC** Key Codes
- (Omit for Locking Options 1, 2, 4, 5 and 9)
- \***KD10** Keyed Differently (Only used if **L** =3 or 6)
  - \***MK10** Master Keyed Differently (Only used if **L** =6)

\*Supplied in multiples of 10 with 10 different key codes.

Other options available. For complete details on variety, part numbers, installation and specification, go to



[www.southco.com/R4](http://www.southco.com/R4)

Dimensions in millimetres unless otherwise stated