



R3 Push-to-Close Latch

Pull-to-open · Paddle handle · Baggage door latch

- Environmentally sealed
- Emergency release
- For use with R4 rotary latches

Material and Finish

Latch assembly: Zinc alloy, black or white powder coated or chrome plated

Slide bolt: Zinc alloy, zinc plated

Striker mounting plates and brackets: Steel, zinc plated

Performance Details

Maximum working load: 560 N (125 lbf)

Installation Notes

Maximum tightening torque on mounting screws: 2 N·m (14 in·lbf)

Notes

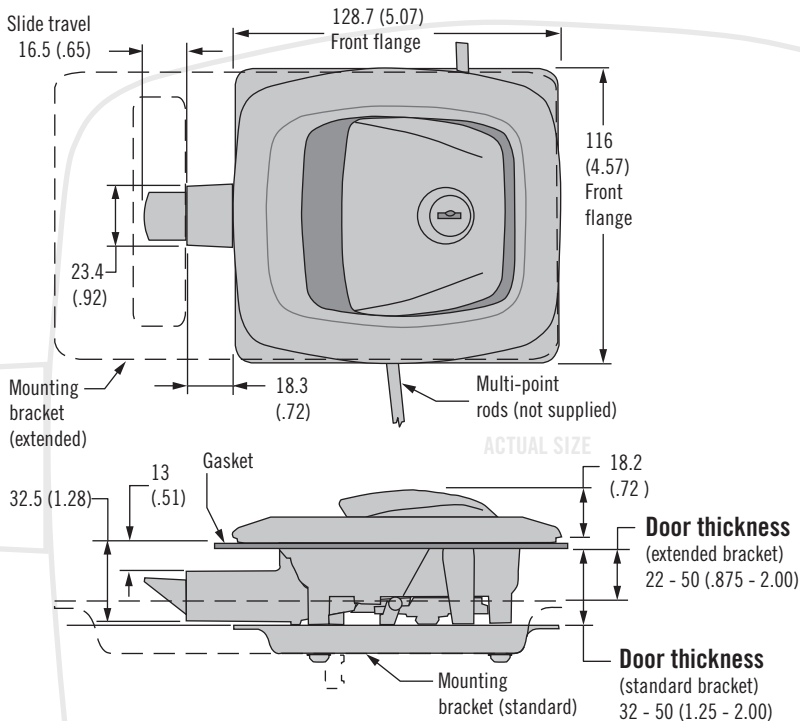
*For lock core selection and a complete overview of the *SOUTHCO*® Key-Choice System see page 158

Part Number

Order latch, bracket and mounting screws separately.

For latch see table

For bracket and mounting screws see page 239



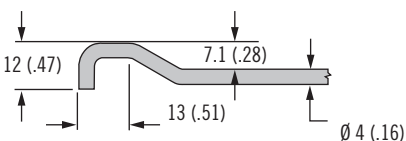
Multi-Point Capable

For applicable rotary latches see page 255.

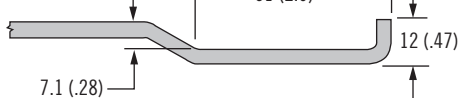
Actuating rods are not supplied
Recommended rod configuration shown below

Latch shown in actuated (unlatched) position (slide retracted)

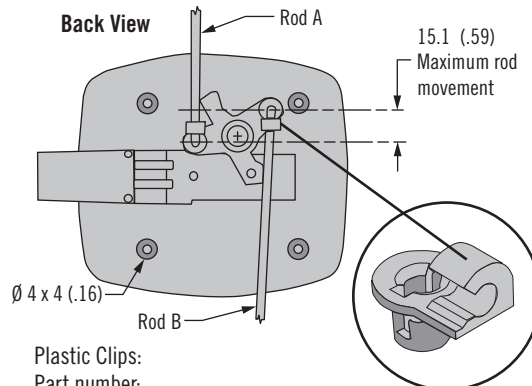
Rod A



Rod B



Back View



Plastic Clips:
Part number:
R4-0-43922 for 4mm rods are available as an option

Latch Finish	Part Number			
	Locking (CH751) (2 Flat Keys Included)	Locking (Reversible Key) R001 (2 Flat Keys Included)	Locking (No Core)*	Non-Locking
Chrome, polished	R3-20-350-10	R3-20-320-10	R3-20-390-10	R3-20-300-10
Black powder coated	R3-20-350-50	R3-20-320-50	R3-20-390-50	R3-20-300-50
White powder coated	R3-20-350-70	R3-20-320-70	R3-20-390-70	R3-20-300-70

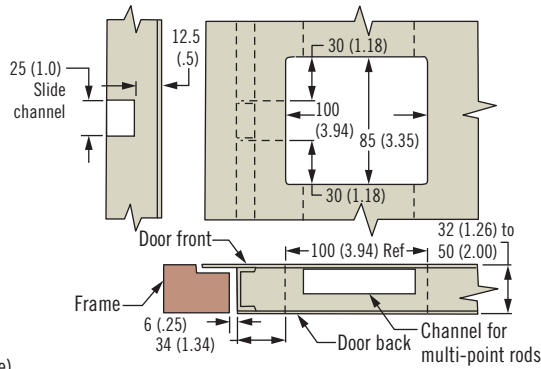
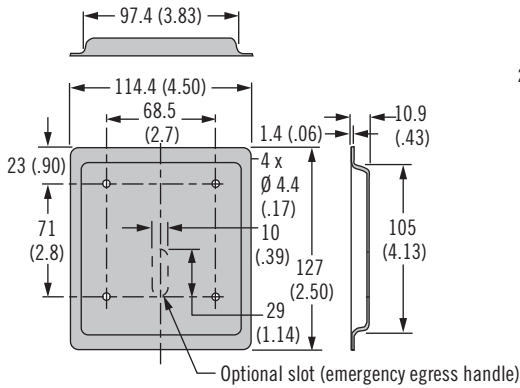
Other options available. For complete details on variety, part numbers, installation and specification, go to



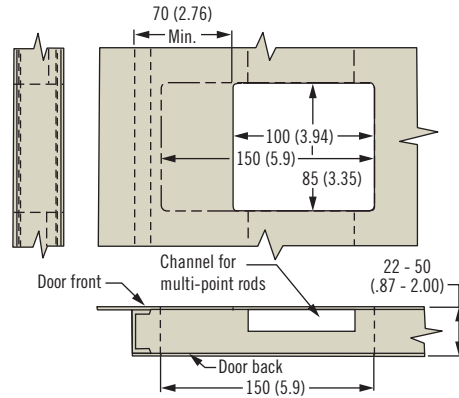
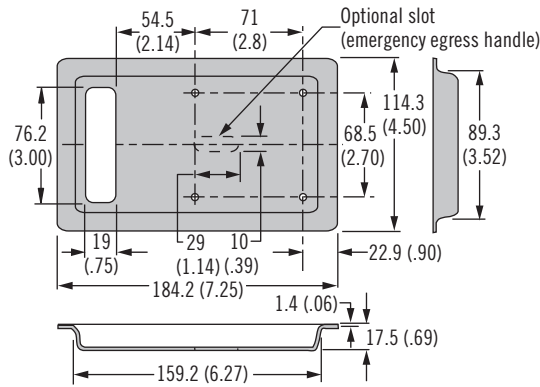
www.southco.com/R3

Dimensions in millimeters (inch) unless otherwise stated

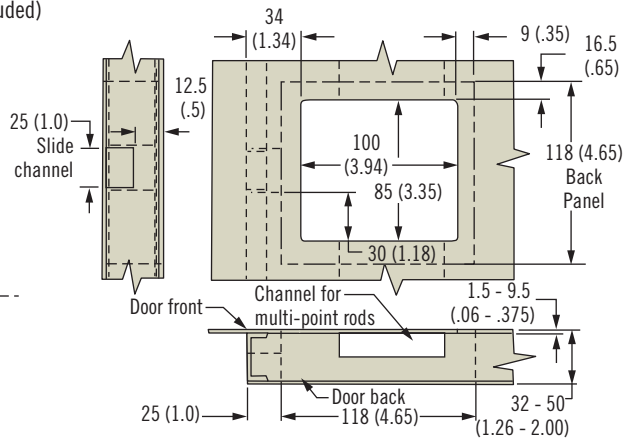
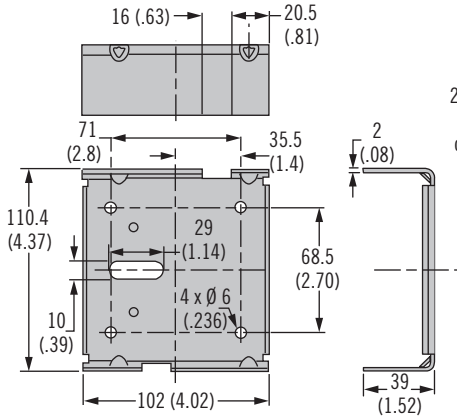
Standard Bracket



Extended Bracket



U-Bracket (slot for emergency egress handle included)



Accessories

Flat key, keyed alike CH751
(2 keys per ring)

Part number: PK-10-01



Overmolded key, keyed alike CH751
(2 keys per ring)



Part number: PK-10-01-05

Overmolded key, keyed alike R001
(2 keys per ring)

Part number: PK-10-01-05-KR001

Emergency egress handle (optional):
Part number: R3-21-110



Notes

U-bracket is intended for sheet metal door applications

Part Number

Order latch, bracket and mounting screws separately.

For latch see page 238

For bracket and mounting screws see table

Bracket Part Number		No. 8 Self Tapping Screw (Part Number By Length)				
		R3-23-250-01	R3-23-250-02	R3-23-250-03	R3-23-250-04	R3-23-250-05
		16 (.625) Long	19 (.750) Long	25.4 (1.00) Long	32 (1.250) Long	38 (1.500) Long
Standard Bracket	R3-23-160-11-01	32 (1.250)	32 (1.250) - 38 (1.500)	38 (1.500) - 44 (1.750)	44 (1.750) - 50 (2.00)	—
Extended Bracket	R3-23-162-11-01	22 (.875) - 25 (1.00)	25 (1.000) - 32 (1.250)	32 (1.250) - 38 (1.500)	38 (1.500) - 44 (1.750)	44 (1.750) - 50 (2.00)
U-Bracket	R3-23-161-11	1.5 (.0620) - 4.8 (.187)	4.8 (.187) - 9.5 (.375)	—	—	—
Door thickness						



R3 Push-to-Close Latch

Pull-to-open · Paddle handle · Entry door latch

- Environmentally sealed
- Dual sided access and locking

Material and Finish

Latch assembly: Zinc alloy, black powder coated or white or chrome plated

Slide bolt: Zinc alloy, zinc plated

Striker mounting plates and brackets: Steel, zinc plated

Performance Details

Maximum working load:

560 N (125 lbf)

Operating temperature range:

-18°C (0°F) to 60°C (140°F)

Installation Notes

Maximum tightening torque on mounting screws: 2 N·m (14 in·lbf)

Accessories

Overmolded key, keyed alike CF305 (2 keys per ring)

Part number: PK-10-01-09-CF305



Replacement screws

Part number: R3-13-310

Notes

Mounting plate, striker plate and all mounting screws except striker plate screws are provided with each lock set.

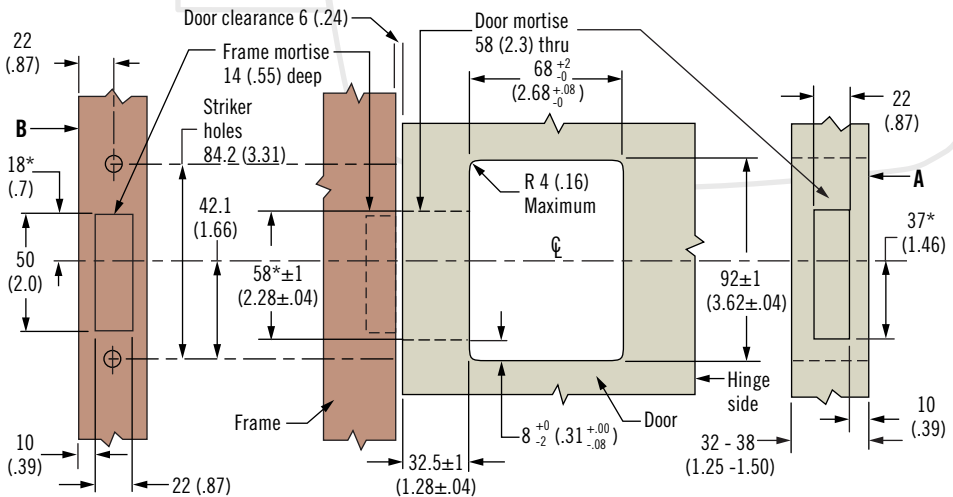
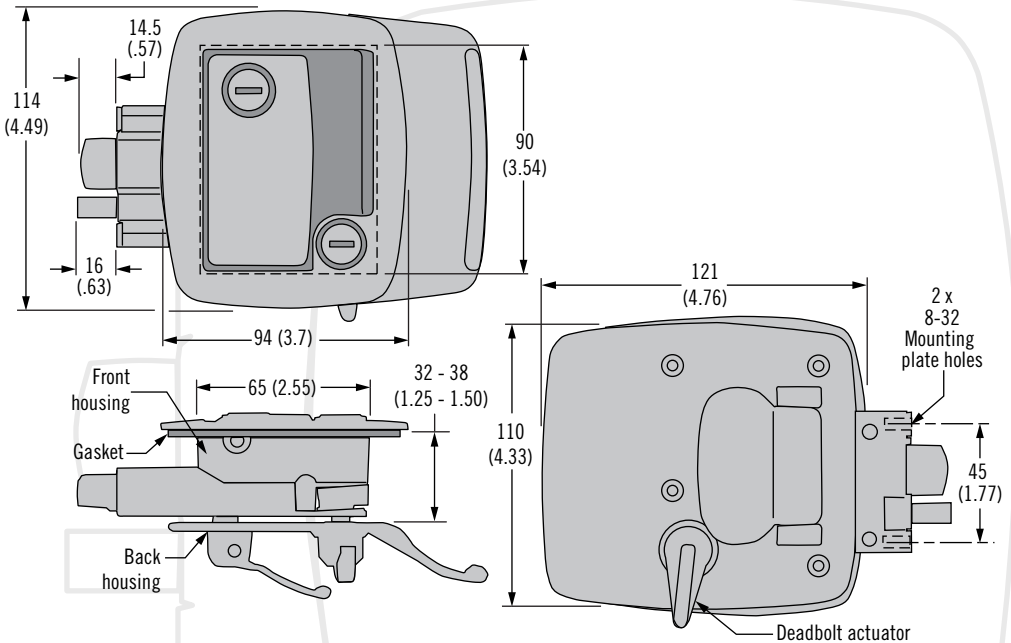
Part Number

See table

Other options available. For complete details on variety, part numbers, installation and specification, go to

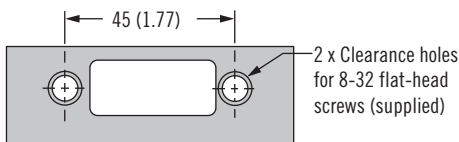


www.southco.com/R3



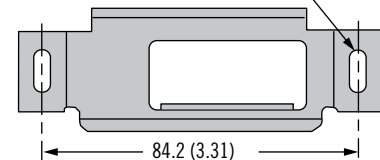
*For left hand mounting mirror the dimensions marked with * by moving them to the other side of the centerline.

Mounting Plate



Striker Plate

2 x Clearance holes for screws (not supplied)



Finish	Latch Part Number
Chrome, polished	R3-10-311-10
Black powder coated	R3-10-311-50
White Powder coated	R3-10-311-70

Part Number	
Mounting plate	R3-13-190
Striker plate	R3-13-180

Dimensions in millimeters (inch) unless otherwise stated



R3-22 Multi Point Actuator

Pull-to-open Paddle

- Single or multi-point actuation capability
- Compatible with a wide range of rotary latches
- Environmentally sealed

Material and Finish

Latch assembly: Zinc alloy, black or white powder coated or chrome plated.
 Mounting bracket: Steel, zinc plated

Installation Notes

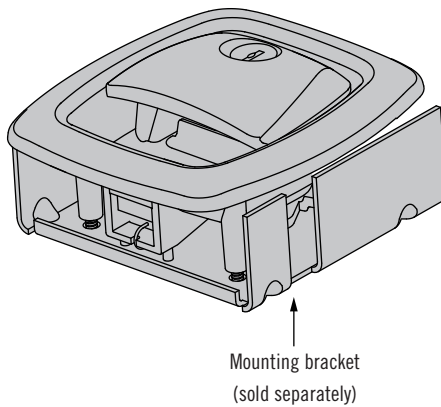
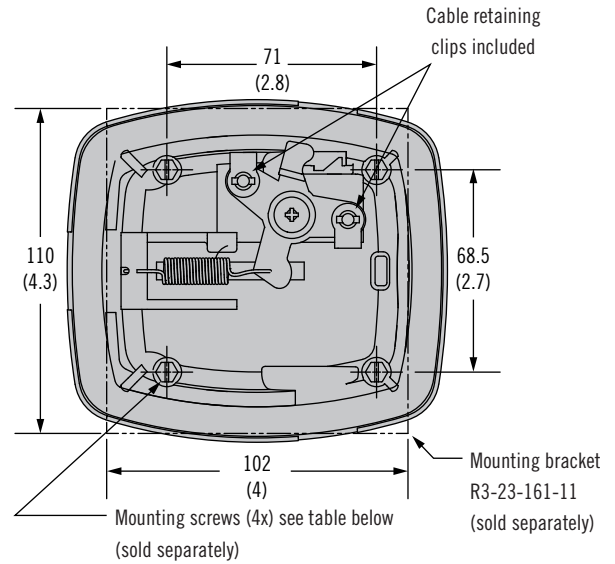
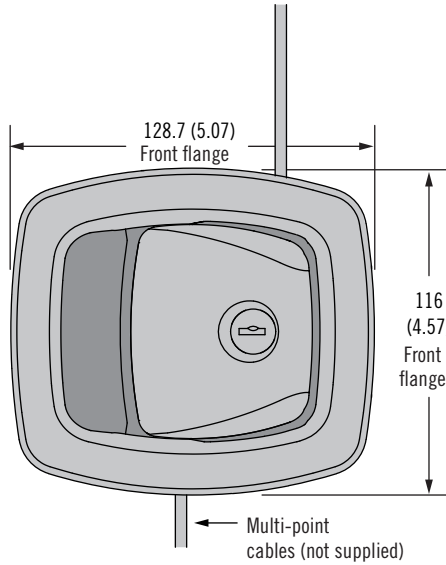
Maximum tightening torque on mounting screws: 2 N•m (14 in•lbf)

Notes

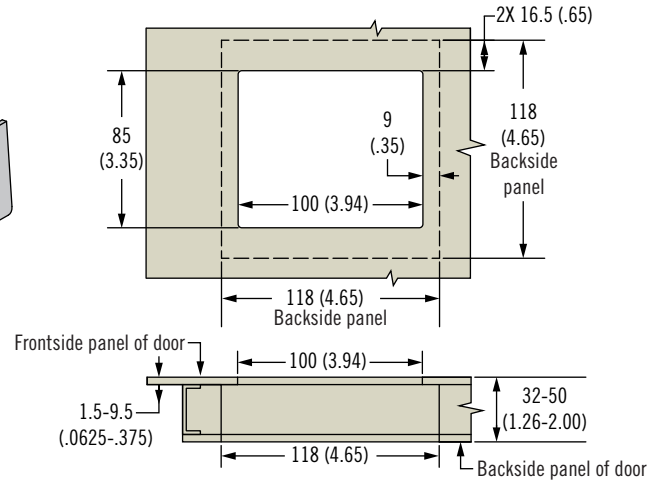
For lock core selection and a complete overview of the *SOUTHCO*® Key-Choice System see page 158
 Can be configured with 1 or 2 cables. Recommended cable type 7. Cable mounting brackets sold separately. (See page 275).

Part Number

Order latch, bracket and mounting screws separately
 For latch see table
 For mounting bracket, order part number R3-23-161-11
 See table for mounting screws



Panel Preparation



R3 - 22 - 3 L 0 - F 0

L Locking Options

- 0 Non-locking
- 1 Reversible Key (No keys - R001)
- 2 Reversible Key (2 keys included - R001)
- 4 Standard Key (No keys - CH751)
- 5 Standard Key (2 Keys included - CH751)
- 9 No lock plug installed (see notes for more information)

F Finish

- 1 Polished chrome
- 5 Black powder coated
- 7 White powder coated

Screws for Mounting Bracket Part Number R3-23-161-11

Front Door Thickness	No. 8 Self Tapping Screw (order 4 per latch)
1.5 (.062) - 4.8 (.187)	R3-23-250-01
4.8 (.187) - 9.5 (.375)	R3-23-250-02

Other options available. For complete details on variety, part numbers, installation and specification, go to



Dimensions in millimeters (inch) unless otherwise stated