

R2 Draw Latch

Concealed · Tab Mount

- High tensile load
- Adjustable pull-up
- Suited for thin panels

Material and Finish

Steel, zinc plated

Performance Details

Average ultimate tensile load:

6200 N (1400 lbf)

Average ultimate shear load:

8900 N (2000 lbf)

Installation Notes

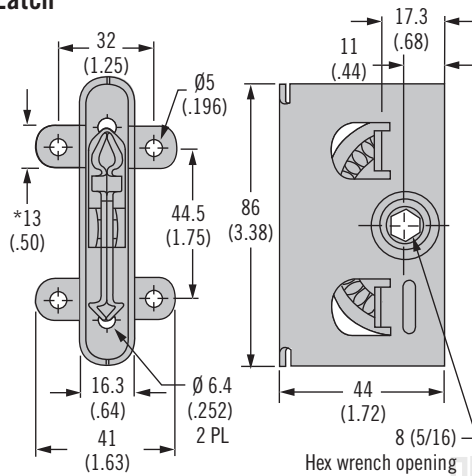
Install assembly with M5 (No. 10) screws (not supplied)

Accessories

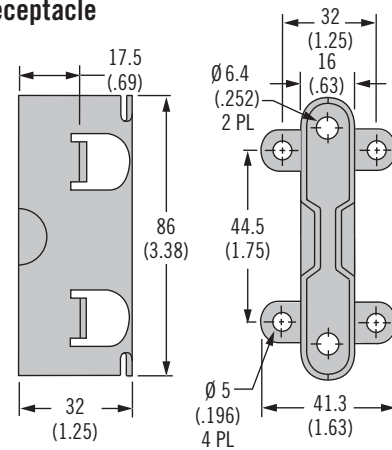
Actuation tool

Part number: 29-0059-02

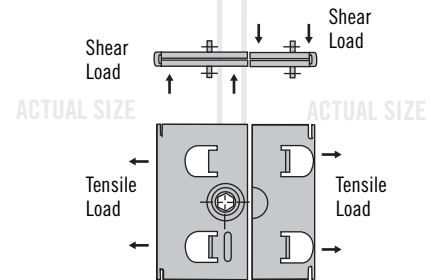
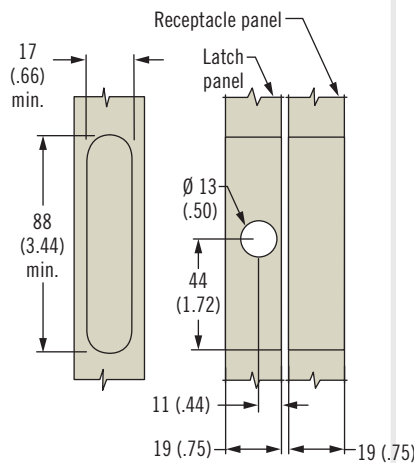
Latch



Receptacle

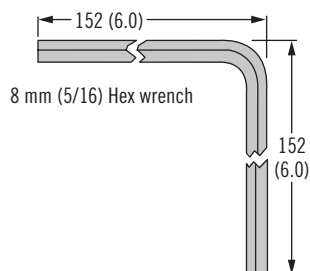


* Typical on latch and receptacle



Accessories

Actuation Tool



Part Number

See table

Order latch and receptacle separately

Part Number	
Latch	R2-0259-02
Receptacle	R2-0257-02

Other options available. For complete details on variety, part numbers, installation and specification, go to

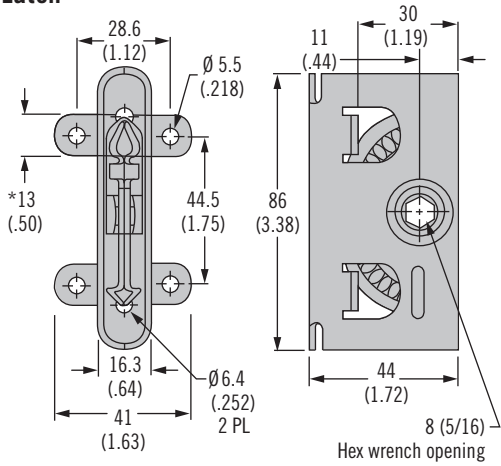
INFO CLIC www.southco.com/R2

Dimensions in millimeters (inch) unless otherwise stated

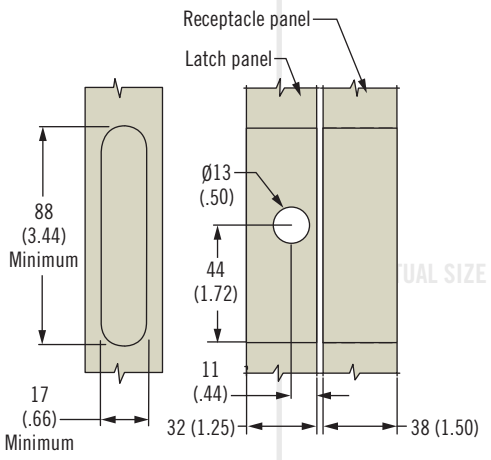
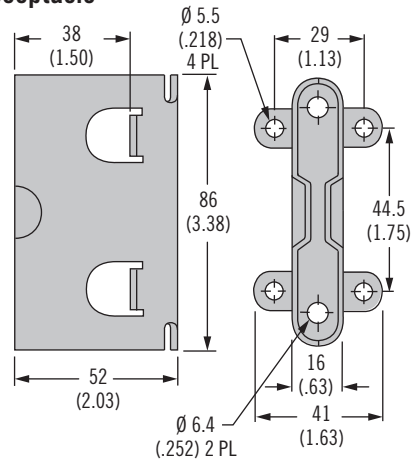
R2 Draw Latch Concealed · Tab Mount



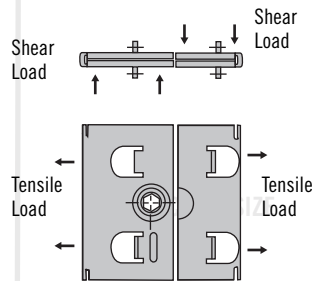
Latch



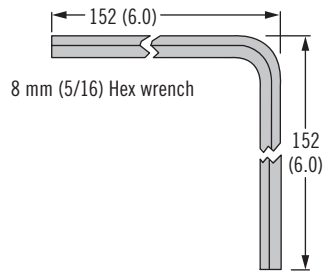
Receptacle



* Typical on latch and receptacle



Accessories Actuation Tool



- High tensile load
- Adjustable pull-up
- Suited for thick panels

Material and Finish

Steel, zinc plated

Performance details

Average ultimate tensile load:
6200 N (1400 lbf)

Average ultimate shear load:
8900N (2000 lbf)

Installation Notes

Install assembly with $\varnothing 5 (.205)$ rivets or M5 (No. 10) screws (not supplied)

Accessories

Actuation Tool

Part number: 29-0059-02

Part Number	
Latch	R2-0169-02
Receptacle	R2-0160-02

Part Number

See table

Order latch and
receptacle separately

Other options available. For complete details on variety, part numbers, installation and specification, go to



R2 Draw Latch

Concealed · Mortise

- High tensile load
- Adjustable pull-up
- Suited for mortise or side mount installation

Material and Finish

Steel, zinc plated

Performance Details

Average ultimate tensile load:
6200 N (1400 lbf)

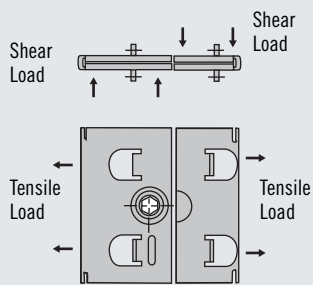
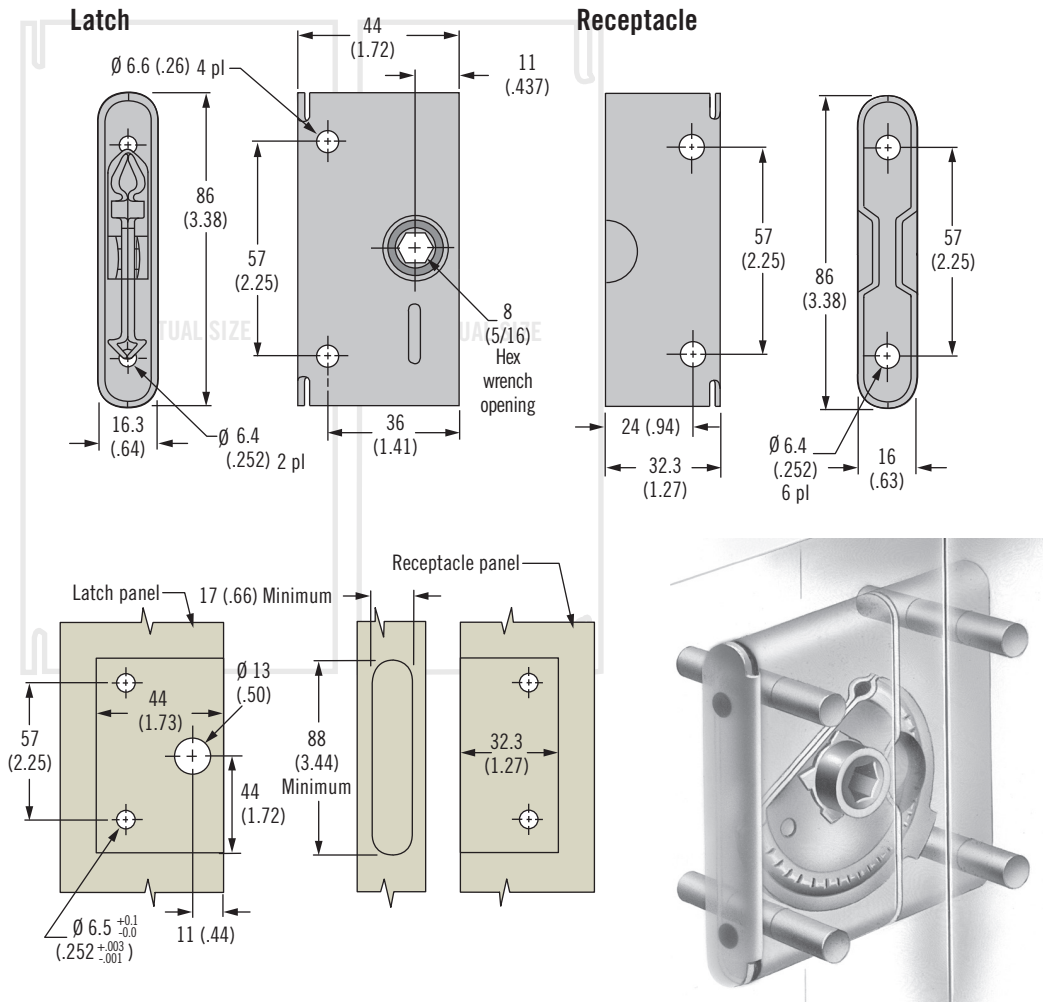
Average ultimate shear load:
8900 N (2000 lbf)

Installation Notes

Install assembly with $\varnothing 6$ (1/4) rivets or M6 (1/4) screws (not supplied).
A 1.6 (.06) gap should be maintained between latch and receptacle.

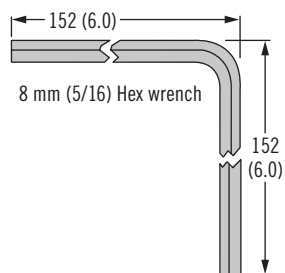
Accessories

Actuation tool
Part number: 29-0059-02



Accessories

Actuation Tool



Part Number

See table

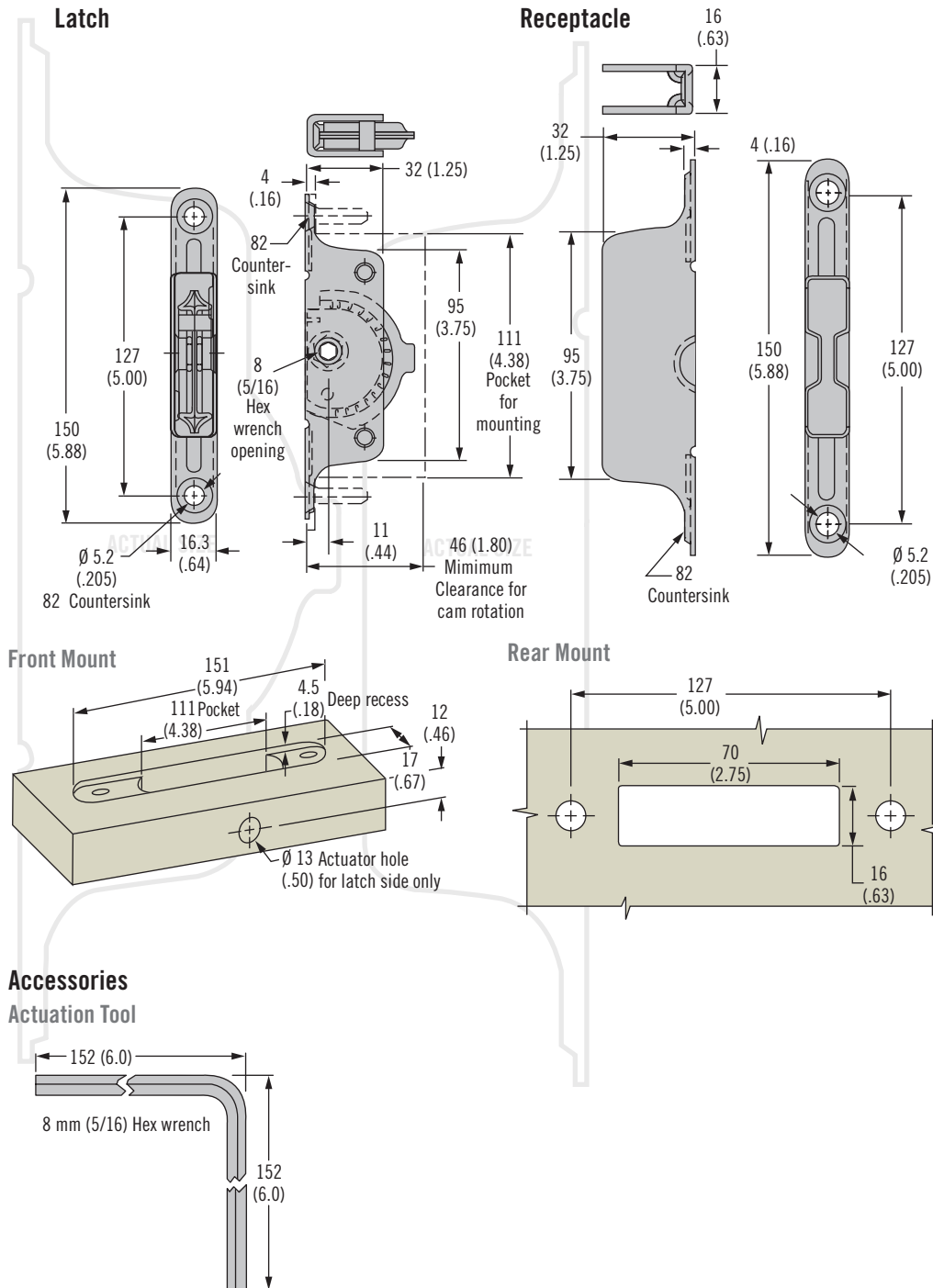
Order latch and receptacle separately

Part Number	
Latch	R2-0055-02
Receptacle	R2-0002-02

Dimensions in millimeters (inch) unless otherwise stated

R2 Draw Latch

Concealed - Front mount



- High tensile load
- Adjustable pull-up
- Front mount installation

Material and Finish

Steel, zinc plated

Performance Details

Average ultimate tensile load:
4000 N (900 lbf)

Installation Notes:

Wood application:

Install assembly with M5 (No. 10) flat head screws (not supplied).

Note: Latch strength is dependant on mounting hardware and installation material

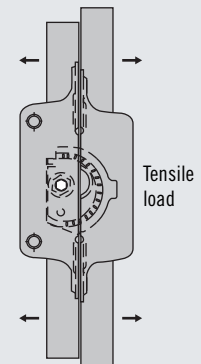
Metal application:

Install assembly with 5 (.196) flathead rivets or M5 (No. 10) screws. Note: Maximum metal panel thickness should be 2.5 (.10)

Accessories

Actuation tool

Part number: 29-0059-02



Part Number

See table

Order latch and receptacle separately

Part Number	
Latch	R2-0267-02
Receptacle	R2-0268-02



R5 Draw Latch

Concealed · Mortise Mount

- High tensile load
- Consistent pull-up
- Concealed installation

Material and Finish

Steel, zinc plated

Performance Details

Average ultimate tensile load:
11,100 N (2500 lbf)

Average ultimate shear load:
76,920 N (17292 lbf)

Installation Notes

Install assembly with $\varnothing 6$ (1/4) rivets or M6 (1/4) screws (not supplied)

Accessories

Actuation tool

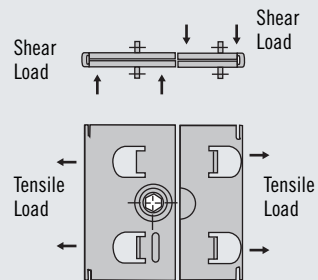
Part number: 29-0059-02

Notes

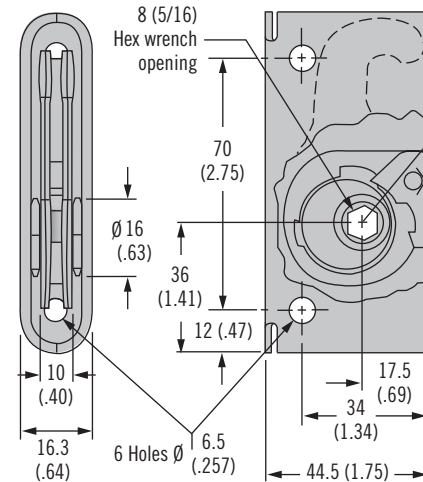
Operating force

To open: 4 N·m (35 in·lbf)

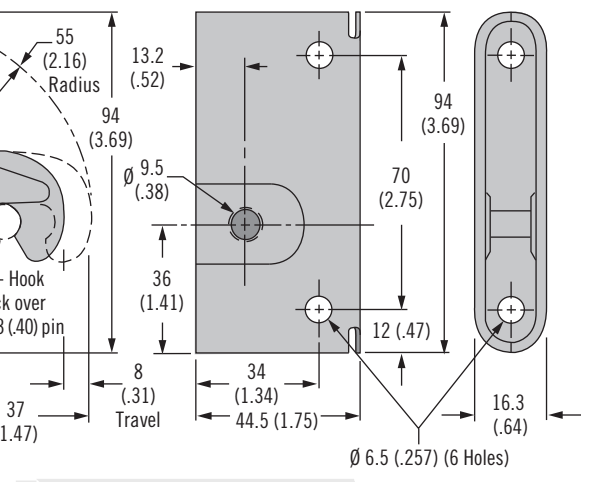
To close: 4 N·m (35 in·lbf)



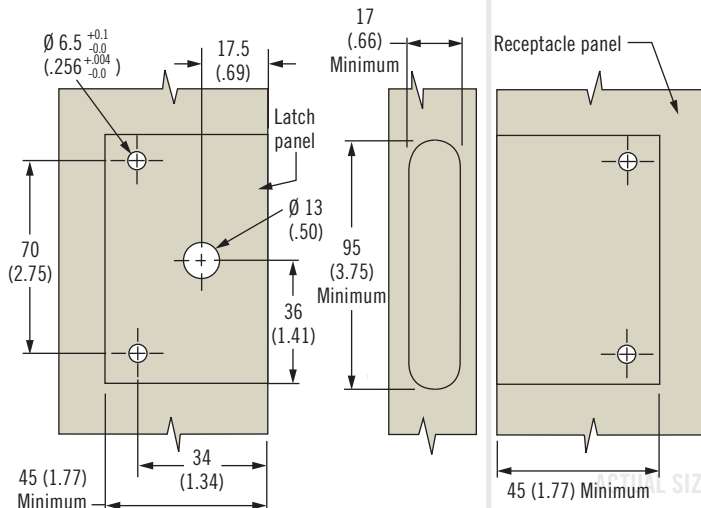
Latch



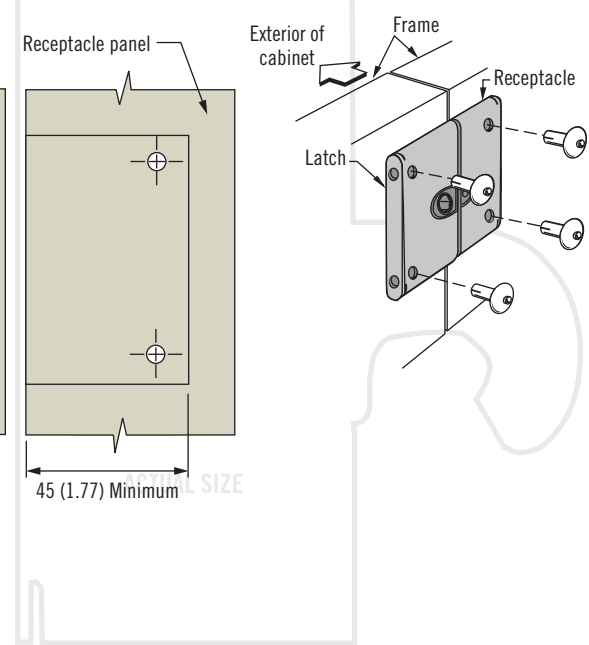
Receptacle



Recessed Pocket

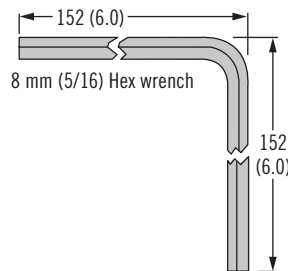


Side Mount



Accessories

Actuation Tool



Part Number

See table

Order latch and receptacle separately

Part Number	
Latch	Receptacle
R5-0074-07	R5-0079-07