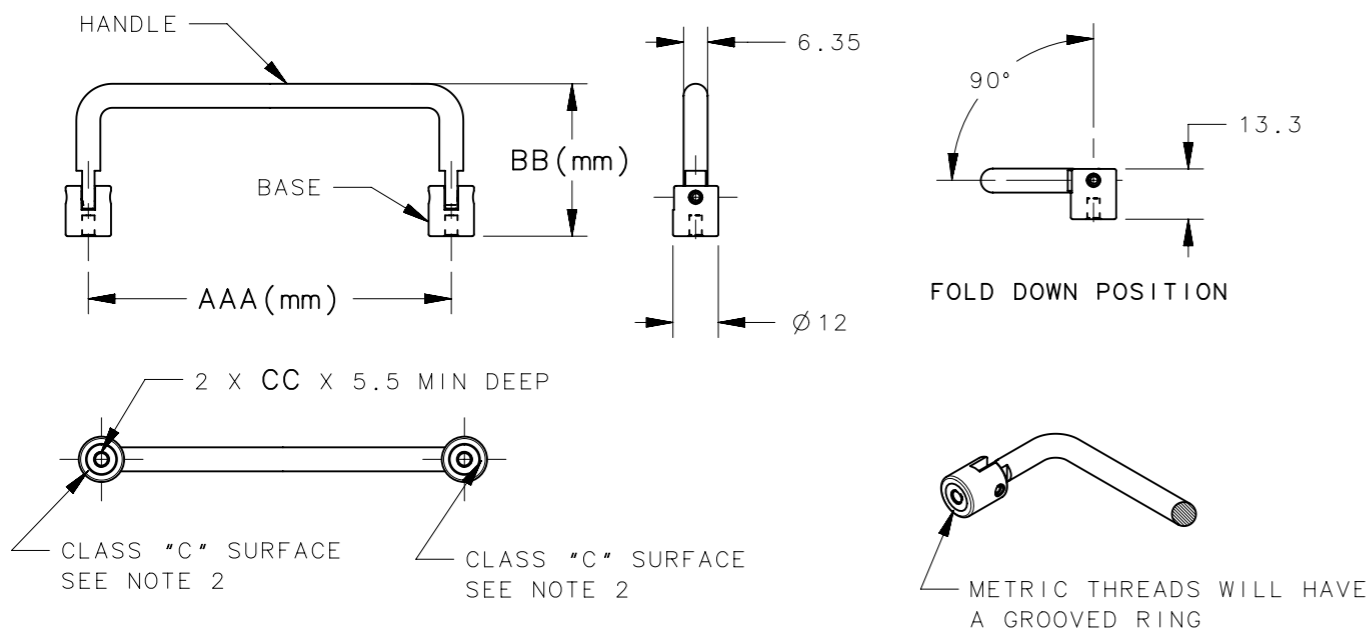
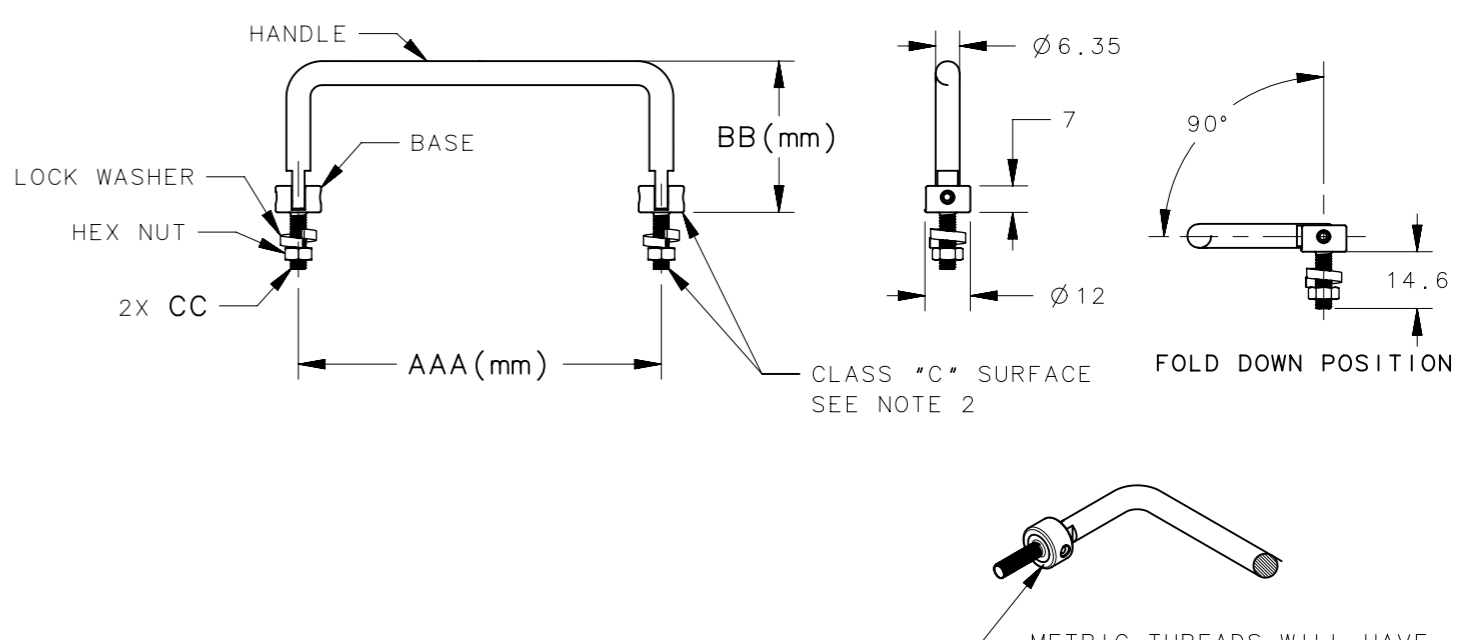


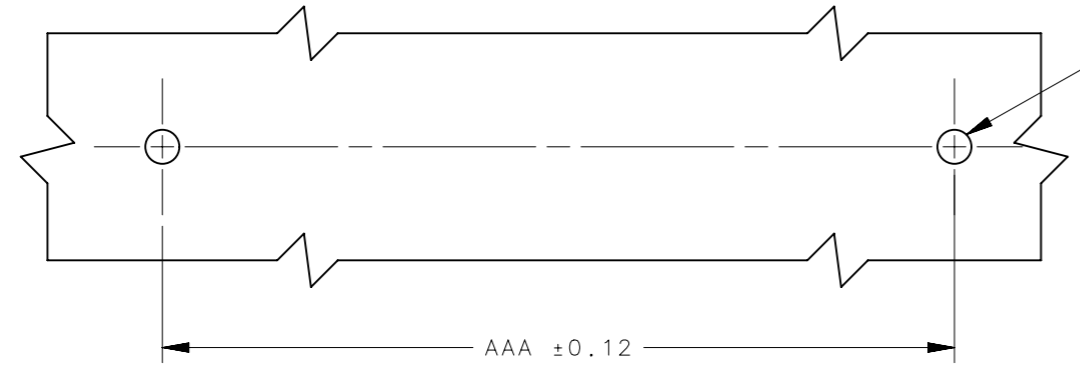
REVISION HISTORY			
REV	DATE	BY	DESCRIPTION
G	18APR2018	CB1/VK	PRN: P2018-0960



N-INTERNAL THREADED
MOUNTING SCREW LENGTH = PANEL THICKNESS + 5mm
MOUNTING HARDWARE NOT INCLUDED



X-EXTERNAL THREADED
PANEL THICKNESS = 8.5 MAX
MOUNTING HARDWARE INCLUDED - (2) HEX NUTS AND (2) LOCK WASHERS



- 2X Ø 3.5 ± 0.1 THRU FOR 4-40 & M3 SCREWS
- Ø 4.0 ± 0.1 THRU FOR 6-32 SCREWS
- Ø 4.5 ± 0.1 THRU FOR 8-32 & M4 SCREWS
- Ø 5.5 ± 0.1 THRU FOR 10-32 & M5 SCREWS

P9-AAA-BB-CCD-EE-3

HEIGHT OF PULL IN MILLIMETERS	THREAD TYPE	THREAD ORIENTATION
40 = 40	04 = 4-40 THREAD	N = FOR INTERNAL THREADS
	06 = 6-32 THREAD	X = FOR EXTERNAL THREADS
	08 = 8-32 THREAD	
	10 = 10-32 THREAD	11 = ALUMINUM, CLEAR ANODIZED
	M3 = M3 X 0.5 THREAD	15 = ALUMINUM, BLACK ANODIZED
	M4 = M4 X 0.7 THREAD	24 = STAINLESS STEEL, NATURAL

- NOTES:-
- MATERIAL AND FINISH:**
HANDLE - SEE PART NUMBER -EE
BASE - SEE PART NUMBER -EE
BUSHING - NYLON, NATURAL
COILED PIN - NICKEL STAINLESS STEEL SAE 30302/30304, PASSIVATED
HEX NUT & LOCK WASHER - 300 SERIES STAINLESS STEEL, NATURAL
 - COSMETIC SPECIFICATION:**
ALL SURFACEES UNLESS OTHERWISE NOTED ARE TO CONFORM TO A CLASS "B" DESIGNATION AS DESCRIBED IN SOUTHCO COSMETIC SPECIFICATION S-121-03.
 - PACKAGING:**
PULLS ARE PACKAGED IN TRAY, LAYERED.
FOR INDIVIDUALLY PACKAGED, (1) HANDLE IN POLYTHYLENE BAG, REMOVE THE -3 SUFFIX IN THE PART NUMBER.
 - ALL HANDLES ARE RoHS COMPLIANT.
 - TO REQUEST A THREAD SIZE NOT LISTED CONSULT SOUTHCO ENGINEERING.

THIRD ANGLE PROJECTION		southco CONNECT • CREATE • INNOVATE	
MILLIMETERS [IN]			
TOLERANCES UNLESS OTHERWISE NOTED		DESCRIPTION P9 FOLDING (INFINITE POSITION) HANDLES	
ALL DIMENSIONS WITHOUT TOLERANCES ARE FOR REFERENCE ONLY.		SIZE A3	SYSTEM NX
PER ASME Y14.5M-1994		DWG NO. J-P9-1	DATE 11SEP2004
EXCEPT FOR USES EXPRESSLY GRANTED IN WRITING, INFORMATION DISCLOSED HEREON IS CONFIDENTIAL AND ALL RIGHTS, PATENT AND OTHERWISE, ARE RESERVED BY SOUTHCO, INC.		SCALE 1:2	SHEET 1 OF 1