



P2 Flush Pull

Low profile · Lift or pull · Single hole mount

- Snap-in installation
- 2 sizes

Material and Finish

ABS plastic, black

Performance Details

Maximum static load:

Lifting / pulling: 1300 N (300 lbf)



Pushing / sliding: 450 N (100 lbf)



Flammability rating:

UL94-HB or UL94-V0

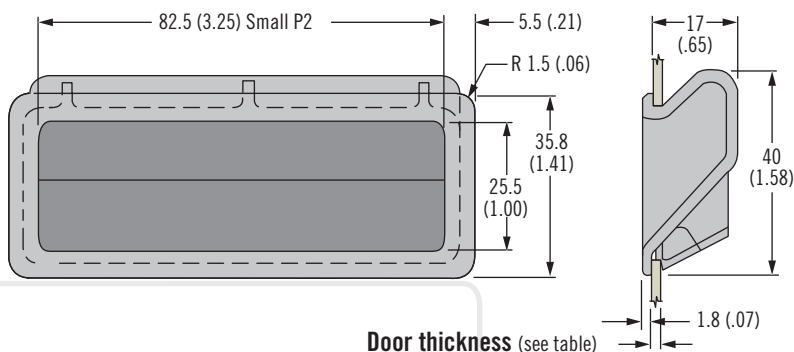
Operating temperature range:

-50°C (-60°F) to 60°C (140°F)

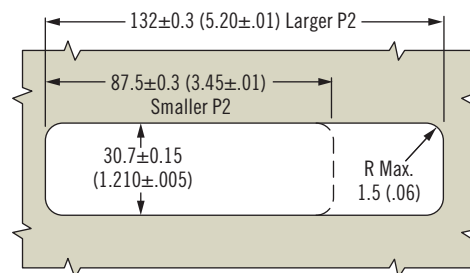
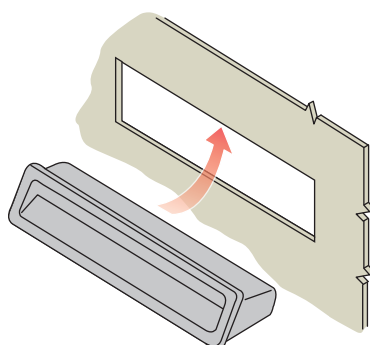
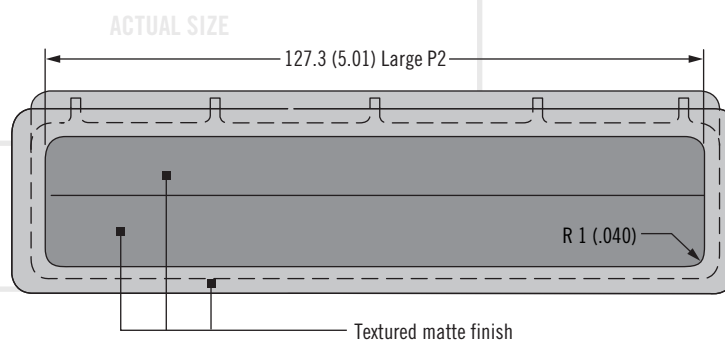
Notes

Performance details are based on installation in a 1.2 (.048) thick steel door. Maximum loads are limited by door strength.

Small



Large



Part Number Selection

Door Thickness Range		Part Number			
		Small		Large	
Min.	Max.	UL94-HB	UL94-V0	UL94-HB	UL94-V0
1.0 (.040)	1.4 (.055)	P2-41	P2-41-1	P2-51	P2-51-1
1.4 (.055)	1.8 (.070)	P2-42	P2-42-1	P2-52	P2-52-1
1.8 (.070)	2.1 (.085)	P2-43	P2-43-1	P2-53	P2-53-1
2.1 (.085)	2.5 (.100)	P2-44	P2-44-1	P2-54	P2-54-1

Other options available. For complete details on variety, part numbers, installation and specification, go to



www.southco.com/P2

Dimensions in millimeters (inch) unless otherwise stated

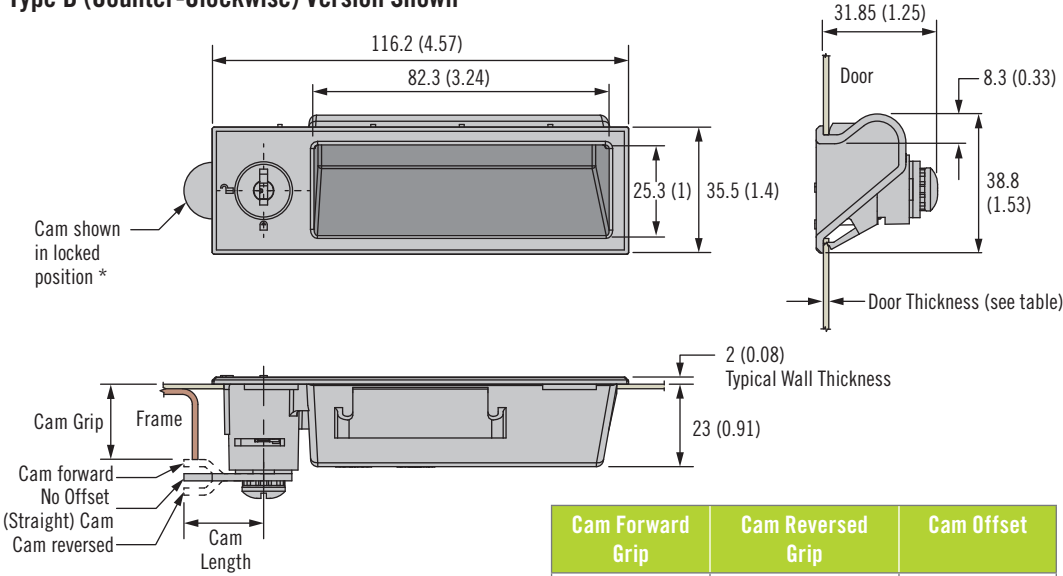
southco
CONNECT · CREATE · INNOVATE

P2 Flush Pull - Lockable

Low profile · Lift or pull · Single hole mount

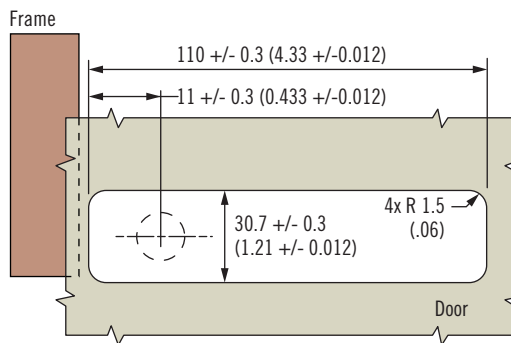
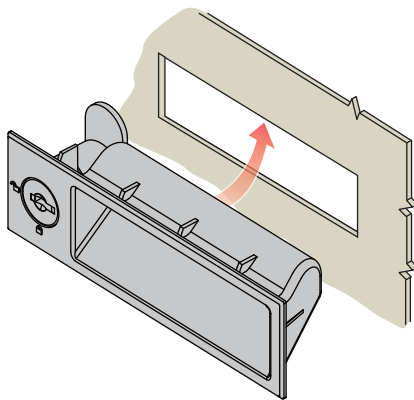


Type B (Counter-Clockwise) Version Shown



* Cam Ordered Separately
For Cam Part Numbers and options see our Handbook page 167 or www.southco.com

Cam Forward Grip	Cam Reversed Grip	Cam Offset
25 (0.98)	25 (0.98)	No Offset
21.8 (0.86)	28.2 (1.11)	3.2 (1.25)
18.6 (0.73)	31.4 (1.24)	6.4 (.250)
15.5 (0.61)	34.5 (1.36)	9.5 (.375)



- Snap-in installation
- Lockable
- Lock core included or sold separately
- Cam sold separately

Material and Finish

Pull: ABS plastic, black

Lock parts:

Zinc alloy, powder coated. Brass.

Steel, zinc plated. Buna-N

Flammability Rating

UL94-HB or UL94-V0 (See table)

Notes

For pulls without lock core, lock core sold separately, see page 158.

Cam sold separately. See page 167.

Part Number Selection

D Door Thickness Range

- 1.0 (.040) - 1.4 (.055)
- 1.4 (.055) - 1.8 (.070)
- 1.8 (.070) - 2.1 (.085)
- 2.1 (.085) - 2.5 (.100)

M Material

- 1 UL94-V0 PC/ABS
- 2 UL94-HB ABS

R Rotation

- 1 Type A (Clockwise to lock)
- 2 Type B (Counter-Clockwise to lock)

L Lock Style

- 2 With lock core, keyed alike CH751 (with two flat keys supplied)
- 9 Without lock core (See our handbook page 183 or visit www.southco.com)

P2 - 4 D M - R L

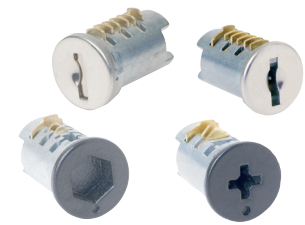
Other options available. For complete details on variety, part numbers, installation and specification, go to



www.southco.com/P2

PK Lock Cores

SOUTHCO® Key-Choice System



Lock Cores - Disc Tumbler

Lock Core Part Number						
Keying	Key code	Bag qty	Shuttered stainless steel scalp	Non shuttered stainless steel scalp	Non shuttered black powder coated	Non shuttered chrome plated
KA	CH751	1	PK-39-72-13-KCH751	PK-132-13	PK-115-13	PK-116-13
KA	RS001	1	PK-39-72-13-RS001	PK-132-13-RS001	PK-29-15-13-RS001	PK-29-16-13-RS001
KD	10 CODES	10	PK-39-72-13-KD1010	PK-132-13-KD1010	PK-29-15-13-KD1010	PK-29-16-13-KD1010
KD	50 CODES	50	PK-39-72-13-KD1050	PK-132-13-KD1050	PK-29-15-13-KD1050	PK-29-16-13-KD1050
KD	125 CODES	125	PK-39-72-13-KD1125	PK-132-13-KD1125	PK-29-15-13-KD1125	PK-29-16-13-KD1125
MKKD	10 CODES	10	PK-39-72-13-MK1010	PK-132-13-MK1010	PK-29-15-13-MK1010	PK-29-16-13-MK1010
MKKD	50 CODES	50	PK-39-72-13-MK1050	PK-132-13-MK1050	PK-29-15-13-MK1050	PK-29-16-13-MK1050
MKKD	125 CODES	125	PK-39-72-13-MK1125	PK-132-13-MK1125	PK-29-15-13-MK1125	PK-29-16-13-MK1125

Keys	Part Number
Master Key (1)	PK-24-01
Control (Removal) Key (1)	PK-11-03

Keys	Part Number
CH751	PK-10-01
RS001	PK-10-01-RS001

Key code selection

KA - Keyed Alike:

All lock cores are the same key code

KD - Keyed Differently:

Multiple key codes provided in a non-master key system

MKKD - Master Keyed, Keyed Differently:

Multiple key codes provided in a master key system

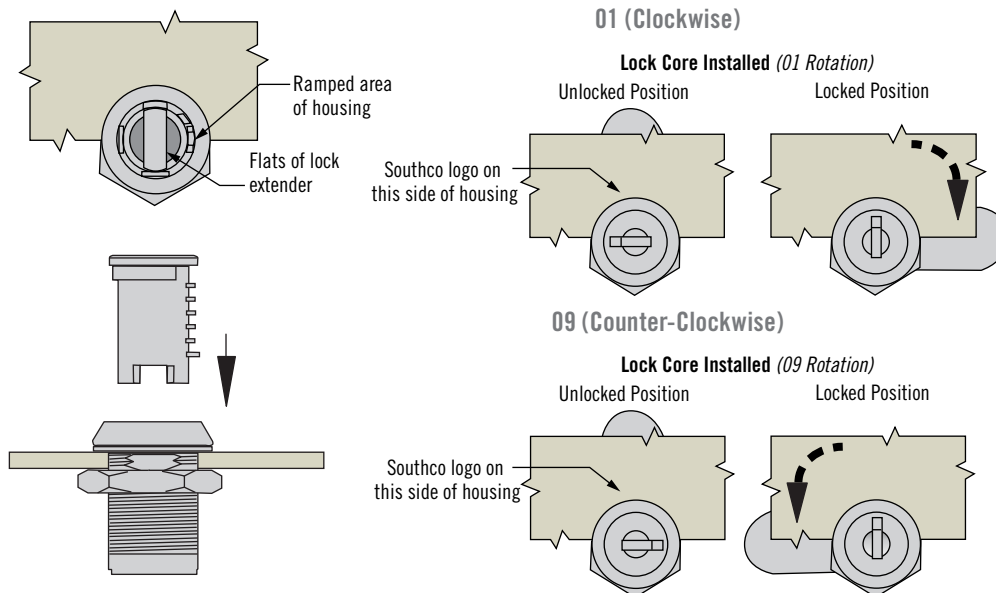
Notes

Part Number includes 1 lock core and 2 keys

Lock Cores - Tool Operable

Head Style	Lock Core Part Number			
	Phillips recess	Slotted	4 mm Hex recess	8 mm Hex recess
Chrome plated	PK-0-34027-01	PK-0-43489-01	PK-0-34323-01	PK-0-40374-01
Black powder coated	PK-0-34027-50	PK-0-43489-50	PK-0-34323-50	PK-0-40374-50

Lock Core Installation for CM-3 and CM-6 only (see page 164)



Installation Notes

1. Prepare panel and install latches shown on page 164.
2. Latch should be in unlatched position. The flats of the lock extender should be aligned with the flats on the housing.
3. Take a lock core and orient the brass wafers to the internal ramped area of the housing. Push lock core into housing until it stops.
4. Insert key into lock core and turn to verify lock core is fully seated and operating properly.
5. Install cam.

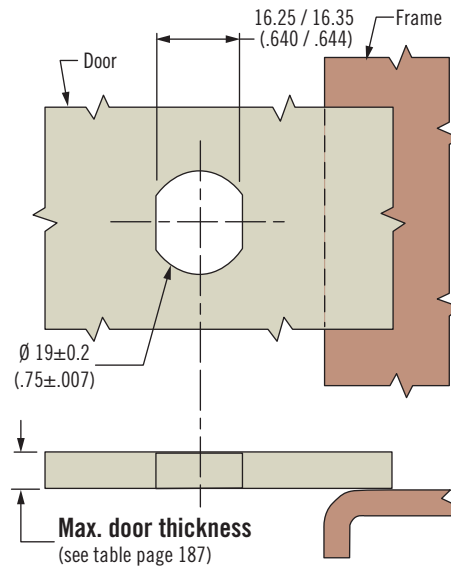
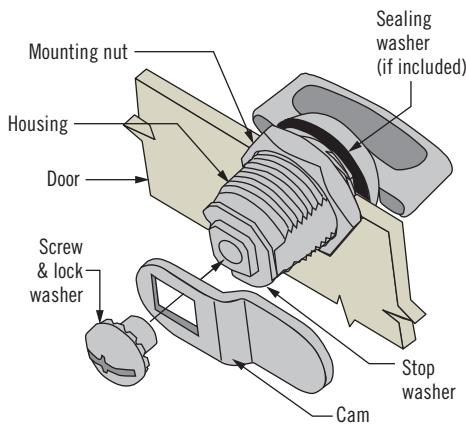
Other options available. For complete details on variety, part numbers, installation and specification, go to



www.southco.com/PK

CM Cam Locks

Cams & installation



Installation Notes

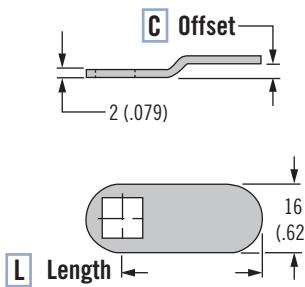
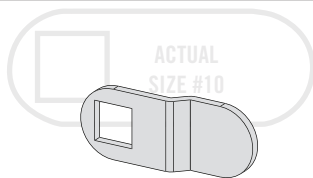
1. Place sealing washer onto housing (if included) and put through the mounting hole (see panel preparation).
2. Install mounting nut and tighten to 5 N•m (44 in•lbf).
3. Install cam to assembly. Properly orientate for rotation and grip.
4. Install screw. Tighten to 4 N•m (35 in•lbf).

Material and Finish

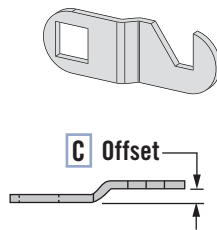
Cam: Steel plated

Part Number Selection

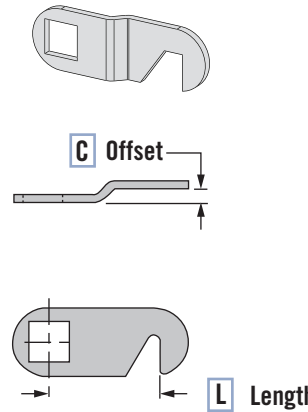
See table
 Order lock and cam separately
 Cam part number (no lock)
 For Lock selection see pages 164-166



S C - No hook



S H - Hook type 1



S L - Hook type 2

