

southco

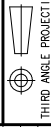
PROPRIETARY ITEM - EXCEPT FOR USES EXPRESSLY GRANTED IN WRITING, INFORMATION DISCLOSED HEREIN IS UNLAWFULLY COPIED, REPRODUCED, OR OTHERWISE OBTAINED WITHOUT THE WRITTEN PERMISSION OF SOUTHCO, INC.

SNAP-IN POCKET PULL®, SMALL

DATE: 8-15-90
DRAWN: PEK
CHKD: SCALE: 1.5:1

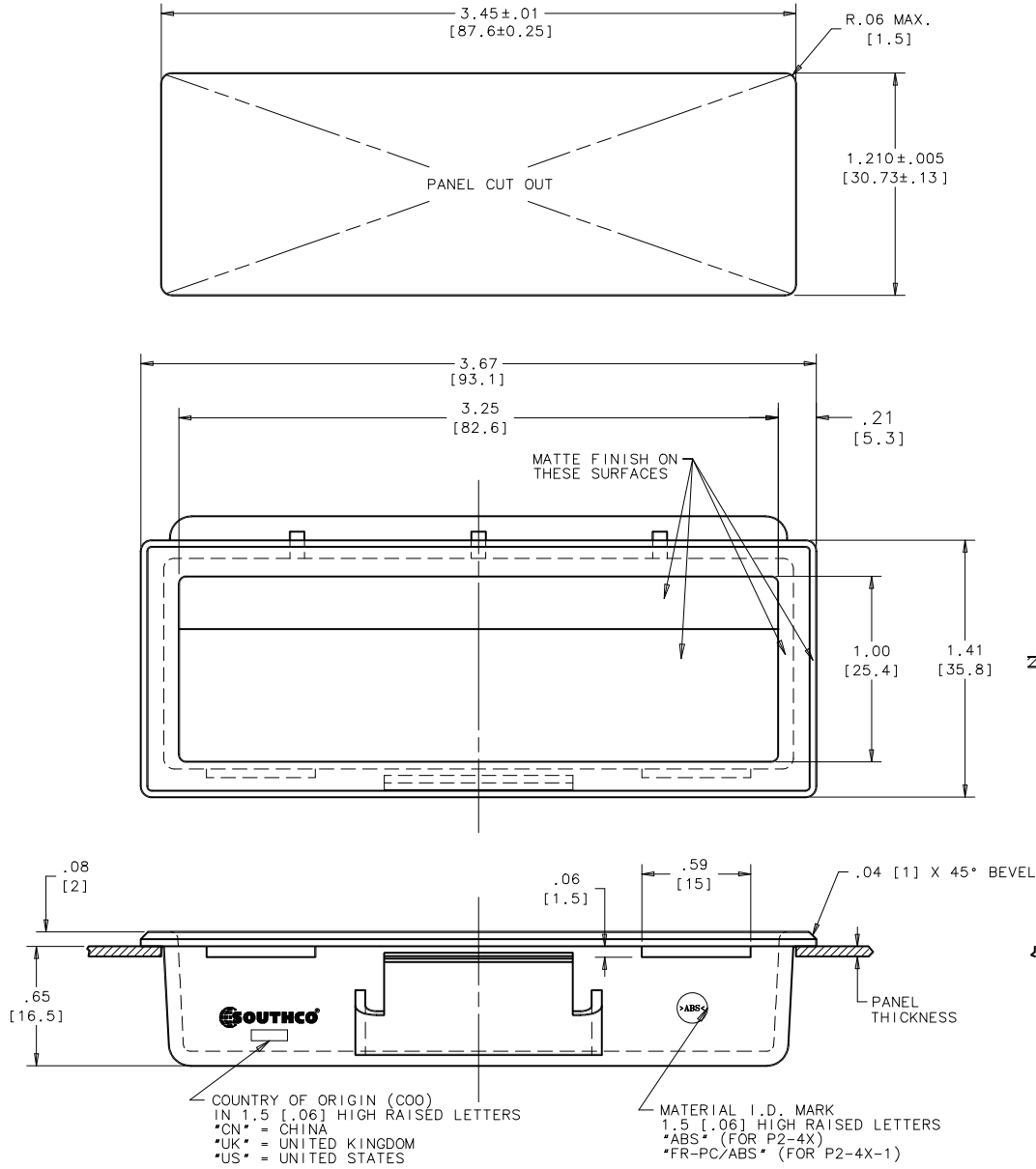
DRAWING NUMBER: J-P2-4

REV.	DATE	DRAWN	REVISION	PART NUMBER	MATERIAL	PART NUMBER	MATERIAL	PANEL THICKNESS
E	31OCT2000	VRZ/JSS	PRN: P2-84	P2-41	ABS., UL94-HB	P2-41-1	PC/ABS, UL94-V0	.040
F	01MAY2013	CMS/DGJ	PRN: P2013-0947	P2-42	ABS., UL94-HB	P2-42-1	PC/ABS, UL94-V0	.055
G	28MAY2013	CMS/JJS	PRN: P2013-1141	P2-43	ABS., UL94-HB	P2-43-1	PC/ABS, UL94-V0	.070
H	06NOV2013	CMS/JJK	PRN: P2013-2199	P2-44	ABS., UL94-HB	P2-44-1	PC/ABS, UL94-V0	.085
I	27FEB2014	CMS/BGL	PRN: P2014-0410					.100



A3 PAPER SIZE

ALL DIMENSIONS WITHOUT TOLERANCES ARE FOR REFERENCE ONLY.



NOTES:

- A- COLOR, LOW GLOSS BLACK.
- B- PULL IS SHIPPED BULK.
- C- FOR PULL TO BE PACKAGED ONE PER BAG, ADD SUFFIX "-P" TO THE PART NUMBER.

