

southco

PROPRIETARY ITEM - EXCEPT FOR USES EXPRESSLY GRANTED IN WRITING INFORMATION DISCLOSED HEREON IS CONFIDENTIAL AND ALL RIGHTS PATENT AND OTHERWISE ARE RESERVED BY SOUTHCO, INC.

NO. N7 CAPTIVE NUT ASSEMBLY
PRESS-IN STYLE, M6 OR 1/4-20 THREAD SIZE

DATE	DRAWN	CHKD	SCALE	DRAWING NUMBER
03MAR95	JSS	DAZ	2:1	J-N7-42

REV	DATE	DRAWN/CHKD	DESCRIPTION	PART NUMBER	THREAD SIZE	KNOB FIMISH	KNOB STYLE	DIMENSION "L"	
A	03JUL95	DAZ	PRN: N7-03	N7-42-10	M6	NATURAL	THRU HOLE	16	MILLIMETERS
B	12JUL95	JGK	PRN: N7-04A	N7-42-50	M6	BLACK	THRU HOLE	16	
C	01AUG2005	CSC/MDY	PRN: P2005-0747	N7-42-11	M6	NATURAL	BLIND HOLE	22.7	
D	06APR2006	RLR/MDY	PRN: P2006-0493	N7-42-51	M6	BLACK	BLIND HOLE	22.7	
E	16FEB2012	CMS/TVA	PRN: P2011-1252	N7-92-10	1/4-20	NATURAL	THRU HOLE	16	
				N7-92-50	1/4-20	BLACK	THRU HOLE	16	ALL DIMENSIONS WITHOUT TOLERANCES ARE FOR REFERENCE ONLY.
				N7-92-11	1/4-20	NATURAL	BLIND HOLE	22.7	
				N7-92-51	1/4-20	BLACK	BLIND HOLE	22.7	

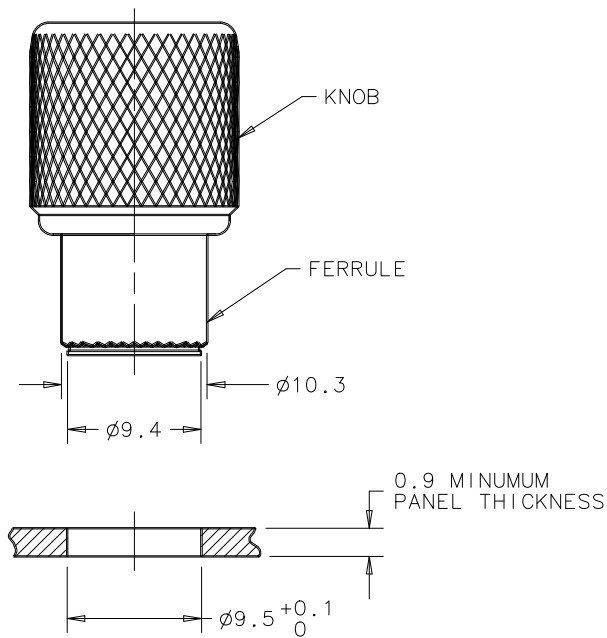
THIRD ANGLE PROJECTION
A4 PAPER SIZE

INSTALLATION INSTRUCTIONS:

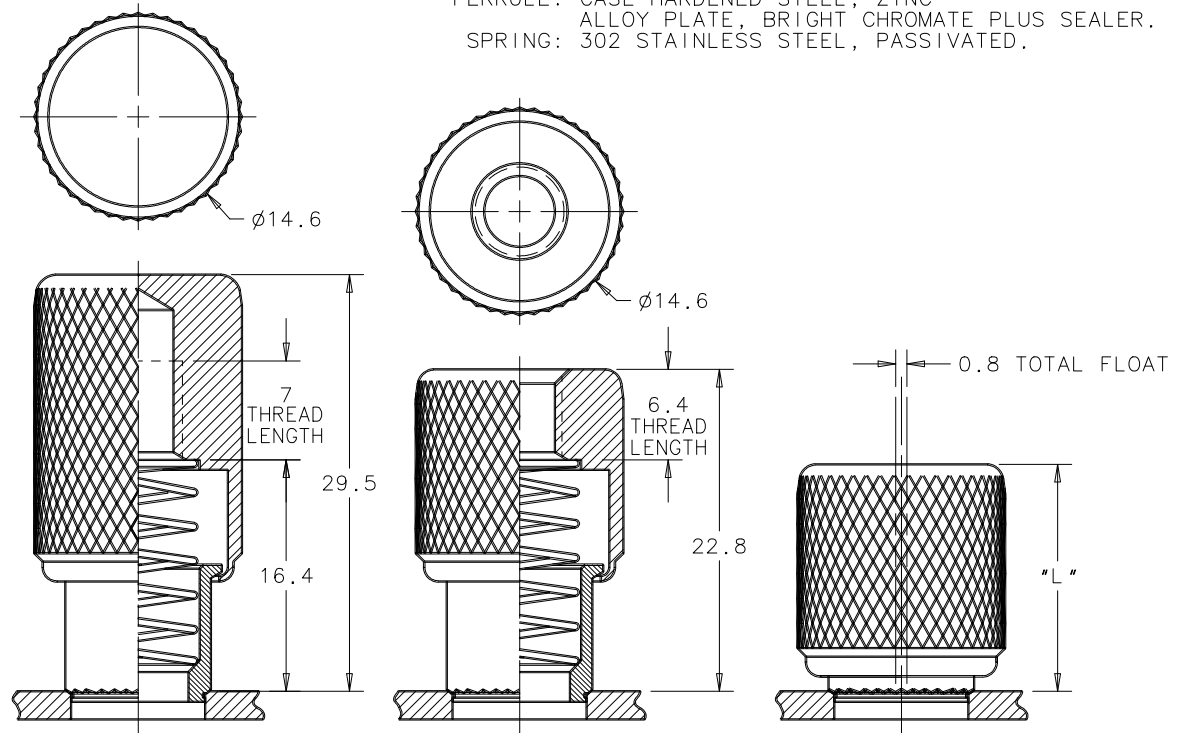
1. PREPARE HOLE IN PANEL AS SHOWN.
2. PROVIDE A SOLID BACK-UP SURFACE BEHIND THE PANEL.
3. PRESS THE ASSEMBLY INTO THE PANEL UNTIL ONLY THE TOP OF THE KNURL ON THE FERRULE IS VISIBLE.

MATERIAL AND FINISH:

KNOB: ALUMINUM, NATURAL OR BLACK ENAMEL ORGANIC COATING.
FERRULE: CASE HARDENED STEEL, ZINC ALLOY PLATE, BRIGHT CHROMATE PLUS SEALER.
SPRING: 302 STAINLESS STEEL, PASSIVATED.



PANEL PREPARATION



BLIND HOLE VIEW

UNFASTENED

THRU HOLE VIEW

FASTENED