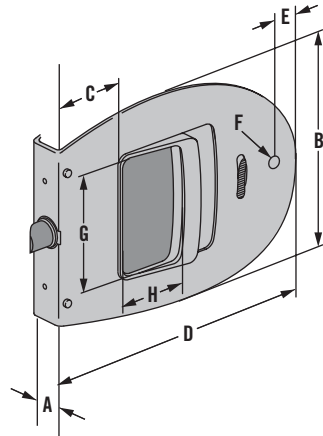
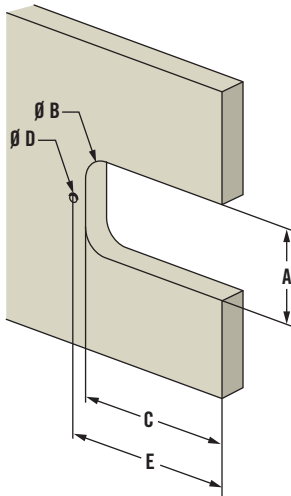


MR Omni Cabin & Cockpit Door Lock

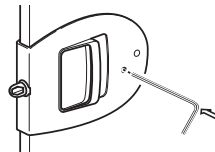


| | Imperial | | Metric |
|---|-----------------|---------|--------|
| | Nominal | Decimal | |
| A | Panel Thickness | | |
| B | 6 7/16 | 6.42 | 163 |
| C | 1 9/64 | 1.14 | 29 |
| D | 4 9/16 | 4.57 | 116 |
| E | 3/8 | .37 | 9.5 |
| F | 15/64 | .24 | 6 |
| G | 1 13/16 | 1.81 | 46 |
| H | 1 1/32 | 1.02 | 26 |

Panel Preparation



How to override a locked Omni door lock from the outside



| | | Imperial | | Metric |
|---|------|----------|---------|--------|
| | | Nominal | Decimal | |
| A | min. | 2 3/16 | 2.19 | 55.6 |
| | max. | 2 1/4 | 2.27 | 57.9 |
| B | min. | 1/4 | .25 | 6.4 |
| | max. | 9/16 | .56 | 14 |
| C | min. | 3 13/16 | 3.813 | 96.8 |
| | max. | 3 7/8 | 3.875 | 98.4 |
| D | | 1/4 | .25 | 6.4 |
| E | | 4 3/16 | 4.19 | 106.3 |

| Omni Part Numbers | | | | | | |
|----------------------|--------------|--------------|--------------|--------------|--------------|--------------|
| Door thickness (A) | Spring bolt | | Flat | | 2 step | |
| | Privacy | No privacy | Privacy | No privacy | Privacy | No privacy |
| 12.7 mm (1/2) | MR-01-120-24 | MR-01-100-24 | MR-02-120-24 | MR-02-100-24 | MR-03-120-24 | MR-03-100-24 |
| 16 mm (5/8) | MR-01-121-24 | MR-01-101-24 | MR-02-121-24 | MR-02-101-24 | MR-03-121-24 | MR-03-101-24 |
| 19 mm (3/4) | MR-01-122-24 | MR-01-102-24 | MR-02-122-24 | MR-02-102-24 | MR-03-122-24 | MR-03-102-24 |
| Features | | | | | | |
| Privacy | X | | X | - | X | - |
| Adjust Spring Bolt | X | X | - | - | X | X |
| Bumpers (both sides) | X | X | X | X | X | X |
| Left and Right swing | X | X | X | X | X | X |

Options

| Striker Part Number | |
|---------------------|--------------|
| Omni Flat | MR-90-100-10 |

| Doorkeeper Part Numbers | | |
|-------------------------|--------------|--------------|
| Type | White | Black |
| 1 | MR-91-101-70 | MR-91-101-50 |
| 2 | MR-91-102-70 | MR-91-102-50 |

- All marine-grade materials for corrosion resistance
- Flush outer surface
- Privacy button option
- Optional doorkeeper holds door in open position

Material and Finish

Handle, housing: Acetal, black
Escutcheon: Stainless steel, polished



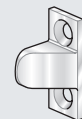
Omni 2-Step



Omni Flat



Omni Spring Bolt



Omni Flat Striker

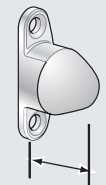
Doorkeepers

Type 1



12 (1/2")

Type 2



18 (11/16")

Other options available. For complete details on variety, part numbers, installation and specification, go to



www.southco.com/MR



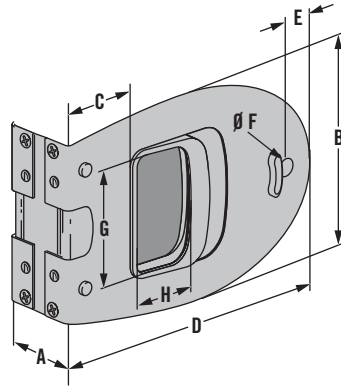
MR Omni Bob Transom Door Latch

- Easily-adjustable springbolts for left- or right-swing are included for fast conversion
- Nylon bumpers reduce vibration and prevent door rattle
- Optional doorkeeper holds door in open position

Material and Finish

Lock engine: Aluminum
 Handles, escutcheons finish: chrome, aluminum and black
 Privacy: Acetal

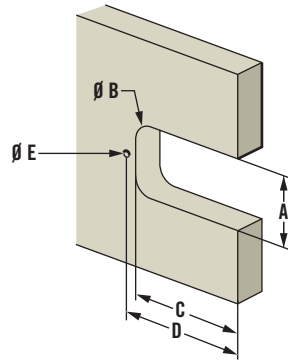
Omni Bob



| | Imperial | | Metric |
|---|-----------------|---------|--------|
| | Nominal | Decimal | |
| A | Panel Thickness | | |
| B | 3 15/16 | 3.90 | 99 |
| C | 1 3/8 | 1.38 | 35 |
| D | 5 5/16 | 5.32 | 135 |
| E | 15/64 | .24 | 6 |
| F | 15/64 | .24 | 6 |
| G | 2 5/32 | 2.17 | 55 |
| H | 1 3/16 | 1.18 | 30 |

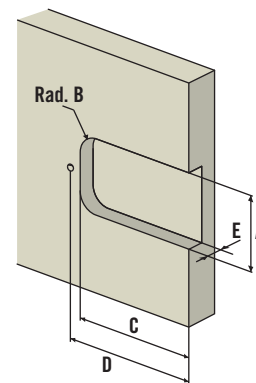
Panel Preparations

Omni Bob



| | Imperial | | Metric |
|---|----------|---------|--------|
| | Nominal | Decimal | |
| A | 2 11/16 | 2.67 | 68 |
| B | 5/8 | .63 | 16 |
| C | 4 11/16 | 4.69 | 119 |
| D | 5 3/64 | 5.04 | 128 |
| E | 15/64 | .24 | 6 |

Omni Bob Single



| | Imperial | | Metric |
|---|----------|---------|--------|
| | Nominal | Decimal | |
| A | 2 11/16 | 2.67 | 68 |
| B | 5/16 | .32 | 8 |
| C | 4 11/16 | 4.69 | 119 |
| D | 5 3/64 | 5.04 | 128 |
| E | 25/32 | .787 | 20 |

Part Number Selection

| Omni Bob Part Numbers | |
|--------------------------------|---------------|
| Door thickness range | |
| 25 - 31 mm (1 - 1-1/4") | MR-04-106-24 |
| 30 - 36 mm (1-3/16 - 1-7/16") | MR-04-107-24 |
| 35 - 41 mm (1-3/8 - 1-5/8") | MR-04-108-24 |
| 40 - 46 mm (1-9/16 - 1-13/16") | MR-04-109-24 |
| 45 - 51 mm (1-3/4 - 2") | MR-04-1010-24 |

| Omni Bob Single Part Numbers | | |
|------------------------------|-------------------|--------------|
| Door thickness range | Door Swing | |
| 25 mm (1") | right out/left in | MR-05-603-24 |
| 25 mm (1") | left out/right in | MR-05-703-24 |

Other options available. For complete details on variety, part numbers, installation and specification, go to



www.southco.com/MR

Dimensions in millimeters (inch) unless otherwise stated

CABIN & COCKPIT ENTRY HARDWARE

MR Omni Pocket Cabin Door Lock

A

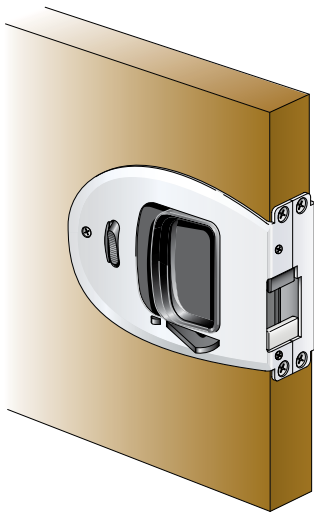


DOOR THICKNESS: 32mm (1-1/4") or 35mm (1-3/8")

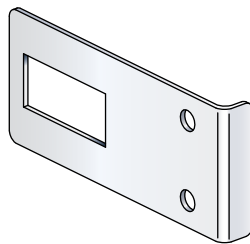
The Omni Pocket sliding-door lock is ideal for interior pocket doors and double-doors. It features an automatic latching mechanism, as well as a door-hold open feature. A hook on the forend side releases the door.

Other features include:

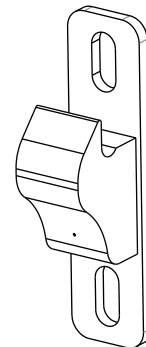
- Interior privacy button with exterior override
- Made of durable, corrosion-resistant stainless steel, ABS plastic, and aluminum
- Each assembly includes one striker and one door holder
- Only 3mm (1/8") protrusion
- Quick installation with a simple door cut-out



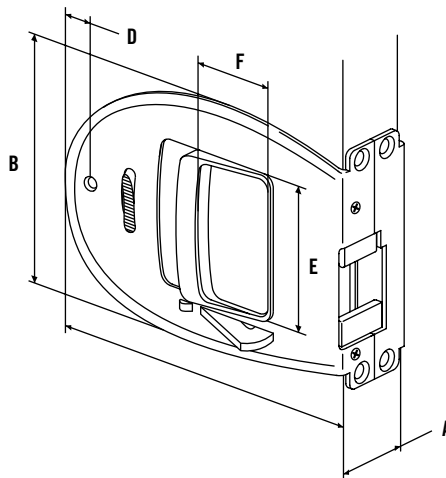
Door holder for Omni Pocket



Striker for Omni Pocket



| | Imperial | | Metric |
|----------|-----------------|---------|--------|
| | Nominal | Decimal | |
| A | Panel thickness | | |
| B | 3 21/32 | 3.661 | 92.5 |
| C | 4 11/16 | 4.685 | 119 |
| D | 3/8 | 0.375 | 9.5 |
| E | 2 5/32 | 2.157 | 55 |
| F | 63/64 | 0.984 | 25 |



| OMNI POCKET PART NUMBERS | | |
|--------------------------|---------------|--------------|
| Panel Thickness | 25mm (1") | MR-06-123-24 |
| | 32mm (1 1/4") | MR-06-124-24 |
| | 35mm (1 3/8") | MR-06-125-24 |

