

REV	DATE	DRAWN/CHKD	DESCRIPTION	COMPONENT	MATERIAL	FINISH
	A	25OCT2005	JWJ/MDY PRN: P2005-1382	HOUSING	GF NYLON	BLACK
B	03JAN2006	DJK/MJS PRN: P2006-0009	FLANGE	DIE CAST ZINC	SEE TABLE	
C	31AUG2006	JWJ/RLR PRN: P2006-1192	KNOB	DIE CAST ZINC	SEE TABLE	
D	30NOV2006	MDY/RLR PRN: P2006-1683	COVER	GF NYLON	BLACK	
E	21FEB2008	JWJ/RLR PRN: P2008-0171	PAWL	DIE CAST ZINC	MATTE CHROME	
F	25NOV2008	JWJ/RLR PRN: P2008-1290	RATCHET	ACETAL	BLACK	
				GUIDE	ACETAL	BLACK
				MOUNTING NUT	GF NYLON	BLACK
				SHAFT		
				KNOB SPRING		
				RATCHET SPRING		
				GUIDE SPRING	STAINLESS STEEL	PASSIVATED
				LOCKWASHER		
				GUIDE HELPER SPRING		
				GASKET	NEOPRENE	BLACK

MP PULL-TO-OPEN LATCH

DRAWING NUMBER	J-MP-05-1
SCALE	1:1
DATE	01MAR2005
KEEPER	*A*
MP-510-16-1	23,932 [I.94±.8]
MP-519-4	26,242 [I.03±.8]
MP-5113	24,442 [I.96±.8]

DRAWING NUMBER	J-MP-05-1
SCALE	1:1
DATE	01MAR2005
KEEPER	*A*
MP-510-16-1	23,932 [I.94±.8]
MP-519-4	26,242 [I.03±.8]
MP-5113	24,442 [I.96±.8]

THIRD ANGLE PROJECTION	A3
APPROX. SIZE	

LATCH OPERATION NOTES:

- TO OPEN, DEPRESS KNOB APPROX. 3MM. KNOB WILL TRANSLATE OUT APPROX. 15MM. PULL KNOB TO OPEN DOOR. PAWL WILL RETRACT.
- SLAM DOOR TO CLOSE. DOOR CAN BE CLOSED WITH KNOB UP OR DOWN.
- DOOR IS LOCKED WHEN KNOB IS IN DEPRESSED POSITION.

NOTES:

A. FOR KEEPER OPTIONS, SEE DRAWINGS
 J-MP-510-16 FOR HOODED KEEPER, J-M1-519-4 FOR L-BEND STAINLESS KEEPER, AND J-MP-5113 FOR ADJUSTABLE KEEPER

ASSEMBLY PART NUMBER
MP-05-WX2-YZ

LATCH STYLE (W)

- OVAL
- SQUARE
- ROUND

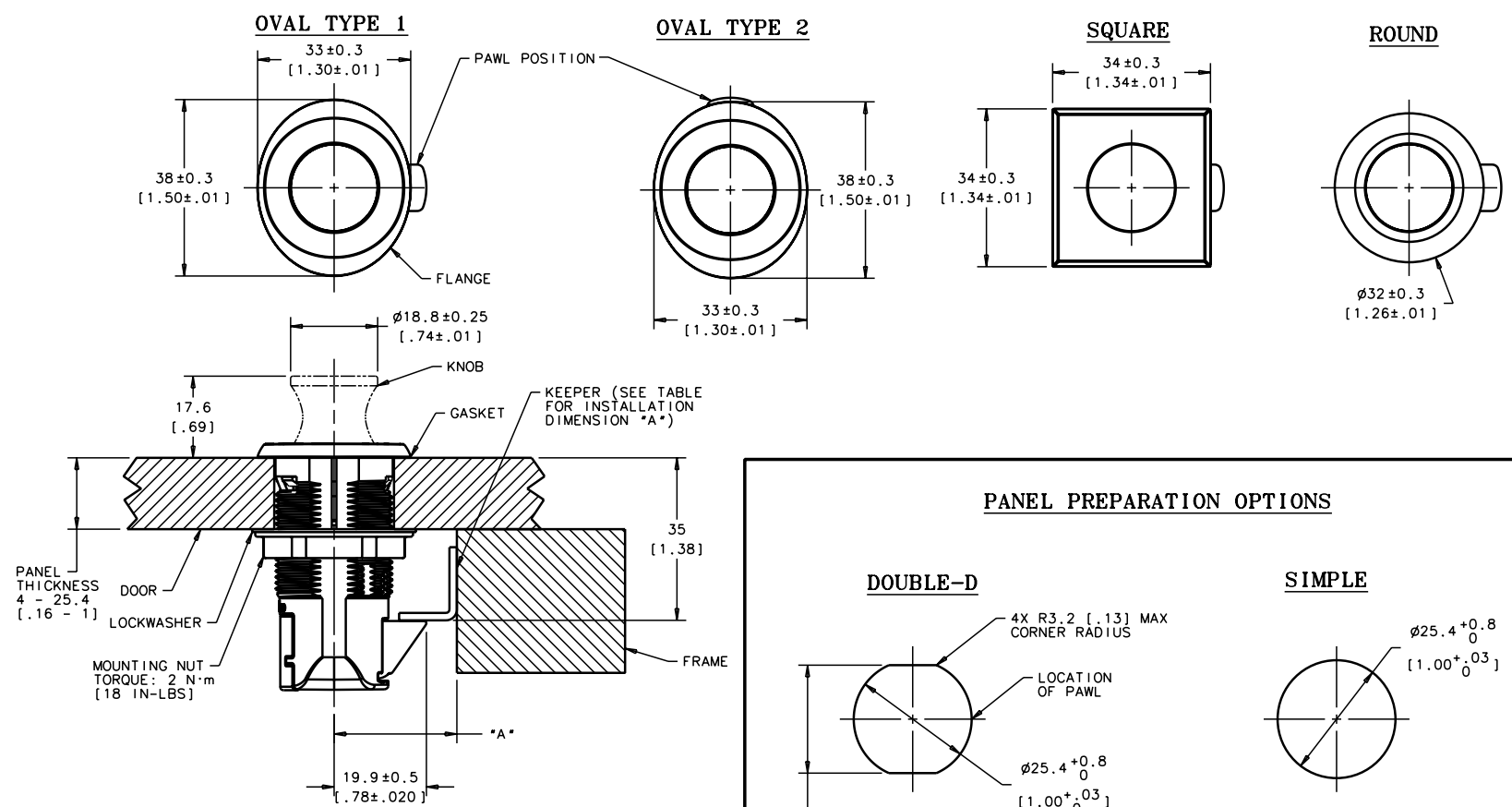
TYPE (X)

- TYPE 1 OR UNIVERSAL (FOR SYMMETRICAL FLANGES)
- TYPE 2

FINISH (FLANGE/KNOB) (Y OR Z)

- POLISHED CHROME
- SATIN CHROME
- BRUSHED NICKEL
- DIAMOND BRASS
- BLACK POWDERCOAT
- SATIN NICKEL
- WHITE POWDERCOAT

MILLIMETERS [INCHES]
 MILLIMETERS [INCHES]



LATCH STYLE TYPE
 FLANGE FINISH
 KNOB FINISH

PANEL PREPARATION OPTIONS

DOUBLE-D

SIMPLE

