

southco		DATE		DRAWING NUMBER	
REV		DATE		J-MM-03	
A		17APR2005		MILLIMETERS	
B		04JAN2006		ALL DIMENSIONS WITHOUT TOLERANCES ARE FOR REFERENCE ONLY.	
C		20MAR2006		A3 PAPER SIZE	
D		19DEC2006		THIRD ANGLE PROJECTION	
DESCRIPTION		DATE		SCALE	
A		RELEASED FOR PRODUCTION		DA HJ	
B		ADDED PAGES FOR FLUSH INSIDE HANDLE VERSION		6 JUN 2004	
C		UPDATED DRW WITH ANTI RATTLE MODULE		STAR SLIDER ASSEMBLY	
D		CHANGED GEOM OF INSIDE HANDLE ASSEMBLY		6 JUN 2004	
PROPRIETARY ITEM - EXCEPT FOR USES EXPRESSLY GRANTED IN WRITING, INFORMATION DISCLOSED HEREON IS CONFIDENTIAL AND ALL RIGHTS, PATENT AND OTHERWISE ARE RESERVED BY SOUTHCO, INC.		DATE		DRAWING NUMBER	

NOTE:

SCREW KIT INCLUDES
- SCREWS
- KEYS

MATCHBOX CAN BE INSTALLED
IN TWO ALTERNATIVE WAYS.
SEE NOTES 1, 2

MAX WALL THICKNESS 5.5mm [0.28 inch]

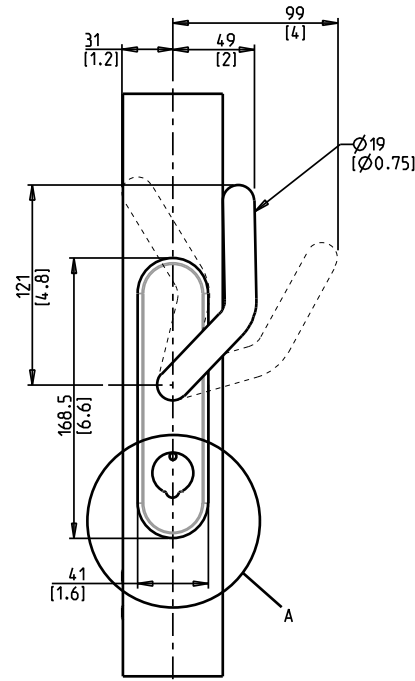
BACKSET (A):
MIN. BACKSET: 22.5mm [0.89 inches]
MAX. BACKSET: 41.0mm [1.61 inches]

FOR PANEL PREPARATION INSTRUCTIONS.
SEE DRAWING NUMBER J-MM-03-3

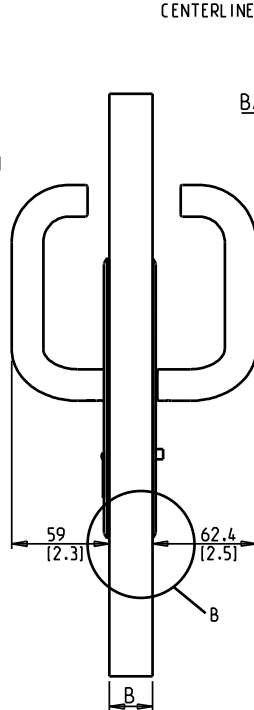
MATERIAL AND FINISH:

OFFSET HANDLE: 316 STAINLESS STEEL, HIGH POLISHED
ESCUTHEON: BRASS, BRIGHT CHROME PLATED
PRIVACY KNOB: BRASS, BRIGHT CHROME PLATED
COVER PLATE, LOCK CASE AND LEVER ARM: 316 STAINLESS STEEL
MOUNTING SCREWS M4 POZIDRIVE: 316 STAINLESS STEEL
SPRINGS: 300 SERIES STAINLESS STEEL
GEARS, DRIVE BAR AND RIVETS: BRASS
WASHERS FOR DRIVE BAR: NYLON, NATURAL
PLASTIC COMPONENTS: ACETAL, BLACK
MATCHBOX HOUSING AND PLUNGER: ALUMINUM, NATURAL ANODIZED
MATCHBOX HOOKS AND STRIKER: BRASS, NICKEL PLATED

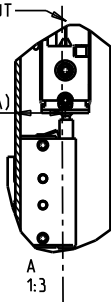
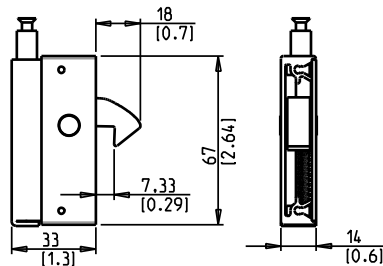
DOOR THICKNESS RANGE (B)	23 - 28.5mm [0.9 - 1.12]	28.5 - 33.5mm [1.12 - 1.32]	33.5 - 38mm [1.32 - 1.5]
STAR SLIDER CHROME, OFFSET HANDLES STANDARD OPTION	MM-03-131-14-10	MM-03-132-14-10	MM-03-133-14-10
STAR SLIDER CHROME, OFFSET HANDLES PROTRUDING HOOK OPTION	MM-03-331-14-10	MM-03-332-14-10	MM-03-333-14-10



MATCHBOX OPTIONS
STANDARD



PROTRUDING HOOK VERSION



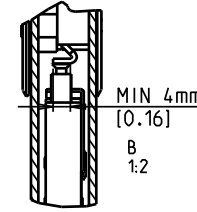
BACKSET (A)

OFFSET HANDLE



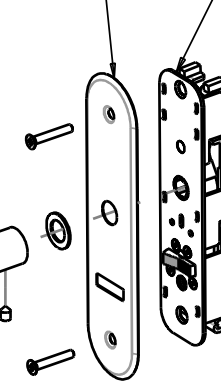
KEYS

MM
[INCHES]
MM [INCHES]



ACTUATOR ASSEMBLY

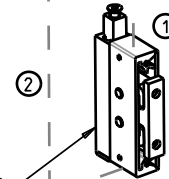
INSIDE ESCUTHEON



OUTSIDE ESCUTHEON



MATCHBOX



AVAILABLE MATCHBOX OPTIONS
SEE LEFT

STRIKER

ACCESSORIES	PART NUMBERS
MOUNTING TOOL STRIKER	MM-90-103-41
TOP STOP	MM-7520
RAMP FOR TOP STOP	MM-90-201-60

southco		DATE		DRAWING NUMBER	
REV		DATE	CHNG	SCALE	CHNG
B		04 JAN 2006	DA	HJ	J-MM-03-2
STAR SLIDER ASSEMBLY					
DATE 02 JAN 2006					
PROPERTY: ITEM - EXCEPT FOR USES REPRESENTED HEREON IS CONFIDENTIAL AND ALL RIGHTS, PATENT AND OTHERWISE ARE RESERVED BY SOUTHCO, INC.					
DRAWING/CHNG					
DESCRIPTION					
A3 PAPER SIZE					
THIRD ANGLE PROJECTION					
ALL DIMENSIONS WITHOUT TOLERANCES ARE FOR REFERENCE ONLY.					
MILLIMETERS					
DRAWING NUMBER					
J-MM-03-2					
MILLIMETERS					
J-MM-03-2					
A3 PAPER SIZE					
THIRD ANGLE PROJECTION					
ALL DIMENSIONS WITHOUT TOLERANCES ARE FOR REFERENCE ONLY.					
MILLIMETERS					
DRAWING NUMBER					
J-MM-03-2					

NOTE:

SCREW KIT INCLUDES
- SCREWS
- KEYS

MATCHBOX CAN BE INSTALLED
IN TWO ALTERNATIVE WAYS.
SEE NOTES 1, 2

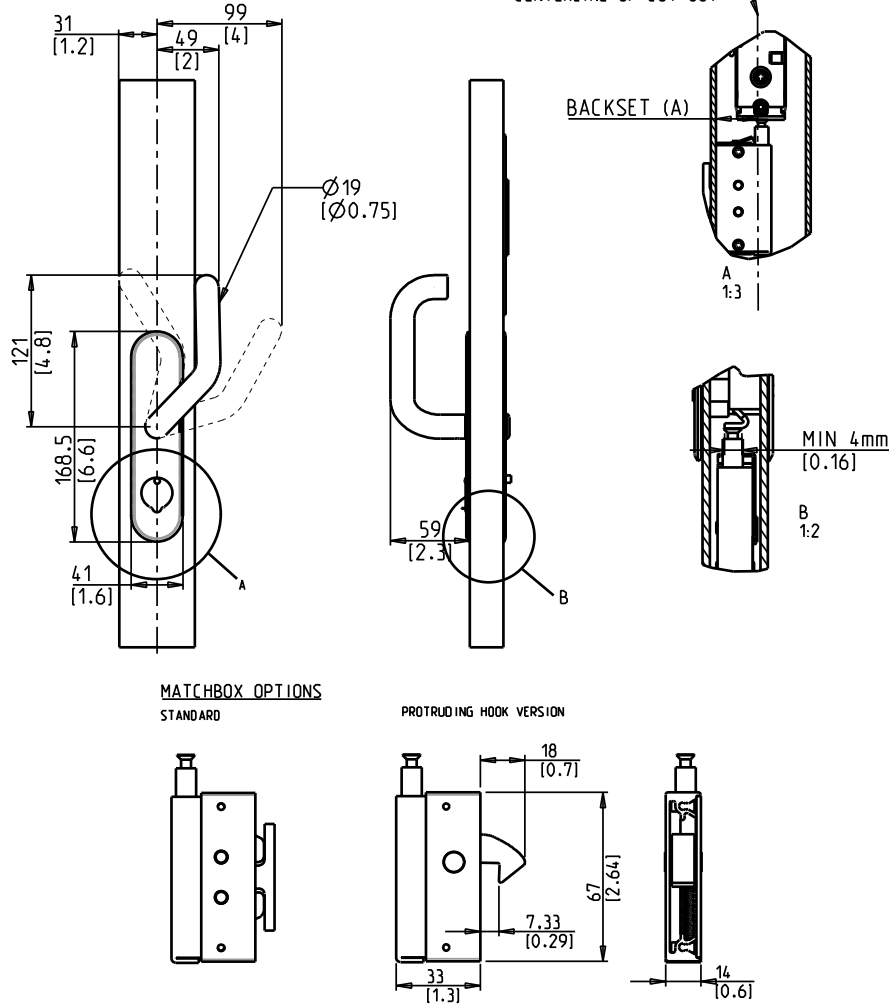
MAX WALL THICKNESS 5.5mm [0.28 inch]

BACKSET (A):
MIN. BACKSET: 22.5mm [0.89 inches]
MAX. BACKSET: 41.0mm [1.61 inches]

FOR PANEL PREPARATION INSTRUCTIONS,
SEE DRAWING NUMBER J-MM-03-4

MATERIAL AND FINISH:

OFFSET HANDLE: 316 STAINLESS STEEL, HIGH POLISHED
INSIDE HANDLE ESCUTCHEON: BRASS, BRIGHT CHROME
INSIDE HANDLE: PA66, BLACK
ESCUTCHEON: BRASS, BRIGHT CHROME PLATED
PRIVACY KNOB: BRASS, BRIGHT CHROME PLATED
COVER PLATE, LOCK CASE AND LEVER ARM: 316 STAINLESS STEEL
MOUNTING SCREWS M4 POZIDRIVE; 316 STAINLESS STEEL
SPRINGS; 300 SERIES STAINLESS STEEL
GEARS, DRIVE BAR AND RIVETS; BRASS
WASHERS FOR DRIVE BAR; NYLON, NATURAL
PLASTIC COMPONENTS: ACETAL, BLACK
MATCHBOX HOUSING AND PLUNGER; ALUMINUM, NATURAL ANODIZED
MATCHBOX HOOKS AND STRIKER; BRASS, NICKEL PLATED

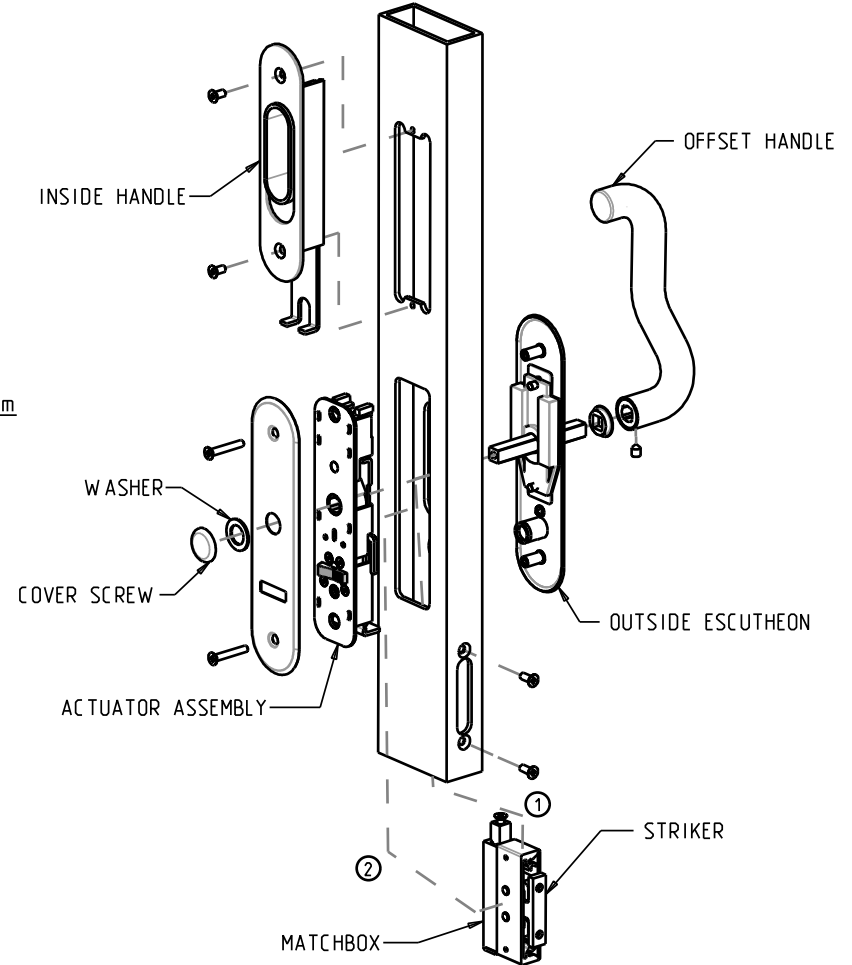


DOOR THICKNESS RANGE (B)	23 - 28.5mm [0.9 - 1.12]	28.5 - 33.5mm [1.12 - 1.32]	33.5 - 38mm [1.32 - 1.5]
STAR SLIDER CHROME, OFFSET HANDLE AND FLUSHED INSIDE HANDLE, STANDARD	MM-03-131-XX-10	MM-03-132-XX-10	MM-03-133-XX-10
STAR SLIDER CHROME, OFFSET HANDLE AND FLUSHED INSIDE HANDLE, PROTRUDING HOOK	MM-03-331-XX-10	MM-03-332-XX-10	MM-03-333-XX-10

XX = 15, FOR PORT CLOSING DOOR
XX = 16, FOR STARBOARD CLOSING DOOR

MM [INCHES]
MM [INCHES]

ACCESSORIES	PART NUMBERS
MOUNTING TOOL STRIKER	MM-90-103-41
TOP STOP	MM-7520
RAMP FOR TOP STOP	MM-90-201-60



southco

PROPRIETARY - EXCEPT FOR USES EXPRESSLY GRANTED IN WRITING, INFORMATION DISCLOSED HEREON IS CONFIDENTIAL AND ALL RIGHTS, PATENT AND OTHERWISE ARE RESERVED BY SOUTHCO, INC.

PANEL PREPARATION FOR STAR SLIDER

DATE: 6 JUN 2004
 DRAWN: HJ
 CHECKED: HJ
 SCALE: HJ

DRAWING NUMBER: J-MM-03-3
 MILLIMETERS

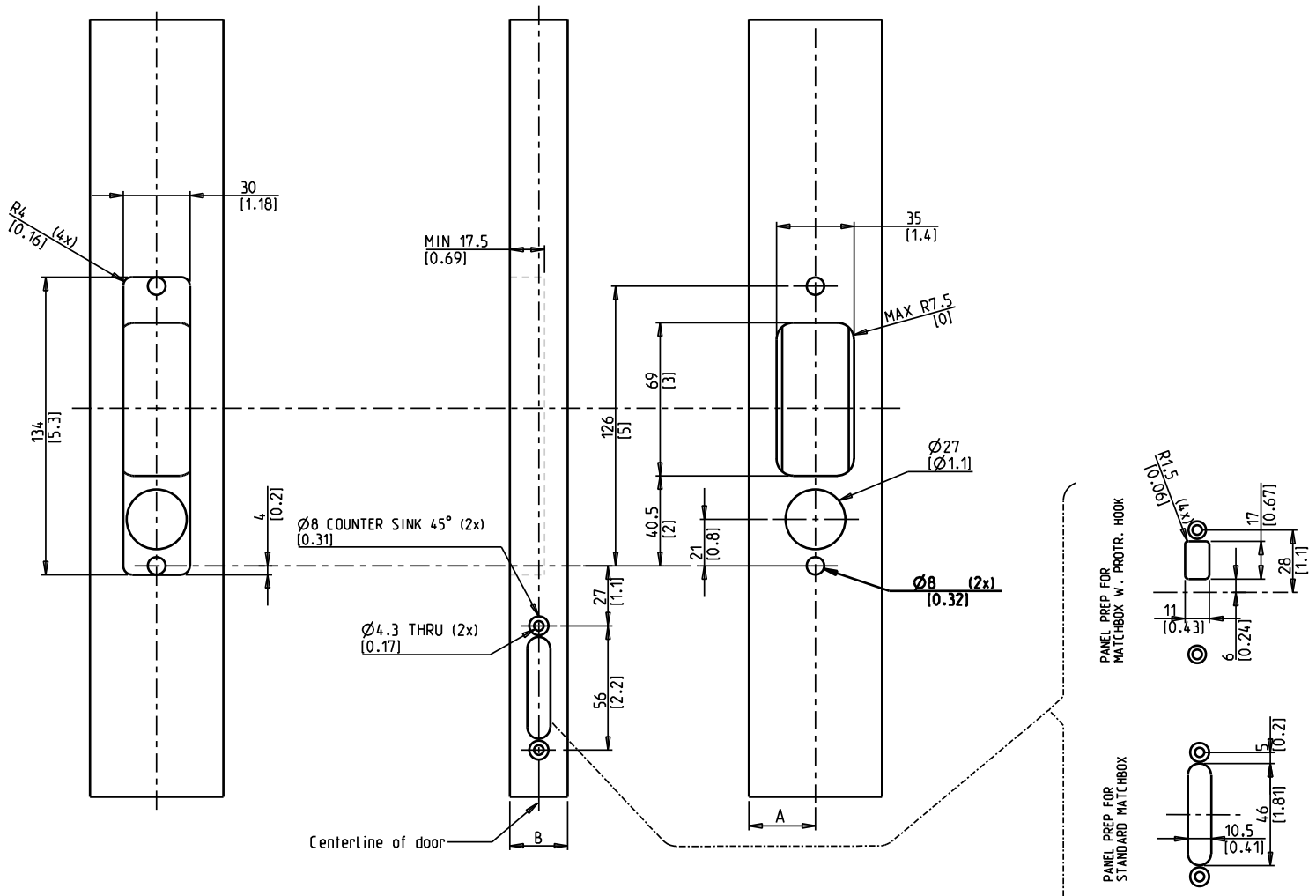
REV	DATE	DRAWN/CHECKED	DESCRIPTION
A	17 APR 2005	DA	RELEASED FOR PRODUCTION
B	04 JAN 2006	DA	ADDED PAGES FOR FLUSH INSIDE HANDLE VERSION
C	20 MAR 2006	DA	UPDATED DRW WITH ANTI RATTLE MODULE
D	19 DEC 2006	DA	CHANGED GEOM. OF INSIDE HANDLE ASSEMBLY

ALL DIMENSIONS WITHOUT TOLERANCES ARE FOR REFERENCE ONLY.

THIRD ANGLE PROJECTION
 A3 PAPER SIZE

MM [INCHES]
 MM [INCHES]

NOTE:
 1. PANEL PREPARATION FOR ASSEMBLIES MM-03-X3X-14-10
 2. MIN DEPTH FOR CUT OUT IS 17.5mm [0.7 inches]



southco

PROPRIETARY ITEM - EXCEPT FOR USES EXPRESSLY GRANTED IN WRITING, INFORMATION DISCLOSED HEREON IS CONFIDENTIAL AND ALL RIGHTS, PATENT AND OTHERWISE ARE RESERVED BY SOUTHCO, INC.

PANEL PREPARATION FOR S. SLIDER FLUSHED INSIDE HANDLE

REV	DATE	DRAWN/CHD	DESCRIPTION
B	04JAN2006	DA	ADDED PAGES FOR FLUSH INSIDE HANDLE VERSION
C	20MAR2006	DA	UPDATED DRW WITH ANTI-RATTLE MODULE
D	19DEC2006	DA	CHANGED GEOC. OF INSIDE HANDLE ASSEMBLY

DATE
02JAN2006

SCALE
DA HJ

DRAWING NUMBER
J-MM-03-4

MILLIMETERS
ALL DIMENSIONS WITHOUT TOLERANCES ARE FOR REFERENCE ONLY.

A3 PAPER SIZE
THIRD ANGLE PROJECTION

MM [INCHES]
MM [INCHES]

NOTE:
1. PANEL PREPARATION FOR ASSEMBLIES MM-03-X3X-15-10 AND MM-03-X3X-16-10
2. MIN DEPTH FOR CUT OUT IS 17.5mm [0.7 inches]

