



MM Talon Sliding Entry Door Latch

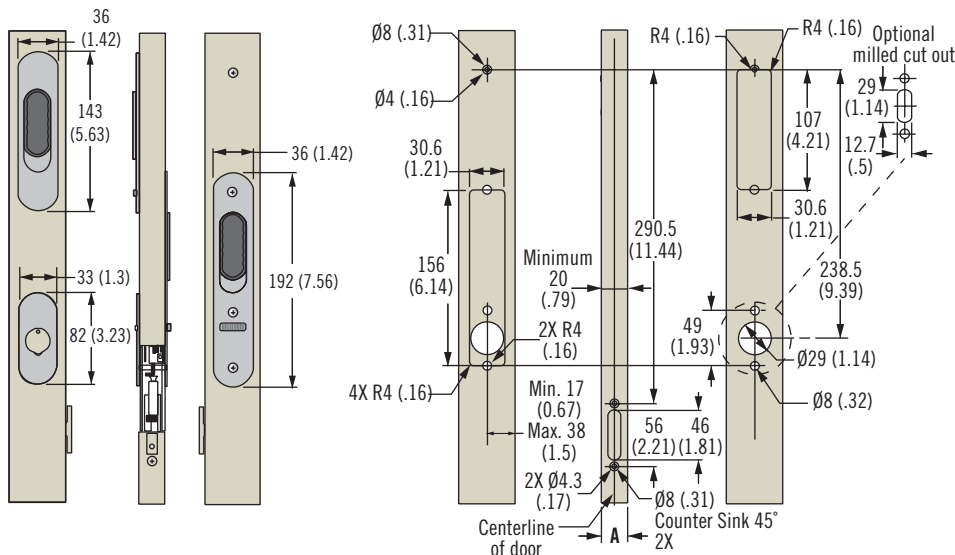
Flush style, star and standard

- New superior Star Key Lock capability provides enhanced, three-axis pin tumbler security
- Top-stop latching feature provides option to secure door in the full open, full closed, or partially open positions, prevents accidental closing even in rough seas
- Attractive flush face design provides sleek look that complements a wide range of boats
- Optional high-seas handle provides sturdy grip for both latch and door operation
- Designed for doors in stainless steel and aluminum extrusions

Material and Finish

Escutcheons, outside plate: Brass, chrome plated and aluminum, black powder coat
 Privacy knob: Brass, chrome plated

Panel Preparation



		Star Part Numbers			
Finish	Style	Door Thickness (A)			
		20.5 (0.81) - 23 (0.91)	23 (0.91) - 28.5 (1.12)	28.5 (1.12) - 33.5 (1.32)	33.5 (1.32) - 38 (1.50)
Chrome	Standard	MM-01-130-10	MM-01-131-10	MM-01-132-10	MM-01-133-10
	Standard Top Stop feature	MM-01-430-10	MM-01-431-10	MM-01-432-10	MM-01-433-10
Black Powder Coated	Standard	MM-01-130-50	MM-01-131-50	MM-01-132-50	MM-01-133-50
	Standard Top Stop feature	MM-01-430-50	MM-01-431-50	MM-01-432-50	MM-01-433-50

		Talon Part Numbers			
Without Key locking* (egress opening from outside)		Door Thickness Range			
		20.5 (.81) - 23 (.91)	22.5 (.87) - 27 (1.06)	27 (1.06) - 34.5 (1.38)	28.5 (1.13) - 38 (1.5)
Anodized aluminum		MM-01-100-60	MM-01-101-60	MM-01-102-60	MM-01-103-60
Powder coated black aluminum		MM-01-100-50	MM-01-101-50	MM-01-102-50	MM-01-103-50
Chrome		MM-01-100-10	MM-01-101-10	MM-01-102-10	MM-01-103-10
Diamond brass		MM-01-100-40	MM-01-101-40	MM-01-102-40	MM-01-103-40
Key locking					
Anodized aluminum		MM-01-110-60	MM-01-111-60	MM-01-112-60	MM-01-113-60
Powder coated black aluminum		MM-01-110-50	MM-01-111-50	MM-01-112-50	MM-01-113-50
Chrome		MM-01-110-10	MM-01-111-10	MM-01-112-10	MM-01-113-10
Diamond brass		MM-01-110-40	MM-01-111-40	MM-01-112-40	MM-01-113-40

Talon Accessories	
Mounting tool for striker	MM-90-103-41
Top Stop	MM-7521
High-seas handles for chrome Talon	MM-7660
High-seas handles for black Talon	MM-7683
Ramp for Top Stop	MM-90-201-60

For top stop installation please refer to website.
 For high seas handle installation please refer to website.

Other options available. For complete details on variety, part numbers, installation and specification, go to



Dimensions in millimeters (inch) unless otherwise stated

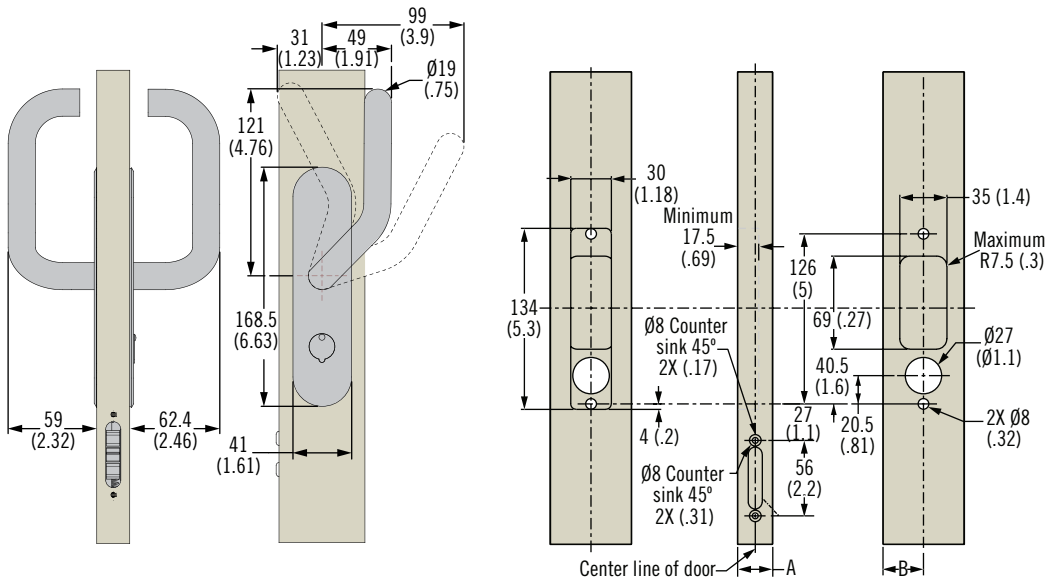


MM Star Slider Entry Door Latch

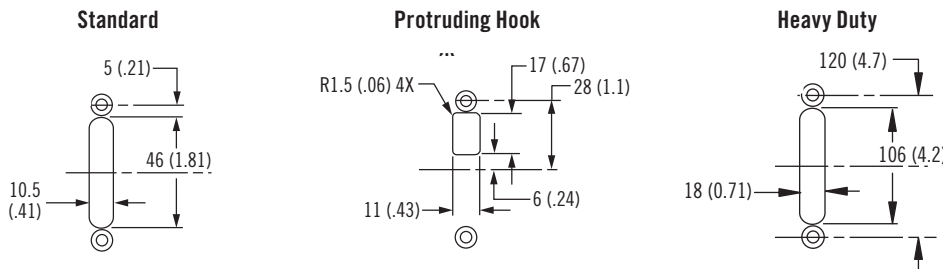
Handle style



Panel Preparation



Latch Module Options



Star Slider Part Numbers			
Latch Module	Door thickness (A)		
	23 (0.93) - 28.5 (1.12)	28.5 (1.12) - 33.5 (1.32)	33.5 (1.32) - 38 (1.50)
Standard	MM-03-131-14-10	MM-03-132-14-10	MM-03-133-14-10
Protruding hook	MM-03-331-14-10	MM-03-332-14-10	MM-03-333-14-10
Standard top stop feature	MM-03-431-14-10	MM-03-432-14-10	MM-03-433-14-10
Heavy Duty	MM-03-531-14-10	MM-03-532-14-10	MM-03-533-14-10
Protruding hook, top stop feature	MM-03-631-14-10	MM-03-632-14-10	MM-03-633-14-10

Star Slider Accessories	
Mounting tool for striker	MM-90-103-41
Top Stop	MM-7521
Ramp for top stop	MM-90-201-60

- Superior Star Key Lock™ capability provides enhanced three-axis pin tumbler security
- A one-piece pivot actuation latch with integrated lock mechanism provides reliable performance and a smooth, ergonomic feel in use
- Pivot handle on both sides
- Top-stop latching feature provides option to secure door in the full open, full closed, or partially open positions, prevents accidental closing even in rough seas
- Designed for doors in stainless steel and aluminium extrusions

Material and Finish

Handle: Stainless steel, highly polished
 Eschutcheon, privacy knob: Brass, chrome plated



MM Star Slider Entry Door Latch

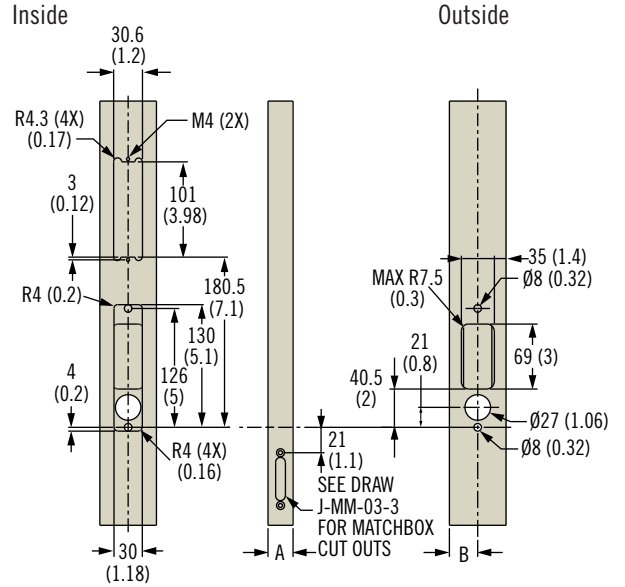
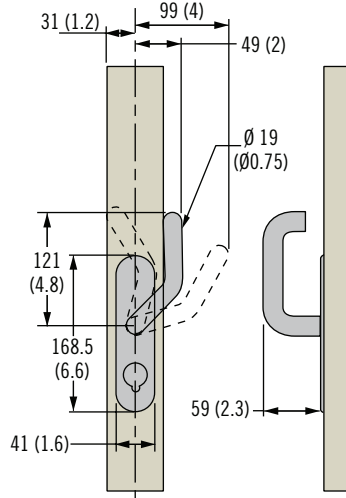
Flush inside style

- Superior Star Key Lock™ capability provides enhanced three-axis pin tumbler security
- A one-piece pivot actuation latch with integrated lock mechanism provides reliable performance and a smooth, ergonomic feel in use
- Flush version with pivot handle on the outside and flush handle on the inside
- Top-stop latching feature provides option to secure door in the full open, full closed, or partially open positions, prevents accidental closing even in rough seas
- Designed for doors in stainless steel and aluminium extrusions

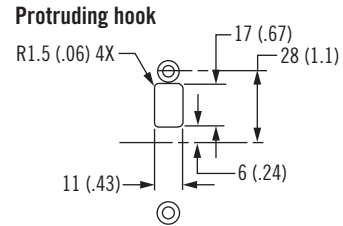
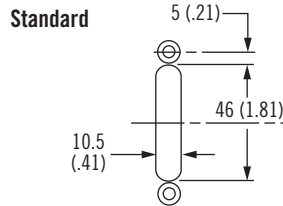
Material and Finish

Escutcheons, outside plate: Brass, chrome plated
 Privacy knob: Brass, chrome plated

Panel Preparation



Latch Module Options



Slider Part Numbers - Flush inside version			
Latch Module Locking Mechanism	Door Thickness (A)		
	23 (.9) - 28.5 (1.12)	28.5 (1.12) - 33.5 (1.32)	33.5 (1.32) - 38 (1.50)
Standard. Star Slider chrome. Offset handle and flushed inside handle.	MM-03-131-XX-10	MM-03-132-XX-10	MM-03-133-XX-10
Star Slider chrome. Offset handle and flushed inside handle. Protruding hook.	MM-03-331-XX-10	MM-03-332-XX-10	MM-03-333-XX-10

XX = 15 for port closing door
 XX = 16 for starboard closing door

Star Slider Accessories	
Mounting tool for striker	MM-90-103-41
Top Stop	MM-7521
Ramp for top stop	MM-90-201-60

Other options available. For complete details on variety, part numbers, installation and specification, go to



Dimensions in millimeters (inch) unless otherwise stated

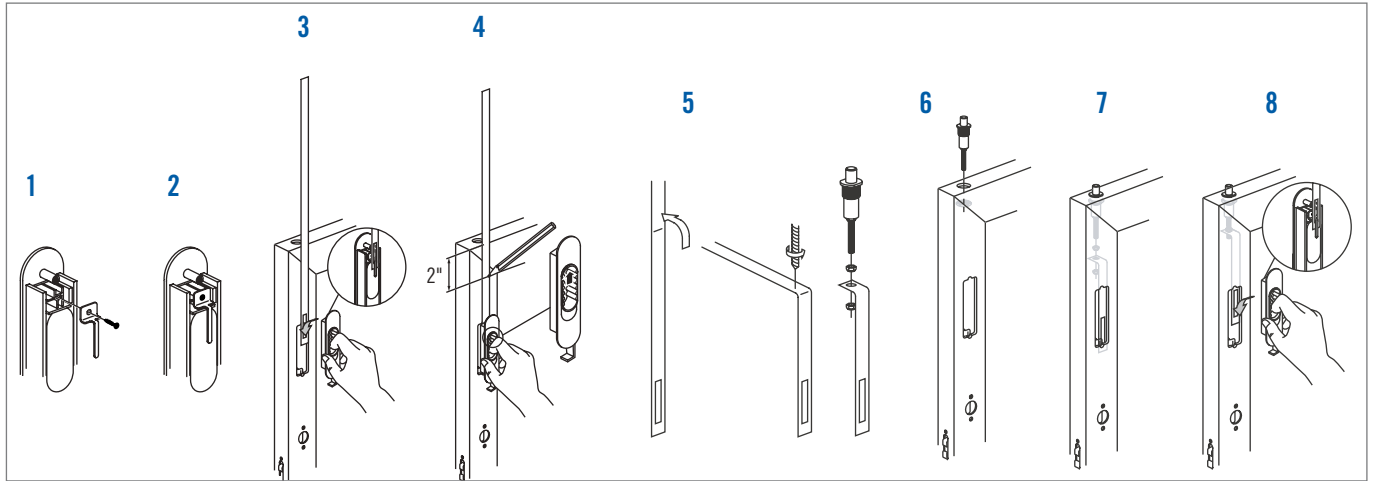


CABIN & COCKPIT ENTRY HARDWARE

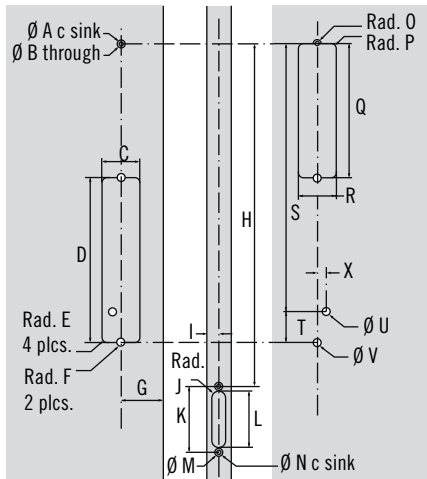
MM Talon Entry Door Lock without Key Lock

A

Top Stop Installation

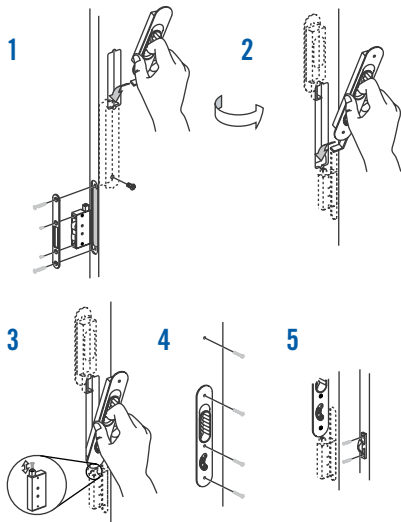


Panel Preparation

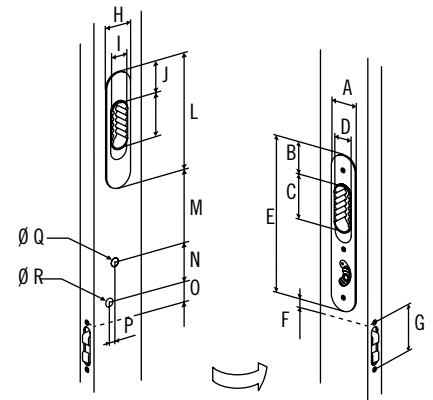


U = (Option for egress opening)

Without Key-lock Installation



	Imperial		Metric
	Nominal	Decimal	
A	5/16	.311	7.9
B	5/32	.156	4
C	1 3/16	1.187	30.2
D	6 5/32	6.142	156
E	5/32	.156	4
F	5/32	.156	4
G	min. 53/64	.827	21
	max. 1 33/64	1.516	38.5
H	11 7/16	11.437	290.5
I	min. 11/32	.354	9
	max. 19/32	.591	15
J	7/32	.211	5.5
K	2 7/32	2.205	56
L	min. 1 3/4	1.77	45
	max. 1 13/16	1.81	46
M	5/32	.156	4
N	5/16	.311	7.9
O	5/32	.156	4
P	5/32	.156	4
Q	4 7/32	4.213	107
R	1 3/16	1.187	30.2
S	9 25/64	9.39	238.5
T	31/32	.965	24.5
U	1/4	.25	6.35
V	1/4	.25	6.35
X	9/32	.276	7



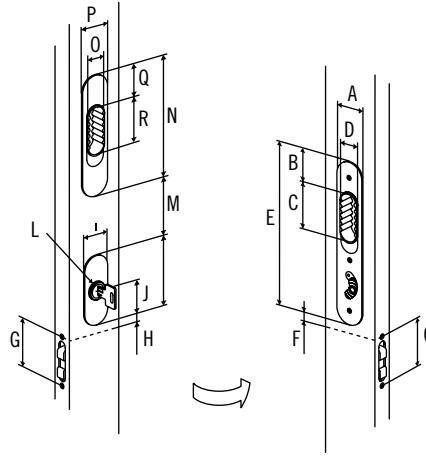
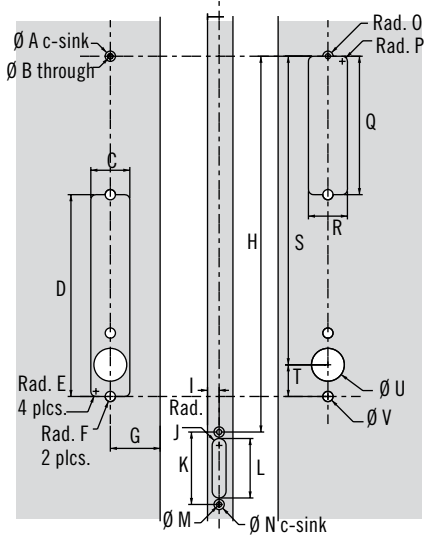
	Imperial		Metric
	Nominal	Decimal	
A	1 13/32	1.41	36
B	1 1/2	1.49	38
C	2 3/16	2.18	55.5
D	3/4	.75	19
E	7 9/16	7.56	192
F	3/8	.374	9.5
G	2 7/32	2.224	56.5
H	1 13/32	1.41	36
I	3/4	.75	19
J	1 1/2	1.49	38
K	2 3/16	2.18	55.5
L	5 5/8	5.63	143
M	3 7/16	3.445	87.5
N	15/16	.945	24
O	1 1/32	1.024	26
P	9/32	.276	7
Q	1/4	.250	6.35
R	1/4	.250	6.35



CABIN & COCKPIT ENTRY HARDWARE

MM Talon Entry Door Lock, Key Locking

Panel Preparation



	Imperial		Metric
	Nominal	Decimal	
A	1 13/32	1.41	36
B	1 1/2	1.49	38
C	2 3/16	2.18	55.5
D	3/4	.75	19
E	7 9/16	7.56	192
F	3/8	.374	9.5
G	2 7/32	2.224	56.5
H	3/8	.374	9.5
I	1 19/64	1.299	33
J	1 41/64	1.634	41.5
K	3 7/32	3.228	82
L	7/8	.87	22
M	2 55/64	2.85	72.5
N	5 5/8	5.63	143
O	3/4	.75	19
P	1 13/32	1.41	36
Q	1 1/2	1.49	38
R	2 3/16	2.18	55.5

	Imperial		Metric
	Nominal	Decimal	
A	5/16	.311	7.9
B	5/32	.156	4
C	1 3/16	1.187	30.2
D	6 5/32	6.142	156
E	5/32	.156	4
F	5/32	.156	4
G	min. 53/64	.827	21
G	max. 1 33/64	1.516	38.5
H	11 7/16	11.437	290.5
I	min. 11/32	.354	9
I	max. 19/32	.591	15
J	7/32	.211	5.5
K	2 7/32	2.205	56
L	min. 1 3/4	1.77	45
L	max. 11 3/16	1.81	46
M	5/32	.156	4
N	5/16	.311	7.9
O	5/32	.156	4
P	5/32	.156	4
Q	4 7/32	4.213	107
R	1 3/16	1.187	30.2
S	9 25/64	9.39	238.5
T	31/32	.965	24.5
U	1	1	25.4
V	5/16	.314	8

Key-locking Installation

