

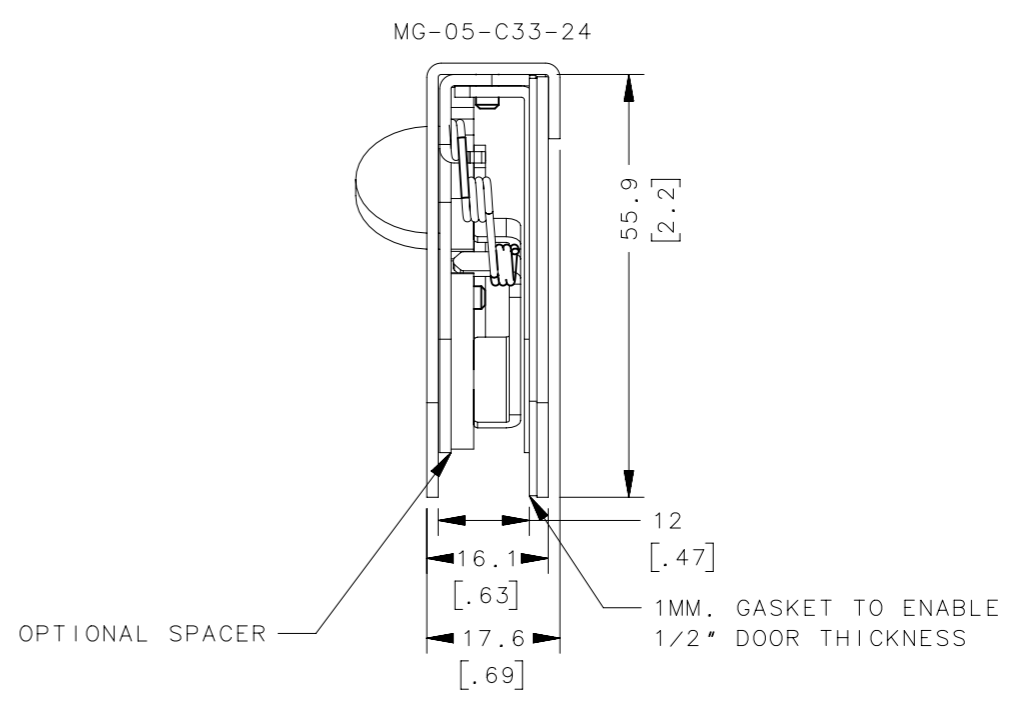
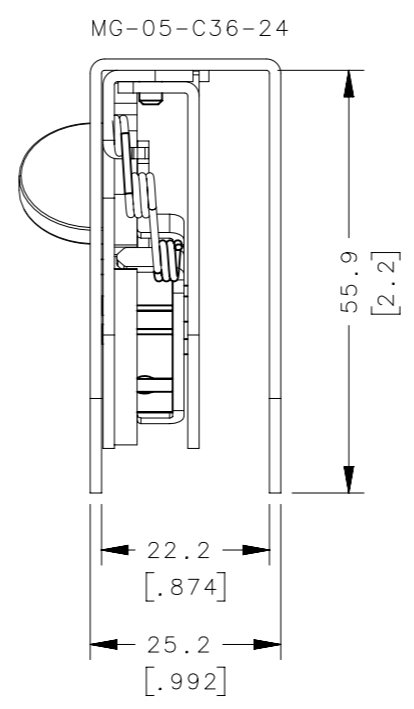
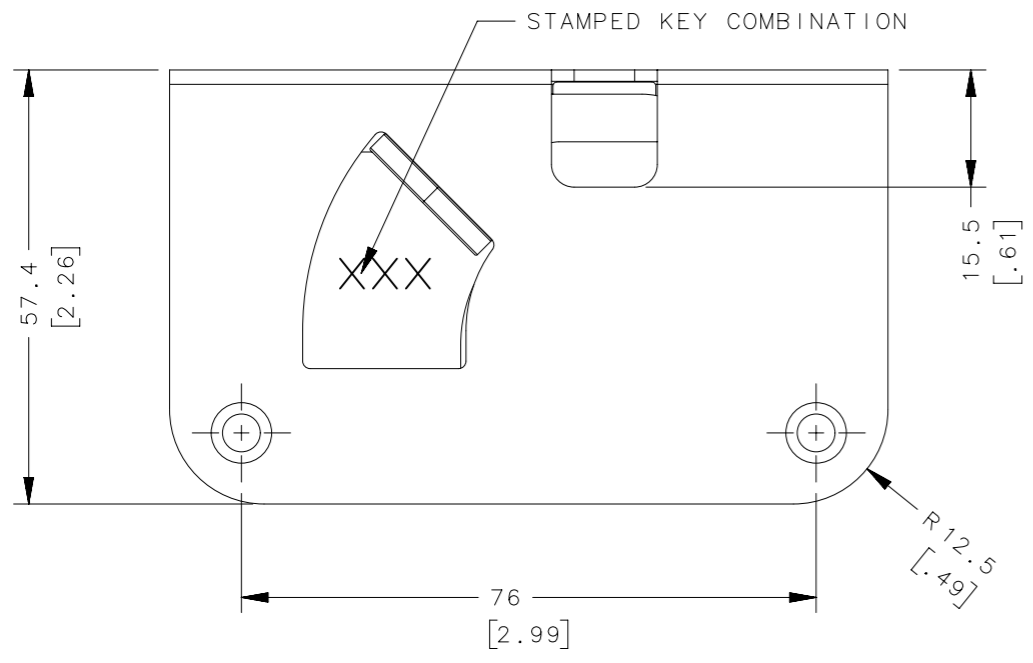
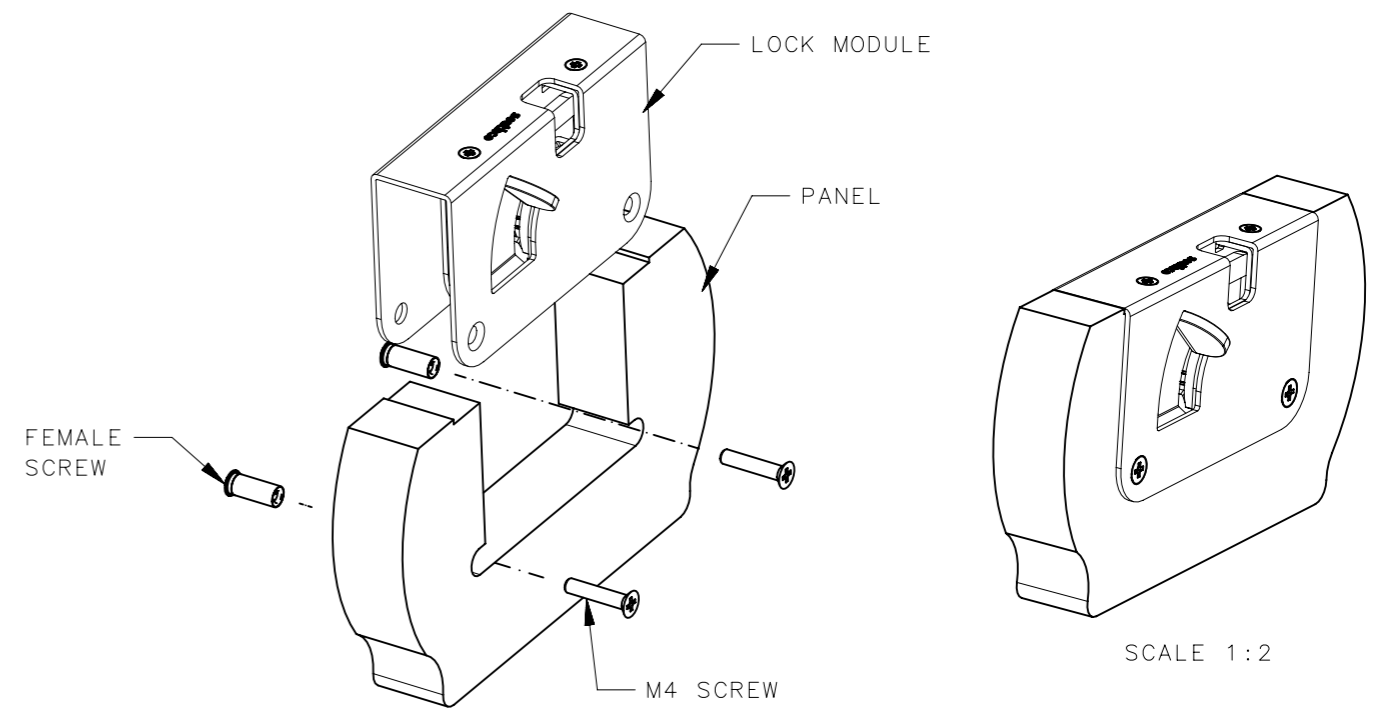
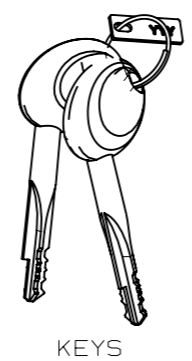
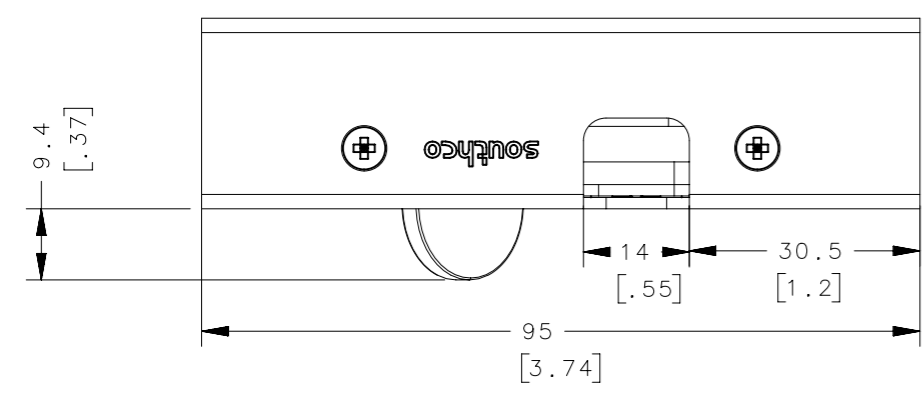
REVISION HISTORY			
REV	DATE	BY	DESCRIPTION
B	08MAY2018	PG/VK	PRN: P2018-1122

PART NUMBER SYSTEM
 MG-05-C3C-FF
 DIRECTION [A]₃
 DOOR THICKNESS [A]₃
 FINISH

DIRECTION [C1]
 7 - VERTICAL UP.

DOOR THICKNESS [C3]
 3 - 12MM. [1/2"]
 6 - 22MM. [1 3/16"]

FINISH FOR ESCUTCHEON
 24 - POLISHED STAINLESS STEEL



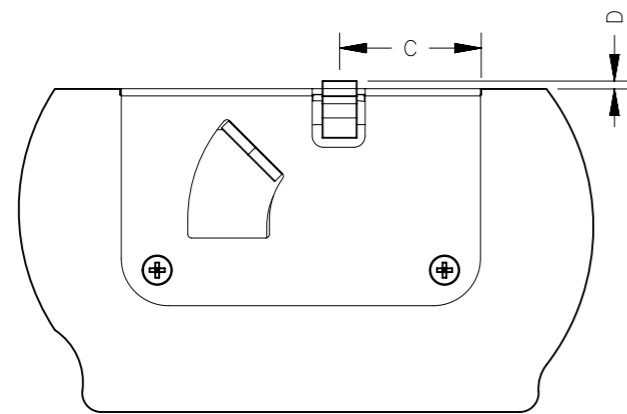
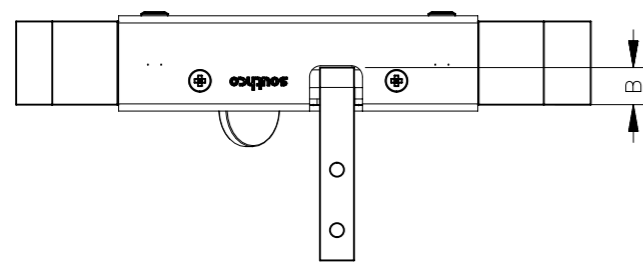
- NOTES
- FOR STRIKER OPTIONS AND STRIKER ALIGNMENT SEE SHEET 2.
 - FOR SPACER OPTIONS SEE SHEET 2.
 - FOR PANEL PREPARATION SEE SHEET 3.
 - MATERIAL AND FINISH LOCK MODULE
 - LOCK CASE: 316 STAINLESS STEEL.
 - INTERNAL COMPONENTS: 316 STAINLESS STEEL.
 - STAR LOCK PLUG: BRASS.
 - SPRING: 316 STAINLESS STEEL.
 - SCREWS: 316 STAINLESS STEEL.
 - GASKET 12MM. VERSION: RUBBER.

THIRD ANGLE PROJECTION				
MILLIMETERS [IN]	DESCRIPTION			STAR SAILOR
TOLERANCES UNLESS OTHERWISE NOTED	SIZE	SYSTEM	DWG NO.	J-MG-05-C3C-FF
ALL DIMENSIONS WITHOUT TOLERANCES ARE FOR REFERENCE ONLY.	A3	NX	DATE	15JAN2009
PROPRIETARY ITEM	PER ASME Y14.5M-1994	DRAWN BY	SCALE	1:1
EXCEPT FOR USES EXPRESSLY GRANTED IN WRITING, INFORMATION DISCLOSED HEREON IS CONFIDENTIAL AND ALL RIGHTS, PATENT AND OTHERWISE, ARE RESERVED BY SOUTHCO, INC.		MF/HJ	SHEET	1 OF 3

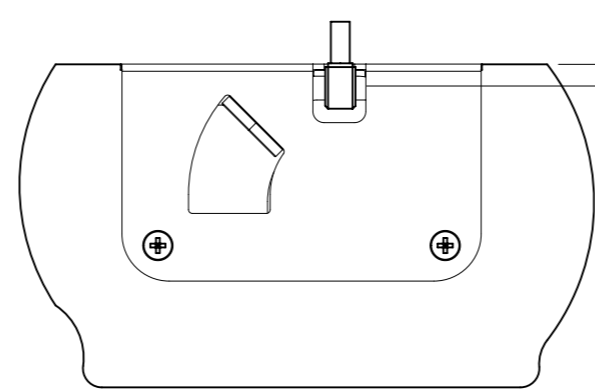
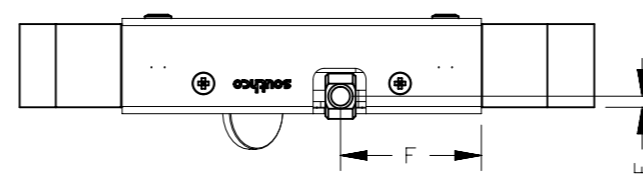
REVISION HISTORY			
REV	DATE	BY	DESCRIPTION
B	08MAY2018	PG/VK	PRN: P2018-1122

STRIKER ALIGNMENT

STRIKER AND P-STRIKER



EYELET STRIKER

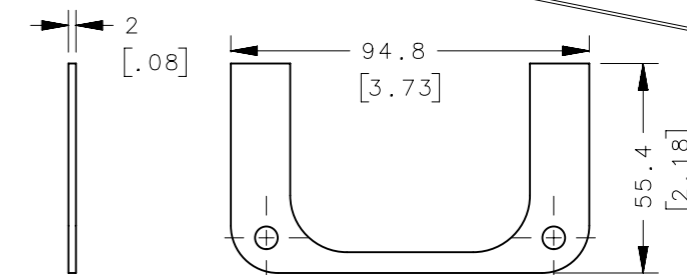
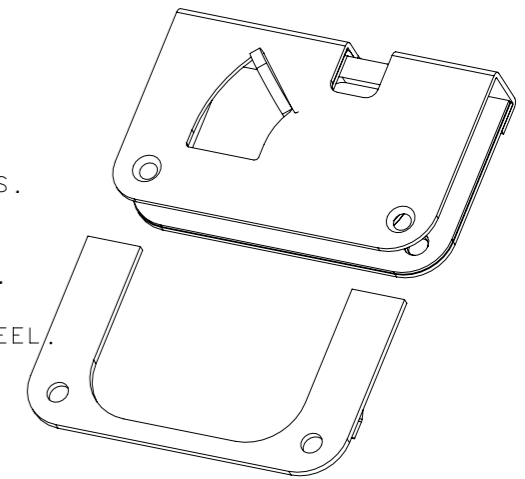


2MM. SPACER
MG-05-115

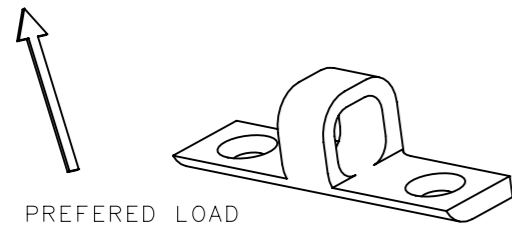
USE WITH MG-05-C33-FF TO
ENABLE 10MM. DOOR THICKNESS.

USE WITH MG-05-C36-FF TO
ENABLE 20MM. DOOR THICKNESS.

MATERIAL: 316 STAINLESS STEEL.



STRIKER

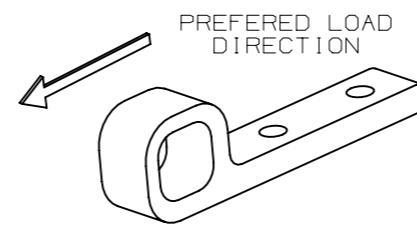


PREFERRED LOAD
DIRECTION

ANODIZED ALUMINIUM: MG-90-102-60
ANODIZED BLACK: MG-90-102-50

B: 8.6±1.3 [0.34±0.05]
C: 37.5±2.5 [1.48±0.09]
D: 2.0±1.2 [0.08±0.04]

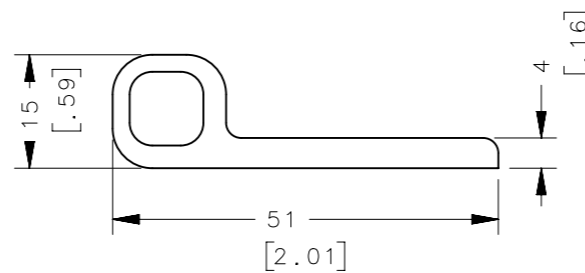
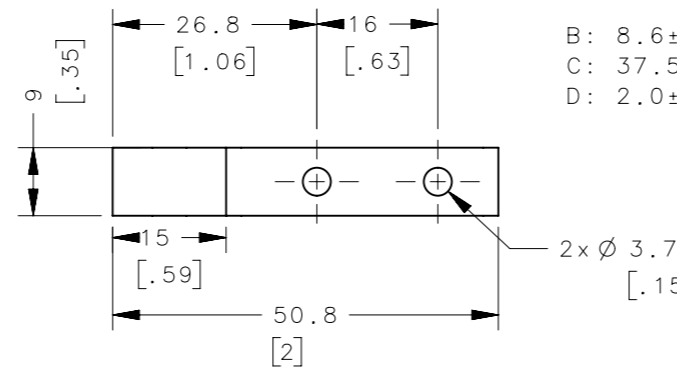
P-STRIKER



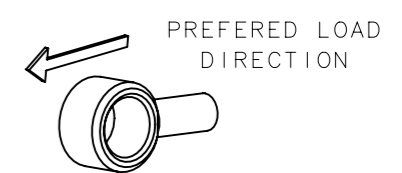
PREFERRED LOAD
DIRECTION

ANODIZED ALUMINIUM: MG-90-105-60
ANODIZED BLACK: MG-90-105-61

B: 8.6±1.3 [0.34±0.05]
C: 37.5±2.5 [1.48±0.07]
D: 2.0±1.2 [0.08±0.04]



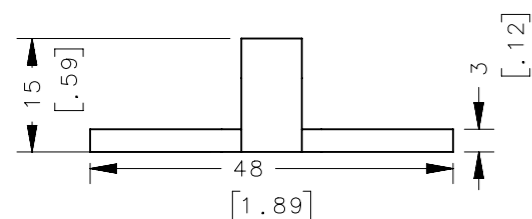
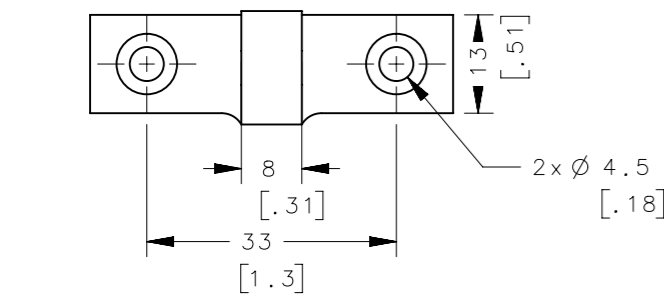
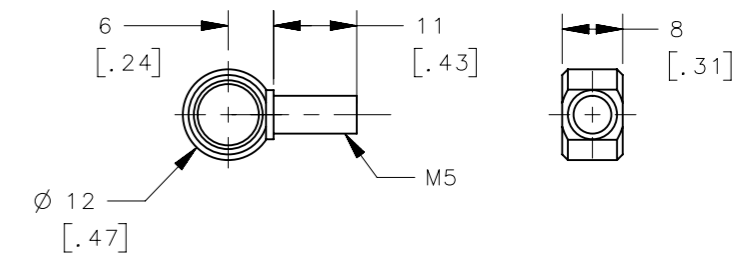
EYELET STRIKER



PREFERRED LOAD
DIRECTION

STAINLESS STEEL: MG-90-103-24

B: 37.5 ±2.5 [1.48 ±0.09]
E: 2.9 ±1 [0.11 ±0.03]
F: 37.5 ±2 [1.48 ±0.07]
G: 5.8 ±0.4 [0.23 ±0.01]

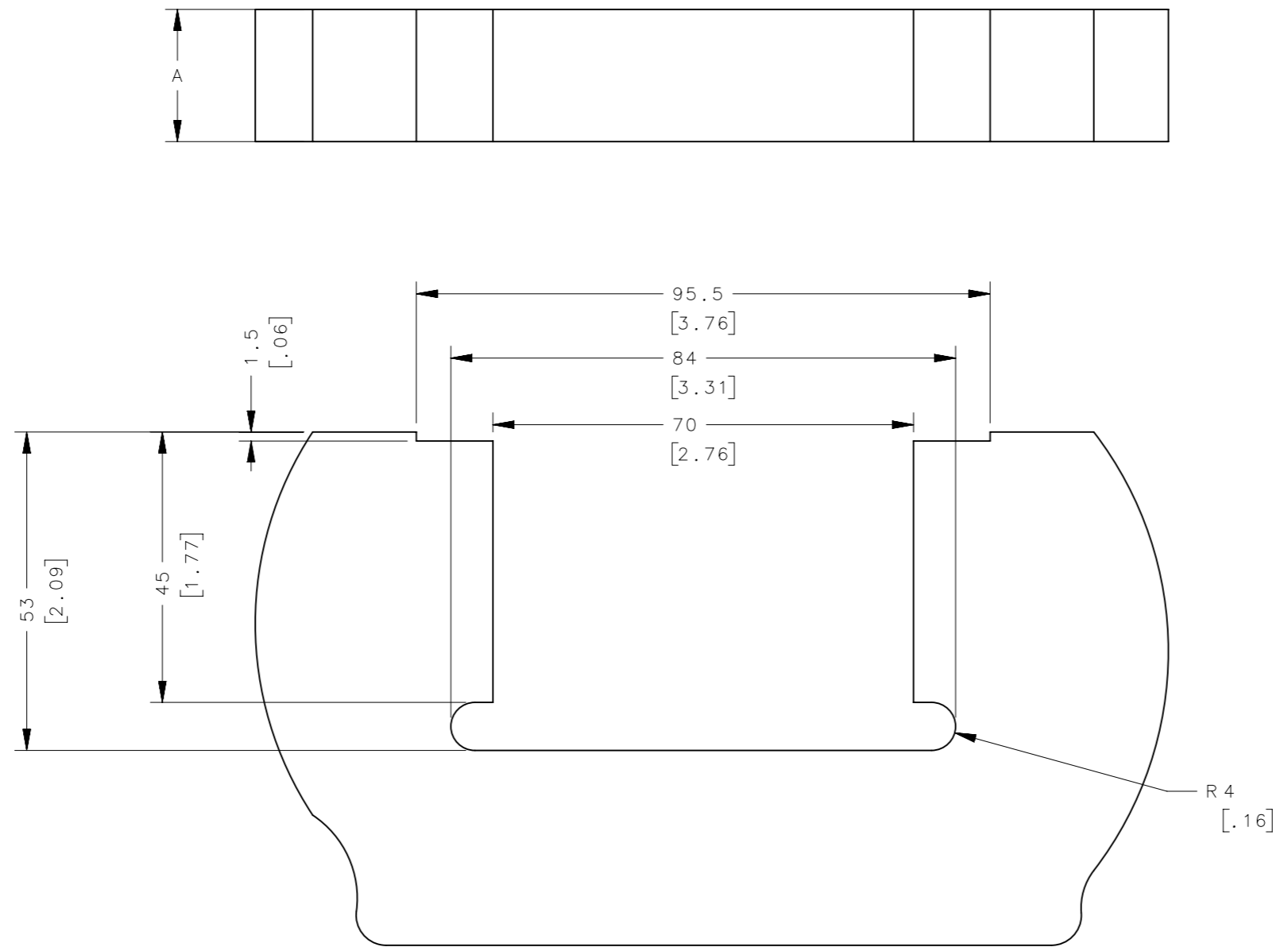


THIRD ANGLE PROJECTION						
TOLERANCES UNLESS OTHERWISE NOTED			DESCRIPTION			
ALL DIMENSIONS WITHOUT TOLERANCES ARE FOR REFERENCE ONLY.			STAR SAILOR STRIKERS AND 2MM. SPACER			
PROPRIETARY ITEM	SIZE	SYSTEM	DWG NO.	J-MG-05-C3C-FF		
EXCEPT FOR USES EXPRESSLY GRANTED IN WRITING, INFORMATION DISCLOSED HEREON IS CONFIDENTIAL AND ALL RIGHTS, PATENT AND OTHERWISE, ARE RESERVED BY SOUTHCO, INC.	A3	NX				
PER ASME Y14.5M-1994	DRAWN BY	DATE	SCALE	SHEET		
	MF/HJ	15JAN2009	1:1	2 OF 3		

REVISION HISTORY			
REV	DATE	BY	DESCRIPTION
B	08MAY2018	PG/VK	PRN: P2018-1122

NOTE:
1. FOR DIMENSION "A" DOOR THICKNESS, SEE SHEET 1.

PANEL PREPERATION



PROPRIETARY ITEM <small>EXCEPT FOR USES EXPRESSLY GRANTED IN WRITING, INFORMATION DISCLOSED HEREON IS CONFIDENTIAL AND ALL RIGHTS, PATENT AND OTHERWISE, ARE RESERVED BY SOUTHCO, INC.</small>	THIRD ANGLE PROJECTION	southco [®] CONNECT • CREATE • INNOVATE		
	MILLIMETERS [IN]			
	TOLERANCES UNLESS OTHERWISE NOTED	STAR SAILOR PANEL PREPERATION		
	ALL DIMENSIONS WITHOUT TOLERANCES ARE FOR REFERENCE ONLY.	SIZE A3	SYSTEM NX	DWG NO. J-MG-05-C3C-FF
PER ASME Y14.5M-1994	DRAWN BY MF/HJ	DATE 15JAN2009	SCALE 1:1	SHEET 3 OF 3