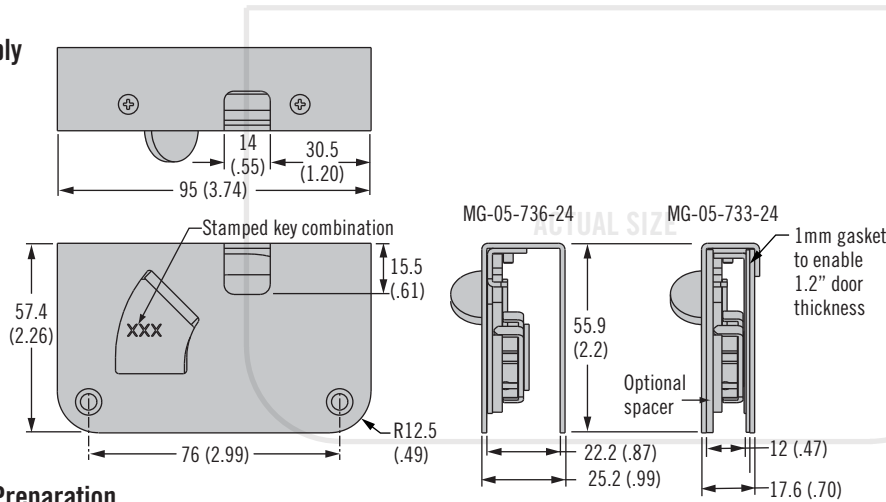


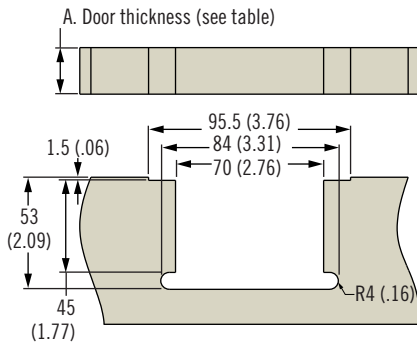
MG Star Sailor Entry Door Lock



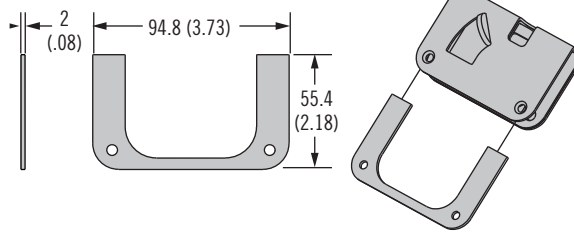
Assembly



Panel Preparation



Optional Spacer (2mm)



- Suitable for 12mm and 22mm entry door thicknesses
- Provide high-end security with the Star Key Lock system's three-axis six-pin tumbler design

Material and Finish

Lock Case: Stainless Steel
 Star Plug: Brass
 Spring: 316 Stainless Steel
 Screws: 316 Stainless Steel

Part Number: MG-05-115

Use with MG-05-733-24 to enable 10mm Door thickness
 Use with MG-05-736-24 to enable 20mm Door thickness

Strikers - Accessories

Day key, black (for secure only)		MF-96-XXX-41
Striker, anodized aluminum		MG-90-102-60
Striker, anodized black		MG-90-102-50
Eyelet striker, stainless steel		MG-90-103-24
Eyelet striker, offcenter, stainless steel		MG-90-104-24
Spacer for 10mm (3/8") door thickness		MG-92-100-50
P-striker, anodized aluminum		MG-90-105-50
P-striker, anodized, black		MG-90-105-61

Assembly

MG - 05 - 73 C - 24

C Door Thickness (A) ←
 3 12mm (.5)
 6 22mm (.86)

Part Number Selection

Notes

Latch and striker are ordered separately. Please see Striker - Accessories table for options



MG Secure Entry Door Lock

- Offered in all corrosion-resistant materials, including Polyamide, Stainless Steel, and Brass
- Outside keylocking with interior sliding privacy lock
- Supplied with striker and two keys

Material and Finish:

Finish: White or black polyamide case

Accessories:

Locking: Optional black day key available.

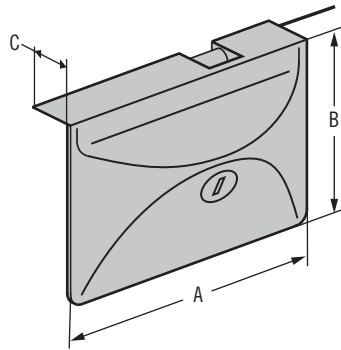
Spacer: Optional spacer available to accept a 10mm (3/8") door thickness.

Striker: Numerous strikers available in clear or black anodized aluminum or stainless steel.

For spare keys please contact Southco

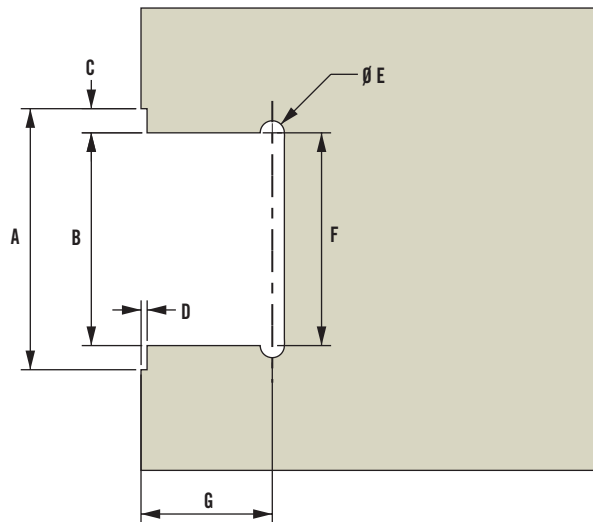
Notes

For additional striker options and accessories please see page 537



	Imperial		Metric
	Nominal	Decimal	
A	3 27/64	3.43	87
B	2 11/64	2.17	55
C	15/32	.47	12

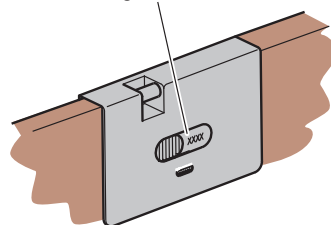
Panel Preparations



	Imperial		Metric
	Nominal	Decimal	
A	3 13/32	3.41	86.5
B	2 25/32	2.78	70.5
C	15/16	.32	8
D	5/64	.08	2
E	5/16	.31	8
F	2 27/32	2.84	72
G	1 23/32	1.71	43.5

How to determine your key combination

Key # for ordering sparekey starting with 8__ or 9__



Secure Part Numbers

	Black	White
With P-striker and two keys	MG-01-110-50	MG-01-110-70

Other options available. For complete details on variety, part numbers, installation and specification, go to



www.southco.com/MG

Dimensions in millimeters (inch) unless otherwise stated

southco
CONNECT · CREATE · INNOVATE