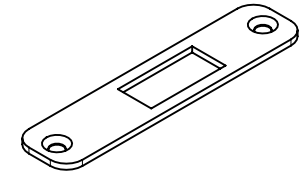
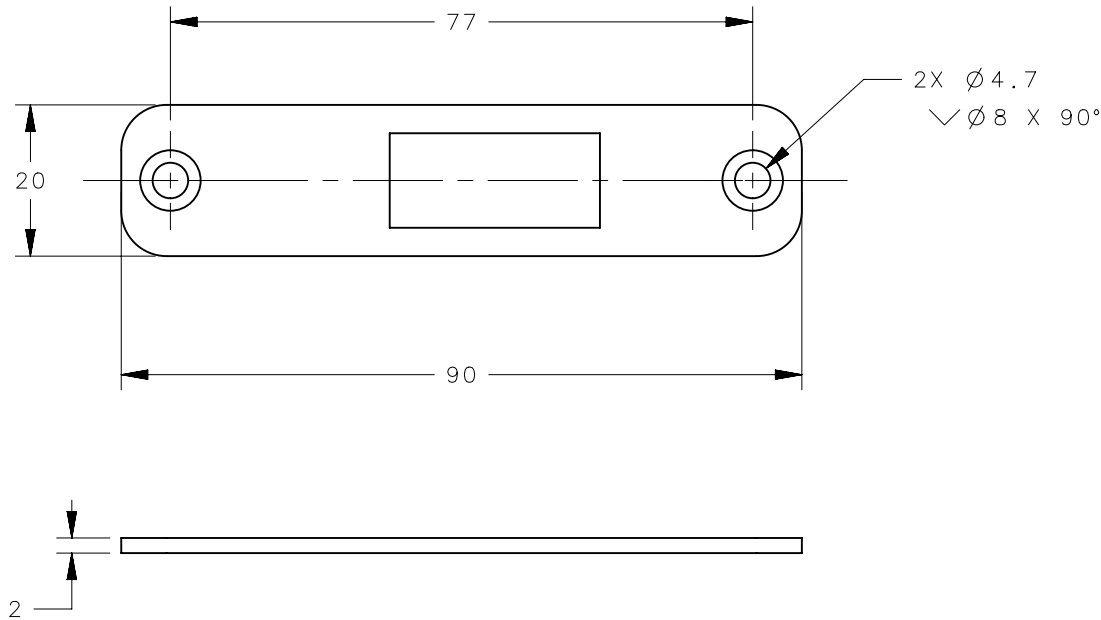


REVISION HISTORY			
REV	DATE	BY	DESCRIPTION
A	09MAR2016	DMS/YGC	PRN: P2016-0523



SCALE 1:2



MG-90-300-24		STRIKER		STAINLESS STEEL		TUMBLLED / POLISH	
PART NUMBER		TYPE OF COMPONENT		MATERIAL		FINISH	
		THIRD ANGLE PROJECTION		 CONNECT • CREATE • INNOVATE			
		MILLIMETERS [IN]					
SURFACE AREA		TOLERANCES UNLESS OTHERWISE NOTED		DESCRIPTION			
VOLUME		ALL DIMENSIONS WITHOUT TOLERANCES ARE FOR REFERENCE ONLY.		STRIKER PLATE - FLAT			
PROPRIETARY ITEM		PER ASME Y14.5M-1994		SIZE	SYSTEM	DWG NO.	
EXCEPT FOR USES EXPRESSLY GRANTED IN WRITING, INFORMATION DISCLOSED HEREON IS CONFIDENTIAL AND ALL RIGHTS, PATENT AND OTHERWISE, ARE RESERVED BY SOUTHCO, INC.				A4	NX	J-MG-90-300-24	
				DRAWN BY	DATE	SCALE	SHEET
				DMS/YGC	09MAR2016	1:1	1 OF 1