

REVISION HISTORY			
REV	DATE	BY	DESCRIPTION
B	30DEC2014	RFA/DTB	PRN: P2014-2645

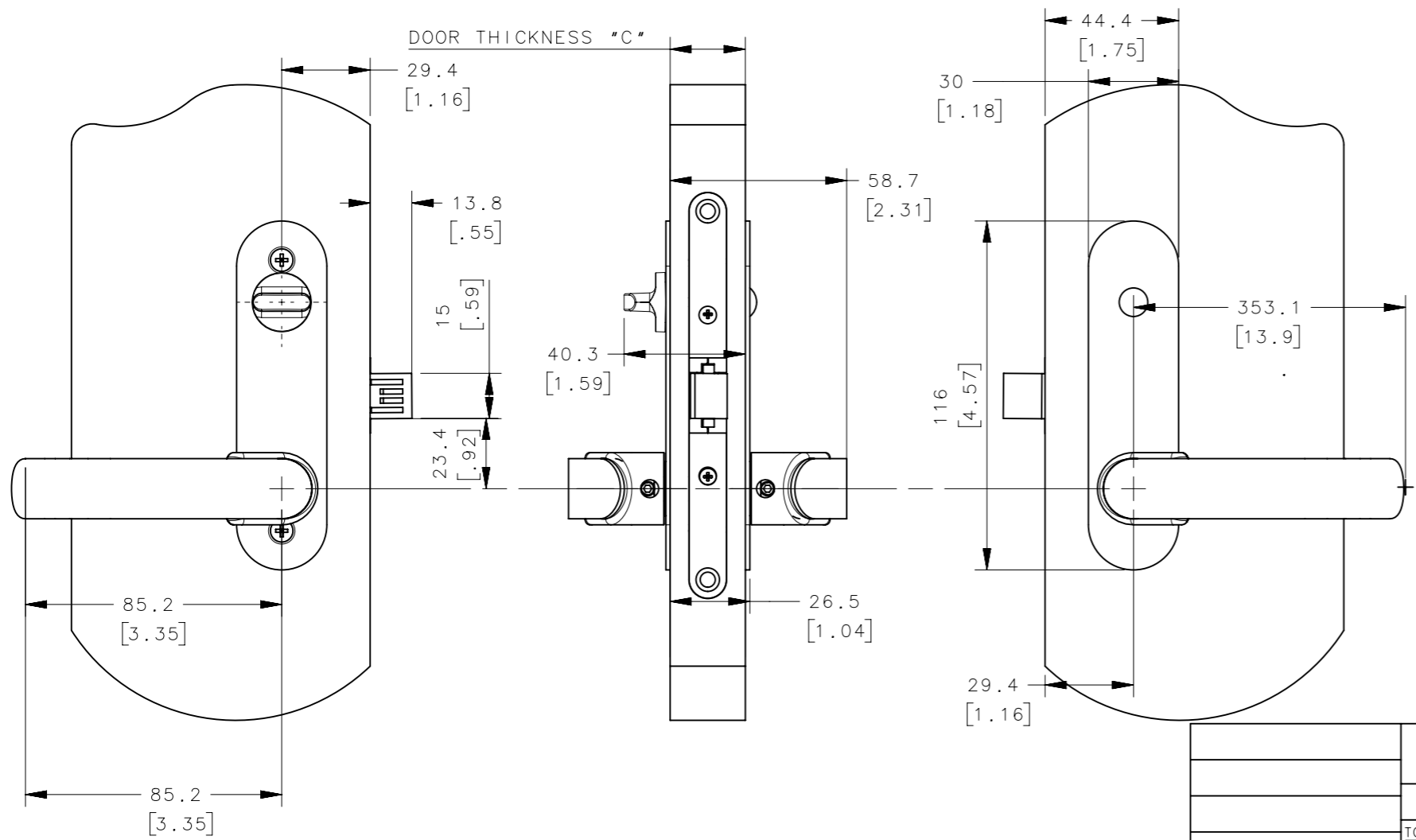
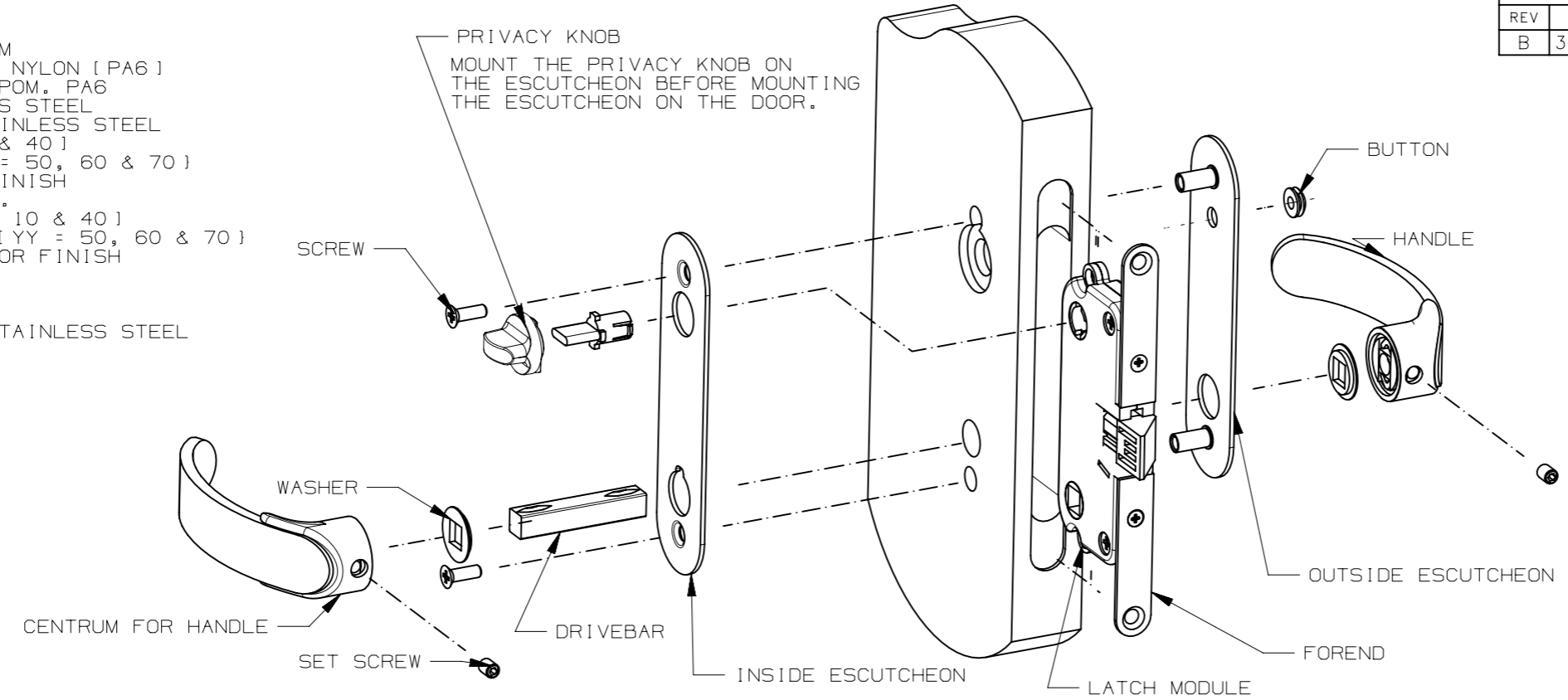
MATERIAL AND FINISH
LATCH MODULE
 - LOCK ENGINE: ALUMINIUM
 - DEAD BOLT: REINFORCED NYLON (PA6)
 - INTERNAL COMPONENTS: POM, PA6
 - SPRINGS: 304 STAINLESS STEEL
SCREWS AND NUTS: 316 STAINLESS STEEL
HANDLES: BRASS (YY = 10 & 40)
 ALUMINIUM: (YY = 50, 60 & 70)
 SEE TABLE FOR FINISH
CENTRUM FOR HANDLES: POM.
ESCUTCHEONS: BRASS (YY = 10 & 40)
 ALUMINIUM: (YY = 50, 60 & 70)
 SEE TABLE FOR FINISH
PRIVACY KNOB: POM.
DRIVEBAR: ALUMINIUM
WASHERS: POM.
SET SCREWS 10/32": 316 STAINLESS STEEL

PART NUMBER SYSTEM
 ME-02-AOC-YY

DIRECTION
 DOOR THICKNESS
 FINISH

DIRECTION (A)	FINISH FOR HANDLES AND ESCUTCHEONS (YY)
2 - RIGHT OUT	10 - CHROME
3 - RIGHT IN	40 - DIAMOND BRASS
4 - LEFT OUT	50 - BLACK
5 - LEFT IN	60 - ALUMINIUM
	70 - WHITE

DOOR THICKNESS	
4 - 18-22mm	[11/16" - 7/8"]
5 - 22-27mm	[7/8" - 1 1/16"]
6 - 27-32mm	[1 1/16" - 1 1/4"]
7 - 32-37mm	[1 1/4" - 1 1/2"]



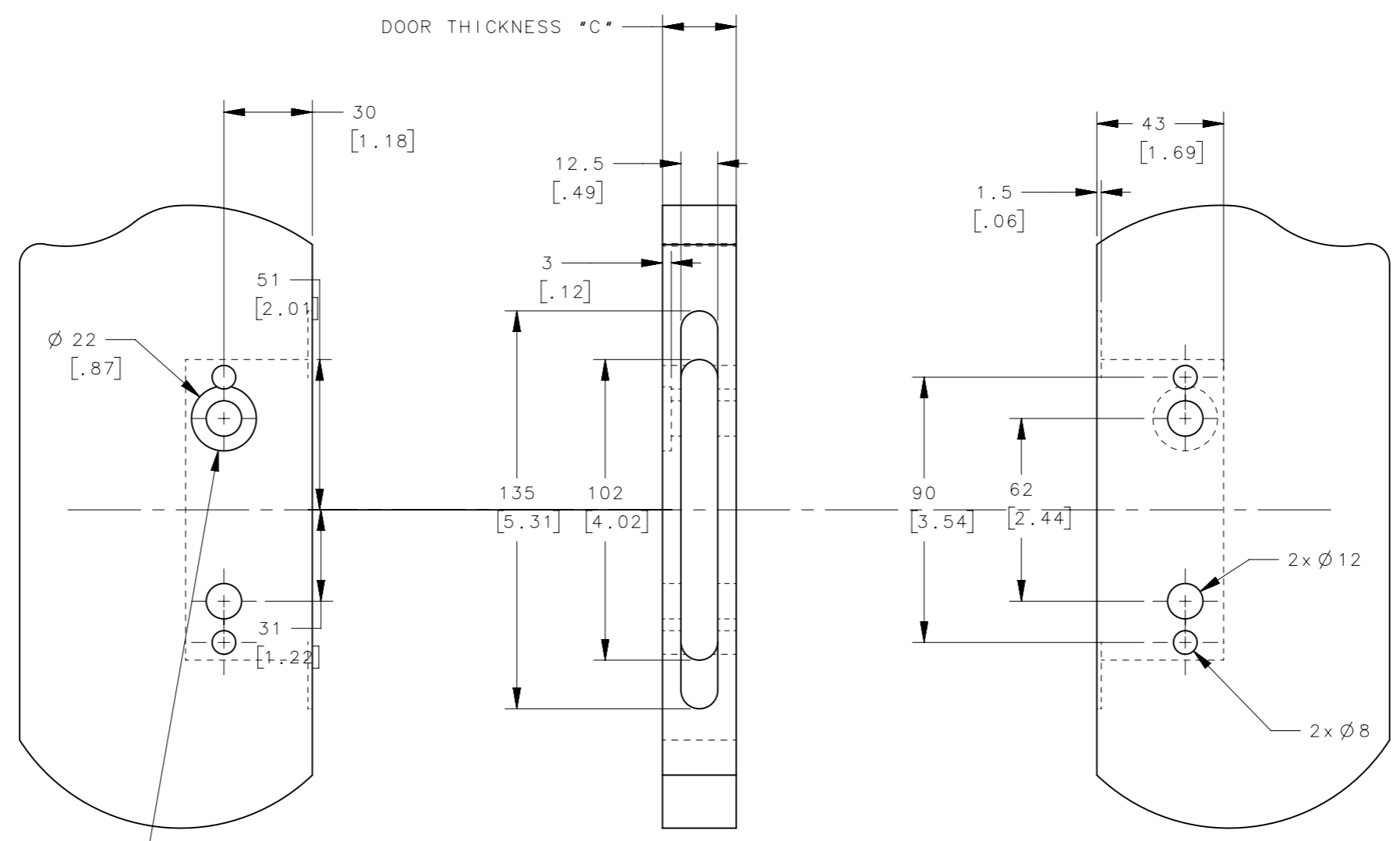
NOTES

- DOOR THICKNESS RANGE "C": 18 - 37mm [11/16 - 1 1/2"]
- FOR PANEL PREPARATIONS, SEE DRAWING NUMBER J-ME-02-AOC-YY SHEET 2.
- FOR AVAILABLE STRIKERS SEE: H-MC-90-2XX-YY, H-MC-90-3XX-YY AND H-MC-9590
- SEE SOUTHCO MARINE HANDBOOK FOR MORE DETAILED INSTALLATION INSTRUCTIONS.

THIRD ANGLE PROJECTION			
TOLERANCES UNLESS OTHERWISE NOTED	DESCRIPTION OFFSHORE MORTISE PRIVACY LOCKING		
ALL DIMENSIONS WITHOUT TOLERANCES ARE FOR REFERENCE ONLY.	SIZE A3	SYSTEM NX	DWG NO. J-ME-02-AOC-YY
PROPRIETARY ITEM EXCEPT FOR USES EXPRESSLY GRANTED IN WRITING, INFORMATION DISCLOSED HEREON IS CONFIDENTIAL AND ALL RIGHTS, PATENT AND OTHERWISE, ARE RESERVED BY SOUTHCO, INC.	PER ASME Y14.5M-1994	DRAWN BY RFA/DTB	DATE 13DEC2012
		SCALE 1:2	SHEET 1 OF 2

REVISION HISTORY			
REV	DATE	BY	DESCRIPTION
B	30DEC2014	RFA/DTB	PRN: P2014-2645

NOTE: PANEL PREPERATION FOR ASSEMBLIES ME-02-AOC-YY



Ø 22 [.87] DEPTH = 3 [1/8"] ON PRIVACY KNOB SIDE

THIRD ANGLE PROJECTION				southco [®] CONNECT • CREATE • INNOVATE		
TOLERANCES UNLESS OTHERWISE NOTED		DESCRIPTION				
ALL DIMENSIONS WITHOUT TOLERANCES ARE FOR REFERENCE ONLY.		OFFSHORE MORTISE PRIVACY LOCKING PANEL PREPERATION				
PROPRIETARY ITEM	PER ASME Y14.5M-1994	SIZE A3	SYSTEM NX	DWG NO. J-ME-02-AOC-YY		
EXCEPT FOR USES EXPRESSLY GRANTED IN WRITING, INFORMATION DISCLOSED HEREON IS CONFIDENTIAL AND ALL RIGHTS, PATENT AND OTHERWISE, ARE RESERVED BY SOUTHCO, INC.		DRAWN BY RFA/DTB	DATE 13DEC2012	SCALE 1:1	SHEET 2 OF 2	