

CABIN & COCKPIT ENTRY HARDWARE

MC Compact Cabin Door Lock

A



DOOR THICKNESS RANGE: 19 - 32mm (3/4" - 1-1/4")

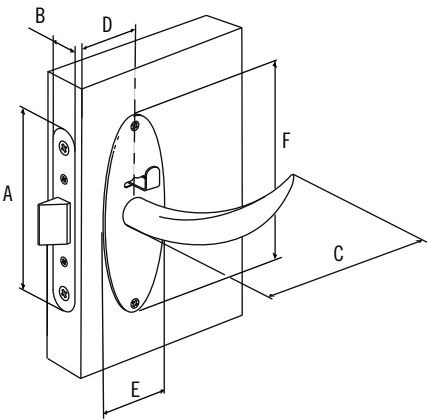
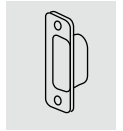
The Compact features a simple yet graceful design that works with all swing-door variations. The Compact is designed for Cabin, Stateroom, and Head-door applications.

- All marine-grade materials, including stainless steel and brass for superior corrosion resistance
- Emergency lock override
- Easy installation with rounded forends
- One part number for all swing-door variations

Available Options:

- Finish: Options include: Chrome with/without Brass accent, Satin
- Escutcheon Plates: "Long Island"
- Operation: Universal design fits all door swings
- Accessories
- Doorkeeper: Used to hold door open

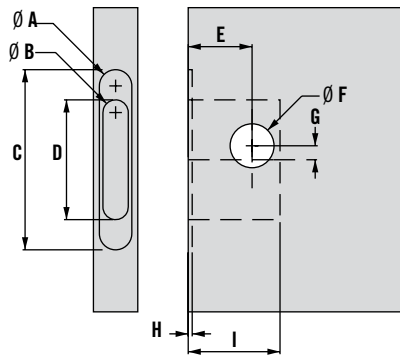
For strikers see page 23



F = Long Island

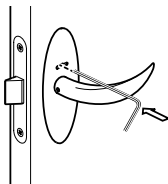
	Imperial		Metric
	Nominal	Decimal	
A	3 9/16	3.55	90
B	5/8	.63	16
C	3 5/16	3.31	84
D	1 1/4	1.26	32
E	1 3/8	1.38	35
F	3 13/16	3.82	97

Panel Preparation



	Compact Long Island		
	Imperial		Metric
	Nominal	Decimal	
A	5/8	.64	16
B	1/2	.50	13
C	3 9/16	3.553	90
D	2 3/8	2.362	60
E	1 17/64	1.26	32
F	7/8	.866	22
G	9/32	.276	7
H	5/64	.079	2
I	1 13/16	1.811	46

How to override a locked Compact door lock from the outside



For installation details see opposite page.

COMPACT PART NUMBERS						
Escutcheon Plate Finish	Privacy	Out	In	Left	Right	
Long Island, chrome	X	X	X	X	X	MC-01-120-10
Long Island, chrome, brass accent	X	X	X	X	X	MC-01-120-14
Long Island, satin	X	X	X	X	X	MC-01-120-20
Long Island, cast chrome,	X	X	X	X	X	MC-02-120-10



CABIN & COCKPIT ENTRY HARDWARE Doorkeeper

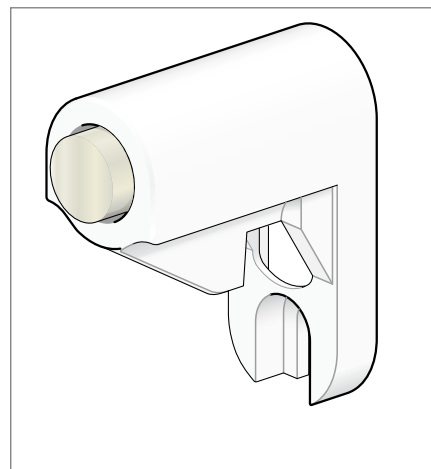
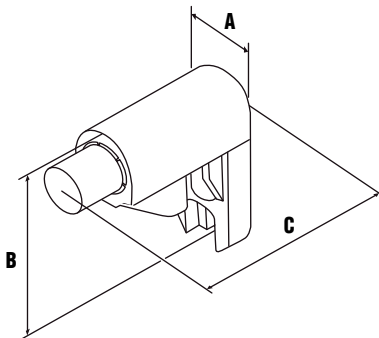
The Doorkeeper stops and holds doors open. They are designed to work with the McCoy, Offshore and Compact latches (see pages 12-15 and opposite).

- All Marine-grade ABS materials
- Damping/non-vibration feature keeps doors from rattling when held open
- Easy to install

Available Options:

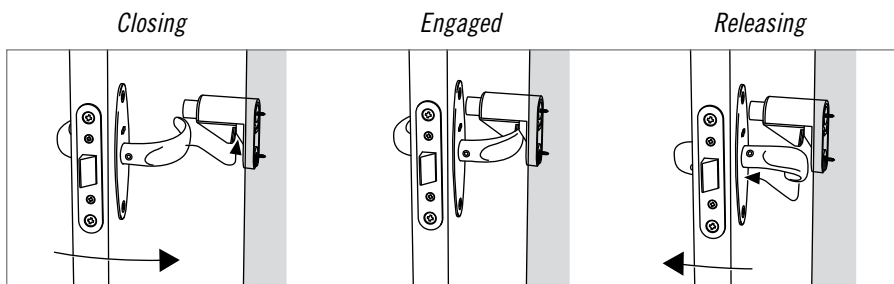
- Color: Available in black or white.

	Imperial		Metric
	Nominal	Decimal	
A	13/16	.787	20
B	1 7/8	1.898	48
C Offshore	1 15/16	1.913	49
C Compact	2 3/16	2.189	56



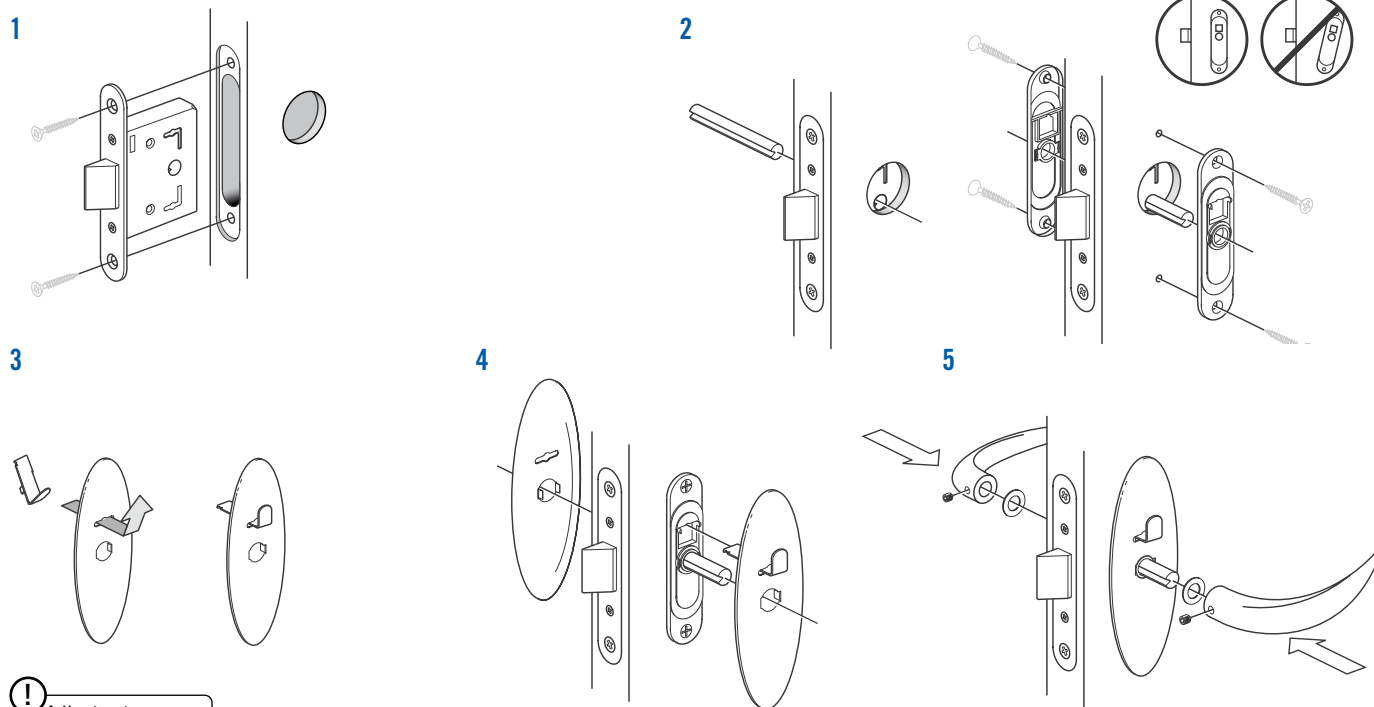
A

Operation



DOORKEEPER PART NUMBERS	
Offshore, Black	MC-91-102-50
Offshore, White	MC-91-102-70
Compact, Black	MC-91-101-50
Compact, White	MC-91-101-70

MC Compact Installation



! Adjust set screw to secure handle

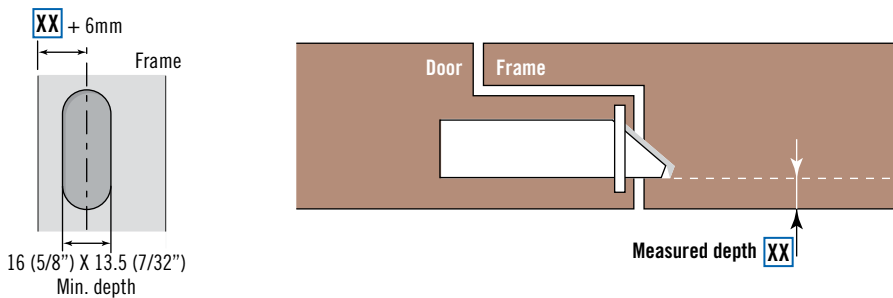


CABIN & COCKPIT ENTRY HARDWARE

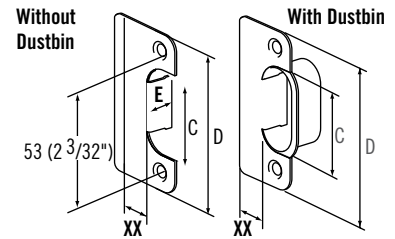
Strikers & Accessories

Striker

- M/S Strikers are suitable for the McCoy, Compact, Offshore and Omni swing door latches. They are available in seven different sizes and suitable for many door and frame configurations and door thicknesses
- The striker tongue holds the spring bolt and prevents it from being worn out due to vibrations from the boat
- You can choose to order the strikers with or without dustbin. The dustbin hides the sawdust in the cut out hole and provides an elegant finish to the frame edge
- The strikers are available both in brass and nickel plated brass finishes



To find the right striker for your application, measure the distance from the door face to the edge of the springbolt of the latch.



C		D		E	
Metric	Imperial	Metric	Imperial	Metric	Imperial
36	1 7/16	68	2 11/16	13	1/2

Part Number Selection

FF Finish ←
 10 Nickel
 40 Brass

Z Dustbin Option ←
 1 No Dustbin
 2 With Dustbin

MC - 90 - Z XX - FF

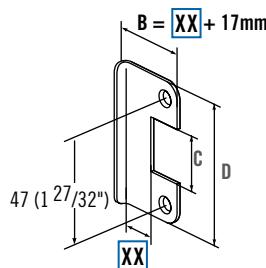
XX Position ←

03 3mm (7/64")	13 13mm (1/2")
05 5mm (3/16")	16 16mm (5/8")
07 7mm (1/4")	21 21mm (7/8")
09 9mm (3/8")	

Whale Striker

- The Whale striker is suitable for the Offshore, McCoy and Compact swing door latches. It allows for a very quick and easy installation
- The striker is available both in brass and stainless steel finishes and in seven different sizes to fit a wide variety of door and frame configurations

C		D	
Metric	Imperial	Metric	Imperial
60	2 3/8	22	7/8



Part Number Selection

FF Finish ←
 10 Nickel
 40 Brass

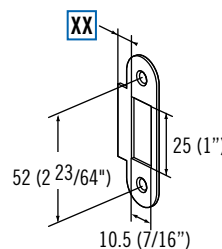
MC - 90 - 3 XX - FF

XX Position ←

03 3mm (7/64")	13 13mm (1/2")
05 5mm (3/16")	16 16mm (5/8")
07 7mm (1/4")	21 21mm (7/8")
09 9mm (3/8")	

Submarine Striker

- The Submarine striker is suitable for the McCoy, Compact and Offshore swing door latches
- The striker is available both in brass and nickel plated brass finishes. The two different sizes of the striker tongue accommodate different door thicknesses and door and frame configurations



XX		Brass	Nickel plated
Metric	Imperial		
4.8	3/16	MC-9572	MC-9574
9.5	3/8	MC-9598	MC-9590

