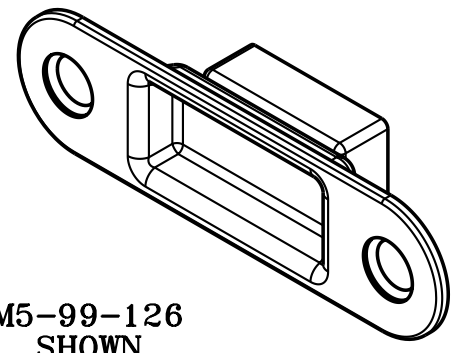
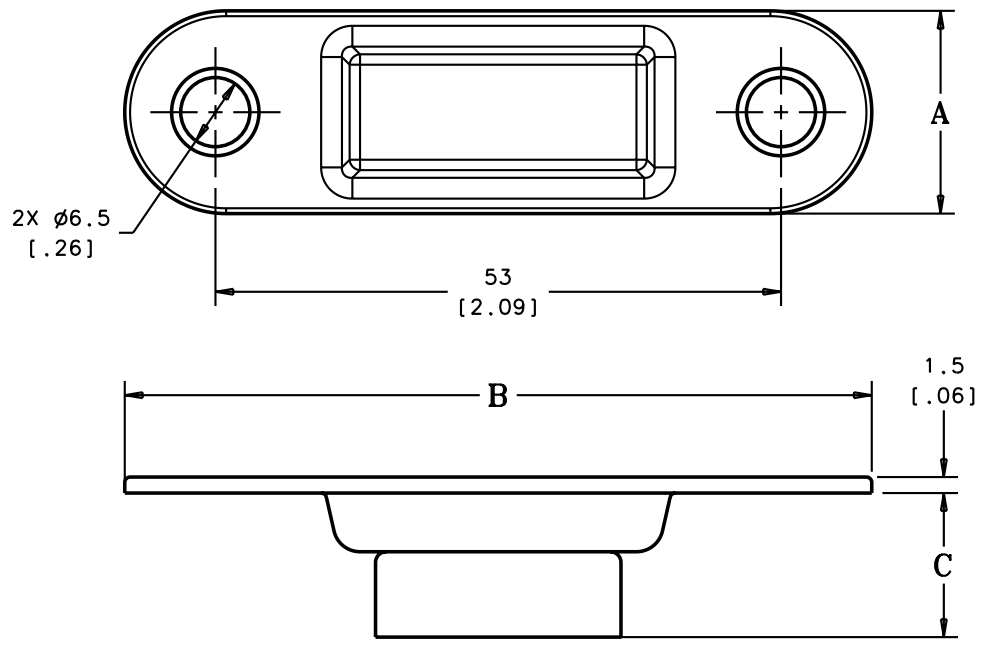


REVISION HISTORY			
REV	DATE	BY	DESCRIPTION



M5-99-126
SHOWN

STRIKER	MA-90-9121584-2	21 [.83]	70 [2.76]	6 [.24]	
STRIKER	MA-90-9507440-W	25 [.98]		10 [.39]	
STRIKER	M5-99-132	21 [.83]		10 [.39]	
STRIKER	M5-99-126	19 [.75]		13 [.51]	
ITEM	PART NUMBER	A	B	C	

NOTES:
MATERIAL AND FINISH:
A. STRIKER - 304 STAINLESS STEEL, POLISHED
MAGNET

THIRD ANGLE PROJECTION	 CONNECT · CREATE · INNOVATE				
			MILLIMETERS [IN]		
ALL DIMENSIONS WITHOUT TOLERANCES ARE FOR REFERENCE ONLY.	TITLE STRIKER FOR MAGNETIC DOOR LOCK				
	SIZE A4	SYSTEM IDEAS	DWG NO. J-M5-99-126		
PROPRIETARY ITEM EXCEPT FOR USES EXPRESSLY GRANTED IN WRITING, INFORMATION DISCLOSED HEREON IS CONFIDENTIAL AND ALL RIGHTS, PATENT AND OTHERWISE ARE RESERVED BY SOUTHCO, INC.	PER ASME Y14.5M-1994	DRAWN BY RLR	DATE 17DEC2007	SCALE 1:1	SHEET 1 OF 1

