



MA McCoy Swing Door Latch Privacy Knob

- Marine-grade materials to prevent corrosion
- Double springs keep handle from sagging
- Emergency lock override
- Privacy lock option

Material and Finish

Lock engine: Brass
 Handles, escutcheons, accents and privacy knob: Brass
 See Finish Table

Appearance:

Combine handles, escutcheon plates, and accent plates to customize the latch for your application. For unique styling combine the McCoy with a wide range of stylish Olivari handles. See page 525

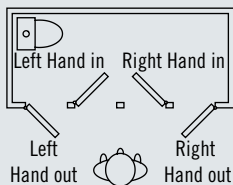
Handle Types:



Part Number Selection

(For Strikers please see page 531)

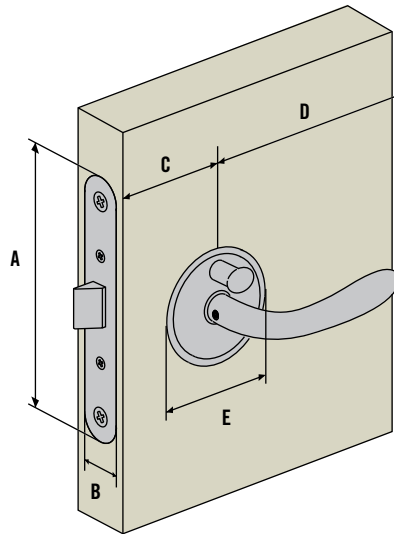
D Directional Door Swing:



Other options available. For complete details on variety, part numbers, installation and specification, go to

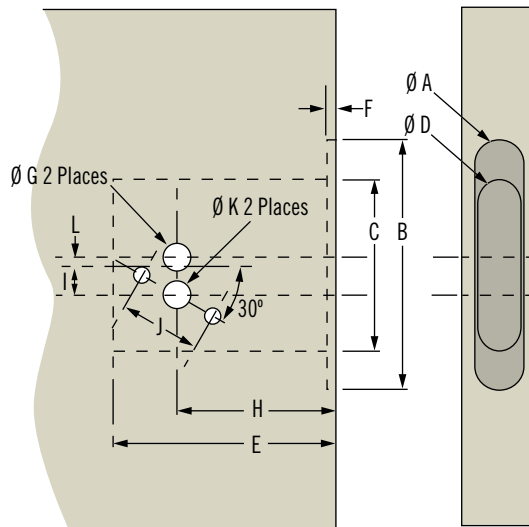
INFO CLIC www.southco.com/MA

Door Latch



	Imperial		Metric
	Nominal	Decimal	
A	3 29/32	3.91	99
B	41/64	.64	16
C	1 23/32	1.71	43.5
D	3 15/16	3.94	100
E	2 3/16	2.17	55

Panel Preparation



	Imperial		Metric
	Nominal	Decimal	
A	5/8	.64	8.2
B	3 29/32	3.91	99
C	2 31/64	2.48	63
D	1/2	.50	13
E	2 15/32	2.46	62.5
F	5/64	.08	2
G	5/8	.63	16
H	1 25/32	1.77	45
I	1/2	.50	12.5
J	1 3/32	1.09	27.7
K	1/4	.25	6.5

MA - BB - D L T - HH - FF

- D Directional**
- 2 Right Out
 - 3 Right In
 - 4 Left Out
 - 5 Left In
 - 6 Right Out - Left In
 - 7 Left Out - Right In

- L Locking Option**
- 0 Non Locking **D** = 6 or 7
 - 2 Privacy **D** = 2, 3, 4 or 5

- BB Latch Mechanism**
- 01 Standard Springbolt
 - 08 Double Springbolt

- HH Handle**
- 01 Nova
 - 02 Portofino
- FF Finish**
- 10 Chrome
 - 12 Chrome + Satin Accent
 - 14 Chrome + Brass Accent
 - 20 Satin
 - 21 Satin + Chrome Accent
 - 40 Diamond Brass

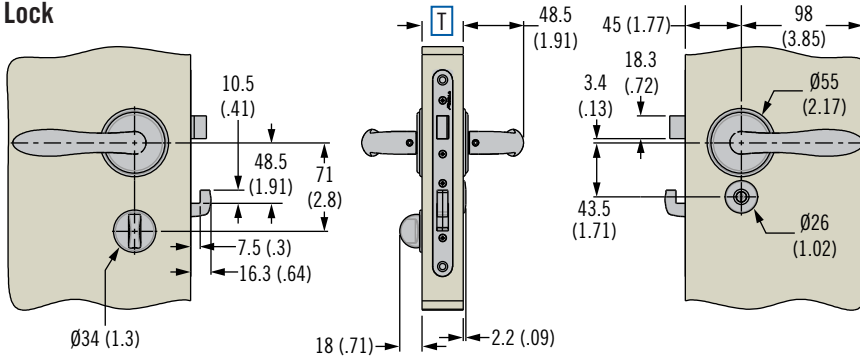
Dimensions in millimeters (inch) unless otherwise stated

MA McCoy Star Swing Door Latch

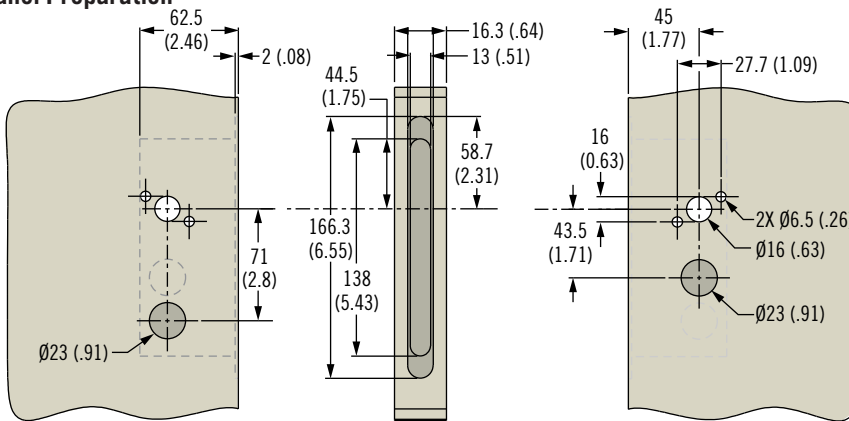
Key Locking Round Trim



Lock



Panel Preparation



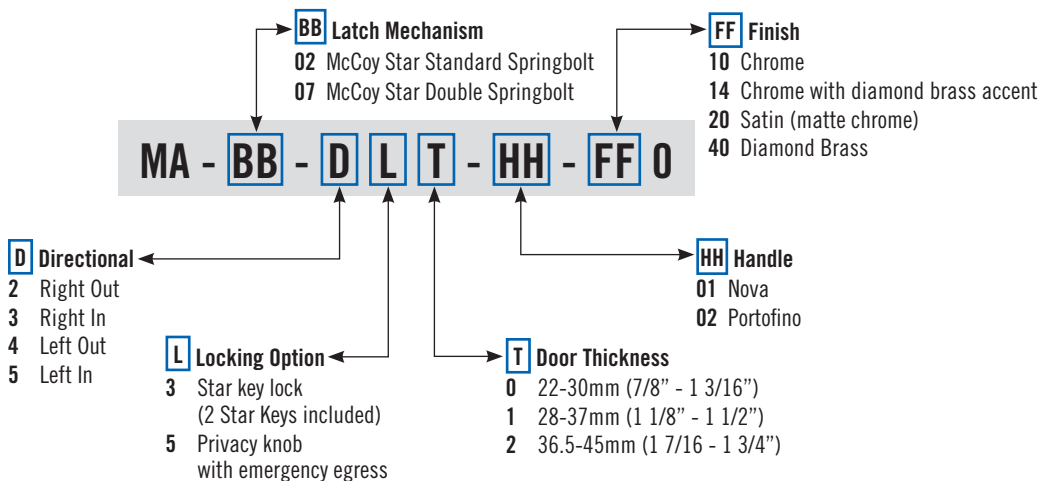
- Marine-grade materials to prevent corrosion
- Provide high-end security with the Star Key Lock system's three-axis six-pin tumbler design
- Prevent door lift-off with the Star Key Lock hooked locking mechanism that features an active locking deadbolt facing up
- Offer the option of an interior privacy knob with exterior override for non-locking applications

Material and Finish

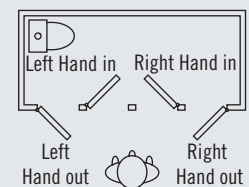
Lock engine: Brass
 Handles, escutcheons, accents and privacy knob: Brass
 See Finish Table

Part Number Selection

(For Strikers please see page 525)



Directional Door Swing:



Other options available. For complete details on variety, part numbers, installation and specification, go to



www.southco.com/MA



MA McCoy Swing Door Latch

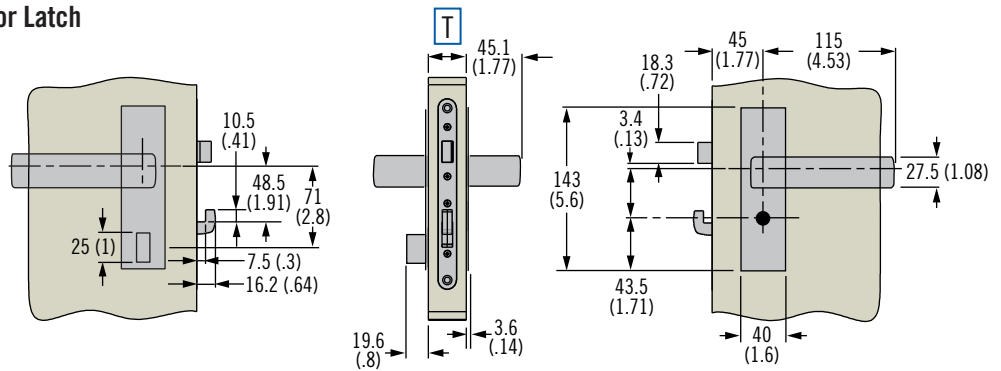
Key Locking Square Trim

- Marine grade materials to prevent corrosion
- Provide high-end security with the Star Key Lock system's three-axis six-pin tumbler design
- Prevent door lift-off with the Star Key Lock hooked mechanism, featuring an active locking deadbolt facing up

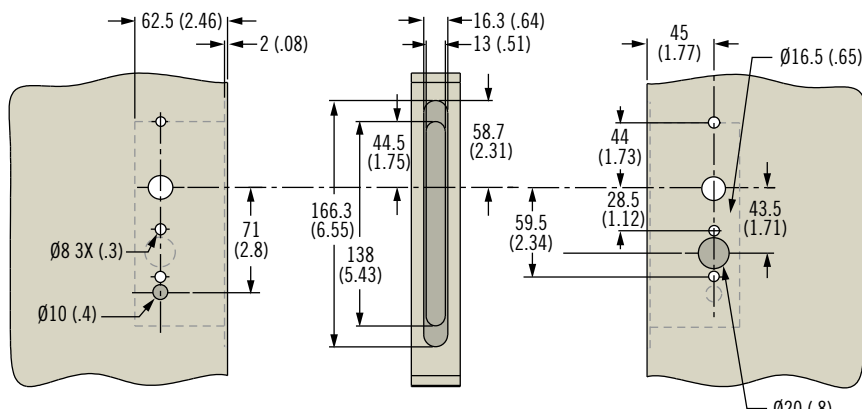
Material and Finish

Lock engine: Brass
 Handles, escutcheons, accents and privacy knob: Brass
 See Finish Table

Door Latch

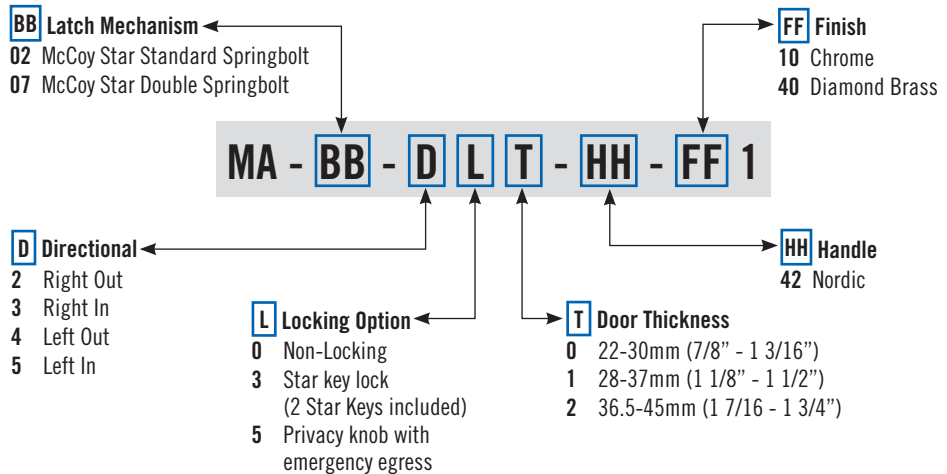


Panel Preparation

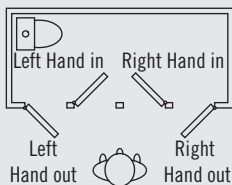


Part Number Selection

(For Strikers please see page 525)



D Directional Door Swing:



Other options available. For complete details on variety, part numbers, installation and specification, go to



Dimensions in millimeters (inch) unless otherwise stated

MA McCoy Swing Door Latch

Olivari handles



Olivari Handles

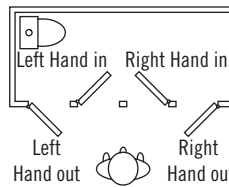
Let Southco Marine provide the perfect accent to your interior design. Award winning Olivari handles can be teamed with the world class McCoy lockset to provide the look and feel that set your design apart.

Part Number Selection

Please refer to McCoy Swing Door Latch for Base part number.

MA - BB - D L T - HHH - FF

HHH Handle
 Refer to Olivari website and literature for 3-digit handle code for example
 Aster = 174
 Sector = 186



167 Emilia



174 Aster



134 Torino



186 Sector



108 Uovo

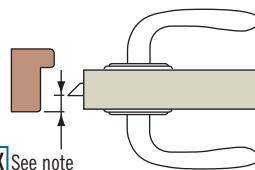


MA McCoy Swing Door Latch

Striker



Striker



XX See note

Note:
 Distance **XX** is measured from the edge of the frame to the spring bolt

Material and Finish

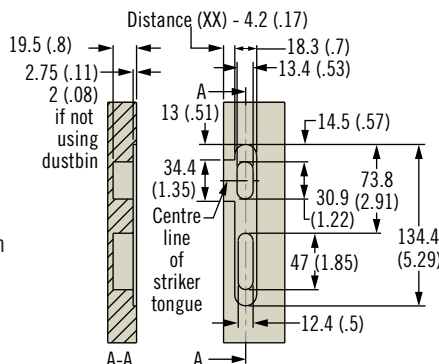
Striker: Brass, chrome plated

Part Number Selection

MC - 90 - 4 XX - Y - Z - 10

- XX** Position
 - 05 5mm (3/16")
 - 07 7mm (1/4")
 - 09 9mm (3/8")
 - 13 13mm (1/2")
 - 16 16mm (5/8")
 - 21 21mm (7/8")
- Y** Swing
 - 1 Right In/Left Out
 - 2 Left In/Right Out
- Z** Dustbin Option
 - 0 No Dustbin
 - 1 With Dustbin

Panel Preparation



Other options available. For complete details on variety, part numbers, installation and specification, go to



www.southco.com/MA