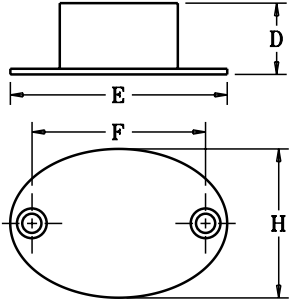
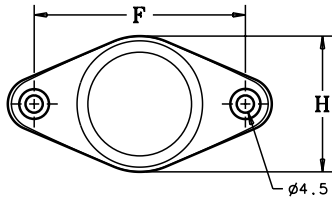


PROPRIETARY ITEM
EXCEPT FOR USES EXPRESSLY GRANTED
IN WRITING, INFORMATION DISCLOSED
HEREIN IS CONFIDENTIAL AND ALL
RIGHTS, PATENT AND OTHERWISE,
ARE RESERVED BY SOUTHCO, INC.

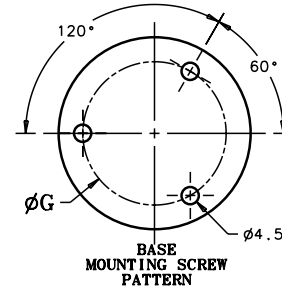
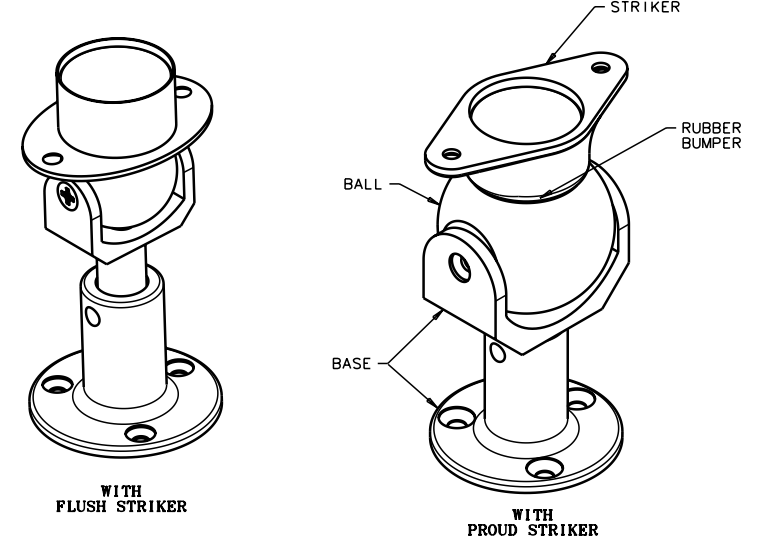
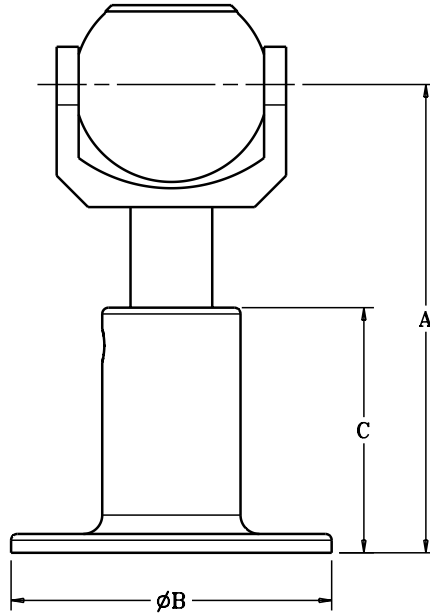
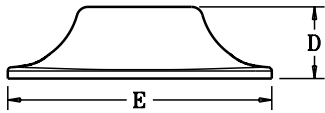
REVISION HISTORY				
REV	DATE	DRAWN	CHECKED	DESCRIPTION



STRIKER
FLUSH STYLE



STRIKER
PROUD STYLE



ASSEMBLY	M5-72-081-8	20x20	PROUD	20x10	89[3.5]	60[2.36]			15[.59]	46[1.81]	34[1.34]		3[.12]	4kGS
ASSEMBLY	M5-72-082-8	20x20	PROUD	30x15	89[3.5]	60[2.36]			19[.75]	70[2.76]	56[2.2]		3[.12]	5.5kGS
ASSEMBLY	M5-72-072-8	30x15	PROUD	30x15	95[3.74]	63[2.48]	51[2.01]	39[1.54]	19[.75]	70[2.76]	56[2.2]	38[1.5]	3[.12]	10.6kGS
ASSEMBLY	M5-72-084-8	20x20	FLUSH	30x15	101[3.98]	75[2.95]			19[.75]	57[2.24]	46[1.81]		1.5[.06]	4.5kGS
ASSEMBLY	M5-72-083-8	20x20	FLUSH	20x10	101[3.98]	75[2.95]			13[.51]	57[2.24]	39[1.54]		1.5[.06]	4.2kGS
ITEM	PART NUMBER	BALL	STRIKE	MAGNET SIZE	A-MAX	A-MIN	B	C	D	E	F	G	H	HOLDING POWER

NOTES:

A. MATERIAL AND FINISH:
- STRIKER, BASE, BALL:

CF-8M STAINLESS STEEL
(NOMINAL CAST EQUIVALENT
OF 316 STAINLESS STEEL) POLISHED.
BUNA, BLACK
304 STAINLESS STEEL, PASSIVATED

- RUBBER BUMPER:
- SCREWS:
- MAGNET:

THIRD ANGLE
PROJECTION



ALL DIMENSIONS WITHOUT
TOLERANCES ARE FOR
REFERENCE ONLY.

MILLIMETERS [IN]

VOLUME	MASS	DRWN/CHKD VMV/VGV	DATE 05OCT2007	SCALE 1:1	SHEET 1 OF 1
--------	------	----------------------	-------------------	--------------	-----------------

southco[®]
CONNECT. CREATE. INNOVATE.

TITLE
MAGNETIC DOOR HOLDER
ADJUSTABLE

SIZE
A3

SYSTEM
1-DEAS

DWG NO
J-M5-72-072