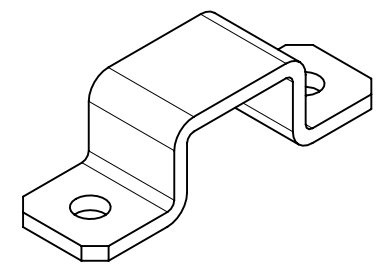
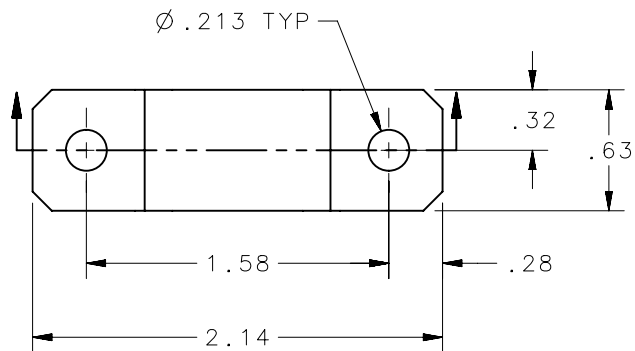
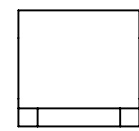
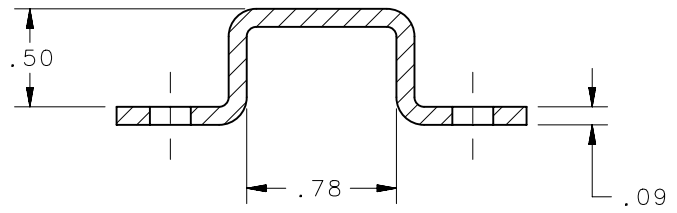


REVISION HISTORY			
REV	DATE	BY	DESCRIPTION
A	05JUL2012	CMS/CDW	PRN: P2012-0877



SCALE 1:1



NOTES:

A. ZINC PLATE, TRIVALENT CHROMATE PASSIVATE, RoHS COMPLIANT.

M3-51		STEEL		SEE NOTE "A"	
SOUTHCO PART NUMBER		MATERIAL		FINISH	
THIRD ANGLE PROJECTION		 CONNECT • CREATE • INNOVATE			
INCHES [MM]					
TOLERANCES UNLESS OTHERWISE NOTED		DESCRIPTION			
ALL DIMENSIONS WITHOUT TOLERANCES ARE FOR REFERENCE ONLY.		KEEPER			
<small>PROPRIETARY ITEM</small> <small>EXCEPT FOR USES EXPRESSLY GRANTED IN WRITING, INFORMATION DISCLOSED HEREON IS CONFIDENTIAL AND ALL RIGHTS, PATENT AND OTHERWISE, ARE RESERVED BY SOUTHCO, INC.</small>		SIZE	SYSTEM	DWG NO.	
PER ASME Y14.5M-1994		A	NX	J-M3-51	
		DRAWN BY	DATE	SCALE	SHEET
		JGK	13DEC94	1:1	1 OF 1